

FIGURE 14-1—TYPICAL STEERING GEARS - EXPLODED VIEW

FIGURE 14-1—TYPICAL STEERING GEARS - EXPLODED VIEW

Key	Part Name	Group	Key	Part Name	Group
1	Locknut, Shaft and Roller..	14.116	12	Roller and Cage, Worm Thrust	
2	Lockplate, Shaft and Roller	14.116		Bearing.....	14.114
3	Plug, Shaft and Roller Oil.	14.118	13	Column and Worm.....	14.110
4	Bolt, Cover.....	14.104	14	Cup, Worm Thrust Bearing	
5	Cover, Shaft and Roller....	14.118		(Lower).....	14.112
6	Thrustwasher, Shaft and		15	Shim.....	14.110
	Roller.....	14.116	16	Cover Ass'y., Housing End..	14.104
7	Screw, Roller Shaft		17	Housing Ass'y. ....	14.102
	Adjusting.....	14.116	18	Seal, Roller Shaft.....	14.116
8	Gasket, Shaft Cover.....	14.118	19	Arm, Lever (Pitman).....	14.200
9	Shaft and Roller.....	14.116	20	Lockwasher, Lever Arm.....	14.200
10	Bushing, Roller Shaft.....	14.102	21	Nut, Lever Arm.....	14.200
11	Cup, Worm Thrust Bearing		22	Nut, Steering Wheel.....	14.126
	(Upper).....	14.112			



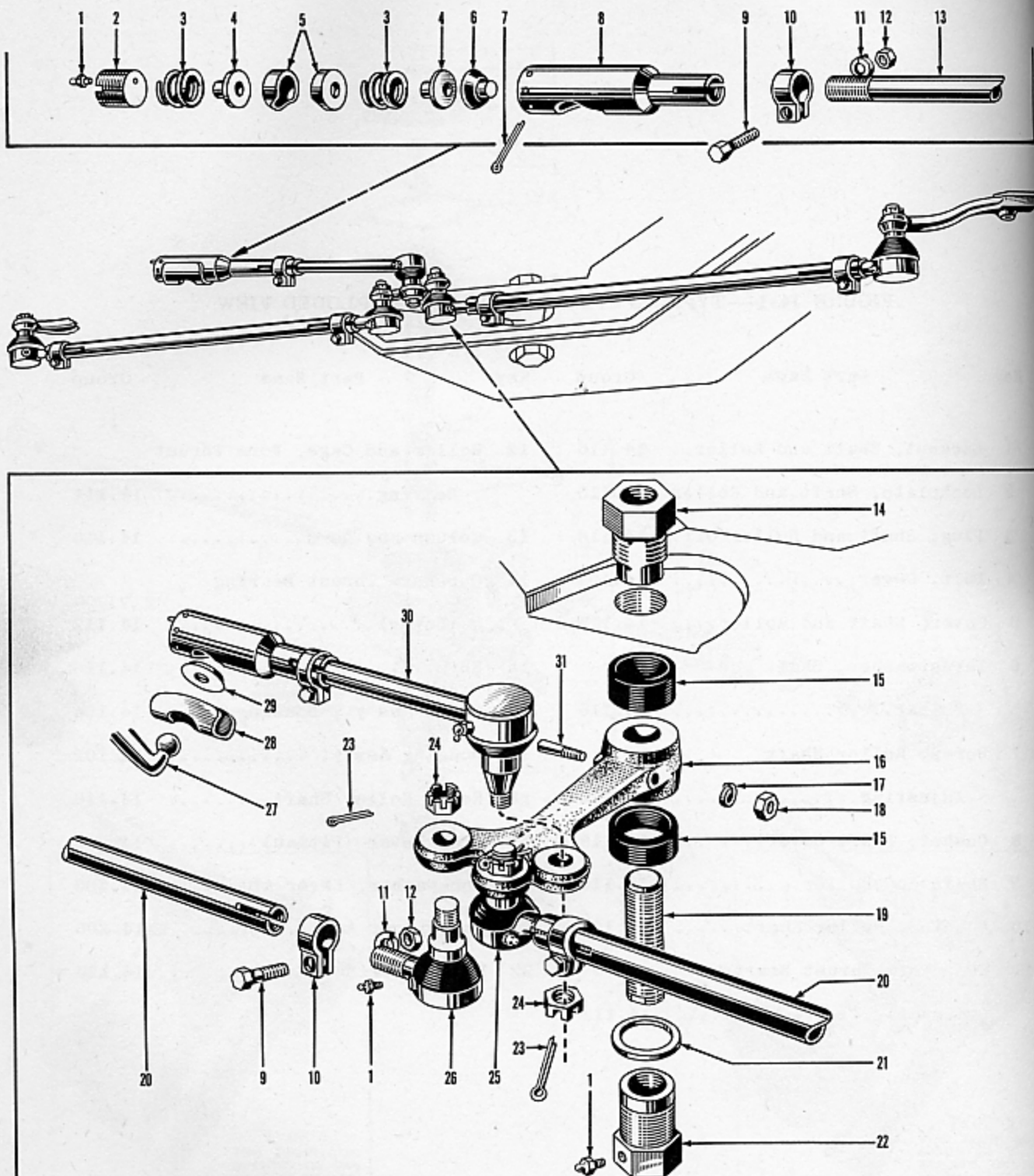


FIGURE 14-2—STEERING CONTROL - EXPLODED VIEW

FIGURE 14-2—STEERING CONTROL - EXPLODED VIEW

Key	Part Name	Group	Key	Part Name	Group
1	Oiler, Drag Link Socket..	14.210	16	Lever, Idler.....	14.212
2	Plug, Drag Link Socket...	14.210	17	Lockwasher.....	14.212
3	Spring, Drag Link Socket.	14.210	18	Nut.....	14.212
4	Bumper, Drag Link Socket.	14.210	19	Pin, Idler Lever.....	14.212
5	Bearing, Drag Link Socket	14.210	20	Tie Rod Ass'y. ....	14.216
6	Seat, Drag Link Socket...	14.210	21	Washer, Idler Lever	
7	Cotter Pin, Drag Link			Bushing.....	14.214
	Socket.....	14.210	22	Bushing, Idler Lever -	
8	Socket, Drag Link.....	14.206		Lower.....	14.214
9	Bolt.....	14.208	23	Cotter Pin.....	14.216
10	Clamp.....	14.208	24	Nut.....	14.216
11	Lockwasher.....	14.208	25	End, Tie Rod L.H. Thread.	14.216
12	Nut.....	14.208	26	End, Tie Rod R.H. Thread.	14.216
13	Rod (Incl. in Drag Link		27	Arm (Pitman).....	14.200
	Ass'y.).....	14.202	28	Shield, Drag Link.....	14.204
14	Bushing, Idler Lever -		29	Cover, Drag Link.....	14.204
	Upper.....	14.214	30	Link, Drag.....	14.202
15	Seal, Idler Lever.....	14.214	31	Lockpin.....	14.212

## STEERING GEAR

FIGURE NUMBER	GROUP	PART NAME and DESCRIPTION	PART NUMBER	QTY.	MODELS	
14.100 - STEERING GEAR						
		Gear (incl. Column and Shaft).....	202756	1	All	
		Bolt.....	201169	3	All	
		Shim.....	244	*	All	
		Flatwasher.....	201170	3	All	
		Nut.....	202257	3	All	
		Bolt, 7/16" - 14 x 1	} No. 2 Gear See Illust. No. 14-1.	} 213	} 1	} F47, F47C, K100
		1/8" Hx. Hd. ....				
		Bolt, 7/16" - 14 x 4				
		1/2" Hx. Hd. ....				
		Bolt, 7/16" - 14 x 4"				
		Hx. Hd. ....				
		Flatwasher, 7/16" Sm. .				
		Lockwasher, 7/16".....				
		Seat, Lower Bolt.....				
		Gear (R.H.D.).....				
		Bolt.....	203575	1	F485, K481	
		Bolt, up to Serial F485-5878, K481-21823	203513	1	F485, K481	
		Bolt.....	203576	2	F485, K481	
		Flatwasher.....	201471	3	F485, K481	
		Lockwasher, 7/16".....	193	3	F485, K481	
14.102 - STEERING GEAR HOUSING						
14-1-17		Housing (incl. Shaft Bushings and Upper Brg. Cup) used on No. 1 Gear.....	201184	1	F47, K100	
14-1-10		Bushing.....	201196	2	F47, K100	
		Housing (incl. Shaft Bushings and Upper Brg. Cup) used on No. 2 Gear.....	202848	1	F47, F47C, K100	
		Bushing.....	202849	2	F47, F47C, K100	
		Housing (incl. Shaft Bushing and Upper Brg. Cup) used on No. 3 Gear.....	202757	1	All	
14-1-10		Bushing.....	201196	2	All	
		Housing (incl. Shaft Bushings and Upper Brg. Cup) (R.H.D.).....	203577	1	F485, K481	
		Bushing.....(R.H.D.).....	203578	2	F485, K481	
		Plug, Oil.....(R.H.D.).....	201204	1	F485, K481	
14.104 - STEERING GEAR HOUSING END COVER						
14-1-16		Cover (incl. Grease Tube).....	201193	1	All	
		Bolt, 5/16" - 18 x 5/8" Hx. Hd. ....	201194	4	All	
		Lockwasher, 5/16" Ext. Tooth.....	348	4	All	
14.106 - STEERING COLUMN JACKET						
		Jacket (incl. Brg. and Reinf.).....	201172	1	F47, F485, K101, K482	
		Jacket (incl. Brg. and Reinf.).....	202498	1	K100, K481	
		Jacket (incl. Brg. and Reinf.).....	202497	1	F47C, F486	
		Jacket (incl. Brg. and Reinf.) (Prime)....	203579	1	F485	
		Jacket (incl. Brg. and Reinf.) (Prime)....	203580	1	K481	
		Clamp.....	201173	1	All	
		Bolt, 5/16" - 24 x 1 7/8".....	201174	1	All	
		Lockwasher, 5/16" Med. ....	240	1	All	
		Nut, 5/16" - 24 Hx. ....	189	1	All	
		Reinforcement.....	201176	1	All	
		Sleeve (to Str. Gear Housing) (used with No. 2 Gear).....	202850	1	F47, F47C, K100	

\*As required

## STEERING GEAR

14

FIGURE NUMBER	GROUP	PART NAME and DESCRIPTION	PART NUMBER	QTY.	MODELS
14.108 - STEERING COLUMN JACKET BEARING					
		Bearing.....	201177	1	All
		Spacer.....	201178	1	All
		Spring.....	201179	1	All
14.110 - STEERING GEAR COLUMN AND WORM					
		Column and Worm.....	201185	1	F47, F47C, K100
14-1-13		Column and Worm.....	202764	1	All
		Column and Worm (R.H.D.).....	203581	1	F485, K481
14-1-15		Shim, .002.....	201190	*	All
14-1-15		Shim, .005.....	201191	*	All
14-1-15		Shim, .010.....	201192	*	All
14.112 - STEERING GEAR WORM THRUST BEARING CUP					
14-1-11		Cup, Upper.....	201188	1	All
14-1-14		Cup, Lower.....	201189	1	All
14.114 - STEERING GEAR WORM THRUST BEARING ROLLER AND CAGE					
14-1-12		Roller and Cage.....	201187	2	All
14.116 - STEERING GEAR SHAFT AND ROLLER					
		Shaft and Roller (used on No. 1 Gear).....	201195	1	F47, K100
		Shaft and Roller (used on No. 2 Gear).....	202851	1	F47, F47C, K100
14-1-9		Shaft and Roller (used on No. 3 Gear).....	202759	1	All
		Shaft and Roller (R.H.D.).....	203582	1	F485, K481
14-1-18		Seal (used on No. 1 and 3 Gears).....	201197	1	All
		Seal (used on No. 2 Gear).....	202852	1	F47, F47C, K100
		Seal (R.H.D.).....	203589	1	F485, K481
14-1-7		Screw, Adjusting, 1/2" - 20.....	201198	1	All
14-1-1		Locknut, 1/2" - 20 Hx. ....	201200	1	All
14-1-2		Lockplate.....	201199	1	All
		Thrustwasher (used on No. 1 and 2 Gears)..	201201	1	F47, F47C, K100
14-1-6		Thrustwasher (used on No. 3 Gear).....	202760	1	All
14.118 - STEERING GEAR SHAFT COVER					
		Cover (used on No. 1 and 2 Gears).....	201202	1	F47, F47C, K100
14-1-5		Cover (used on No. 3 Gear).....	202761	1	All
		Bolt, 5/16" - 18 x 5/8".....	201194	4	All
		Lockwasher, 5/16" Ext. Tooth.....	348	4	All
14-1-3		Plug, Oil.....	201204	1	All
14-1-8		Gasket.....	201203	1	All
		Cover (R.H.D.).....	203573	1	F485, K481
14.120 - STEERING GEAR SUPPORT BRACKET AND CAP					
		Bracket and Cap (Prime).....	201175	1	All
9-3-18		Bracket..... (Prime).....	203349	1	F485, F486, K481, K482
9-3-19		Cap..... (Prime).....	203350	1	F485, F486, K481, K482
		Bracket and Cap (Prime) (R.H.D.).....	203583	1	F485, K481

\*As required

FIGURE NUMBER	GROUP	PART NAME and DESCRIPTION	PART NUMBER	QTY.	MODELS
14.120 - STEERING GEAR SUPPORT BRACKET AND CAP (CONT'D.)					
		Bolt, 1/4" - 20 x			
		1 Hx. Soc. ....	Cap to Bracket	490	1 All
		Bolt (R.H.D.).....		490	2 F485, K481
		Bolt, 1/4" - 20 x	Bracket		
		1 1/2" Hx. Soc. ....		491	1 All
		Lockwasher, 1/4" Med. ...		190	2 All
9-3-17		Bolt, 3/8" - 24 x 2 3/4"			
		Hx. Hd. ....	Bracket	425	2 F47, K100
9-3-17		Bolt, 3/8" - 24 x 1 1/2"			
		Hx. Hd. ....	to Brace	494	2 All
		Flatwasher, 3/8" Sm. ....		247	4 All
		Lockwasher, 3/8" Med. ....		192	2 All
		Nut, 3/8" - 24 Hx. ....		188	2 All
		Bolt, 3/8" - 24 x 1 1/2"	to Instrument Panel		
		Hx. Hd. ....		494	2 All
		Flatwasher, 3/8" Sm. ....		247	4 All
		Lockwasher, 3/8" Med. ....		192	2 All
		Nut, 3/8" - 24 Hx. ....		188	2 All
		Insulator.....	201228	1	All
		Anti-Squeak.....	202091	1	All
14.122 - STEERING GEAR JACKET COVER					
		Cover, Right.....	201180	1	F47, F485, K101, K482
		Screw, No. 8 - 18 x 1/4" Bind.Hd. ....	492	4	F47, F485, K101, K482
		Cover, Left.....	201181	1	F47, F485, K101, K482
		Screw (Chrome) No. 6 - 18 x 1/4" Bind. Hd. ....	493	4	F47, F485, K101, K482
9-3-21		Seal, Upper.....	201182	1	F47, F485, K101, K482
		Seal, Lower (L.H.D. and R.H.D.).....	201183	1	F47, F485, K101, K481, K482
		Cover.....	202499	1	F47C, F486
		Screw, No. 8 - 18 x 1/4" Bind. Hd. Tap. ....	492	2	F47C, F486
		Seal, Lower.....	202762	1	F47C, F486
		Cover (Prime)(R.H.D.).....	203734	1	F485
		Cover (Prime)(R.H.D.).....	203735	1	K481
		Screw, No. 10 - 12 x 1/2" Oval Hd. Cr. Rec. Tap. ....	441	3	F485, K481
		Washer (Chrome).....	203613	3	F485, K481
		Seal, Upper (R.H.D.).....	203585	1	F485, K481
14.124 - STEERING GEAR DASH PANEL PAD					
		Pad, Upper (Rubber).....	202368	1	All
		Pad, Lower (Rubber).....	202369	1	All
		Pad, Right (R.H.D.).....	203586	1	F485, K481
		Pad, Left (R.H.D.).....	203590	1	F485, K481
		Screw, No. 10 - 24 x 1 1/2" Oval Hd. Cr. Rec. ....	560	2	F485, K481
		Reinforcement.....	200511	1	All
		Screw, No. 10 - 16 x 3/8" Bind. Hd. Cr. Rec. ....	594	2	All
		Reinforcement (R.H.D.).....	203591	1	F485, K481
		Screw, No. 10 - 12 x 1/2" Rd. Hd. Cr. Rec. Tap. ....	648	4	F485, K481

## STEERING GEAR

14

FIGURE NUMBER	GROUP	PART NAME and DESCRIPTION	PART NUMBER	QTY.	MODELS
14.126 - STEERING WHEEL					
7-7-10		Wheel (Sandtone Beige).....	201977	1	F47, F485, K100
		Wheel (Jasper Green).....	203115	1	F47, F485, K101, K482
		Wheel (Broadcast Blue).....	203114	1	F47, F485, K101, K482
		Wheel (Magenta Maroon).....	203113	1	F47, F485, K101, K482
		Wheel (Linden Green).....	203569	1	K101, K482
		Wheel (Horizon Blue).....	203571	1	K101, K482
		Wheel (Saddle Bronze).....	203570	1	K101, K482
		Wheel (Willow Green).....	202907	1	K100, K481
		Wheel (Cloud Toupe).....	202908	1	K100, K481
		Wheel (Sandtone Beige).....(incl. Pins)..	202460	1	F47C, F486
		Wheel (Magenta Maroon).....(incl. Pins)..	202803	1	F47C, K486
		Wheel (Teal Blue).....(incl. Pins)..	202804	1	F47C, F486
		Wheel (Broadcast Blue).....(incl. Pins)..	202805	1	F47C, F486
		Wheel (Jasper Green).....(incl. Pins)..	202806	1	F47C, F486
		Wheel (Hickory Brown).....(incl. Pins)..	202807	1	F47C, F486
		Wheel (Wedgewood Blue).....(incl. Pins)..	202808	1	F47C, F486
14-1-22		Nut, 5/8" - 18 Hx. ....	201206	1	All
14.200 - STEERING GEAR LEVER ARM (PITMAN)					
		Arm (used with No. 1 and 2 Steering Gears)	201215	1	F47, F47C, K100, K101
14-1-19		Arm (used with No. 3 Steering Gear).....	202674	1	All
		Arm.....(R.H.D.).....	203592	1	F485, K481
14-1-20		Lockwasher, 7/8".....	201216	1	All
14-1-21		Nut, 7/8" - 14 Hx. ....	201207	1	All
14.202 - STEERING DRAG LINK					
		Link, up to Serial F47-12012, K100-19988..	201218	1	F47, K100
14-2-30		Link, after Serial F47-12012, K100-19988..	202076	1	All
		Link, (used with No. 2 Steering Gear).....	202854	1	F47, F47C, K100, K101
		Link.....(R.H.D.).....	203587	1	F485, K481
14-2-24		Nut.....	486	1	All
14-2-23		Cotterpin.....	480	1	All
14.204 - STEERING DRAG LINK STUD COVER					
14-2-29		Cover, Steering Gear End.....	201519	1	All
14-2-28		Shield, Steering Gear End.....	201520	1	All
		Cover, Idler Lever End.....	201219	1	All
14.206 - STEERING DRAG LINK SOCKET					
		Socket, up to Serial F47-12012, K100-19988 (90° Oiler at bottom).....	201220	1	F47, K100
14-2-8		Socket, after Serial F47-12012, K100-19988 (Straight Oiler at end).....	202077	1	All
14.208 - STEERING DRAG LINK SOCKET CLAMP					
14-2-10		Clamp.....	201221	1	All
14-2-9		Bolt, 5/16" - 24 x 1 7/16" Hx. Hd. ....	201222	1	All
14-2-11		Lockwasher, 5/16" Hy. ....	191	1	All
14-2-12		Nut, 5/16" - 24 Hx. ....	189	1	All



## STEERING GEAR

FIGURE NUMBER	GROUP	PART NAME and DESCRIPTION	PART NUMBER	QTY.	MODELS
14.210 - STEERING DRAG LINK END SOCKET					
14-2-5		Bearing.....	201226	2	All
14-2-3		Spring.....	201225	2	All
14-2-6		Seat.....	201223	1	All
14-2-4		Bumper.....	201224	2	All
		Plug, up to Serial F47-12012, K100-19988..	201227	1	F47, K100
14-2-2		Plug, after Serial F47-12012, K100-19988..	202078	1	All
14-2-7		Cotterpin, 1/8" x 1 3/4".....	496	1	All
		Oiler (Gear End)....	202092	1	F47, K100
		Oiler (Gear End)....	202575	1	F47, K100
		Oiler (Idler Lever..	202144	1	F47, K100
		End).....			
14-2-1		Oiler (Gear and Idler Lever Ends) after Serial F47-12012, K100-19988.....	202121	2	All
14.212 - STEERING IDLER LEVER					
		Lever, up to Serial F47-12012, K100-19988.	201229	1	F47, K100
14-2-16		Lever, after Serial F47-12012, K100-19988.	202093	1	All
		Lever (R.H.D.).....	203588	1	F485, K481
14-2-19		Pin, 7/8" - 11 x 3 7/8".....	201231	1	All
14-2-31		Lockpin, 2 5/32" Long 23/64" Dia. Lg. End, 3/8" - 24.....	203003	1	All
14-2-31		Lockpin, 2 5/32" Long 3/8" Dia. Lg. End, 3/8" - 24.....	203002	1	All
14-2-17		Lockwasher, 3/8" Med. ....	192	1	All
14-2-18		Nut, 3/8" - 24 Hx. ....	188	1	All
14.214 - STEERING IDLER LEVER BUSHING					
14-2-14		Bushing, Upper.....	201233	1	All
14-2-22		Bushing, Lower.....	201234	1	All
14-2-21		Washer.....	202094	2	All
14-2-15		Seal.....	201232	2	All
14-2-1		Oiler.....	202121	1	All
14.216 - STEERING TIE ROD					
14-2-20		Tie Rod (incl. Seals and Nuts).....	201235	2	All
14-2-26		End, R.H. Thr. ....	201236	2	All
14-2-25		End, L.H. Thr. ....	201237	2	All
14-2-24		Nut, 1/2" - 20 Hx. Sl. ....	486	4	All
14-2-23		Cotterpin, 3/32" x 1".....	480	4	All
14-2-10		Clamp.....	201221	4	All
14-2-9		Bolt, 5/16" - 24 x 1 7/16".....	201222	4	All
14-2-11		Lockwasher, 5/16" Hy. ....	191	4	All
14-2-12		Nut, 5/16" - 24 Hx. ....	189	4	All