

FIGURE 30-1—BODY SHELL - EXPLODED VIEW

FIGURE 30-1—BODY SHELL - EXPLODED VIEW

Key	Part Name	Group	Key	Part Name	Group
1	Hood.....	18.100	13	Pan, Rear Floor.....	30.058
2	Panel, Roof.....	30.052	14	Panel, Rocker.....	30.056
3	Shell, Body.....	30.050	15	Board, Instrument.....	30.402
4	Lid, Deck.....	30.062	16	Pillar, Front Hinge.....	30.038
5	Panel, Rear Quarter.....	30.040	17	Cowl.....	30.054
6	Door, Rear.....	30.120	18	Shield, Fender Splash.....	18.010
7	Door, Front.....	30.102	19	Extension, Grille Panel.....	6.491
8	Pillar, Rear Lock.....	30.038	20	Shroud, Radiator.....	6.480
9	Panel, Outer Wheelhouse.....	30.040	21	Panel, Radiator Grille.....	6.490
10	Pillar, Center.....	30.038	22	Panel, Lower Shroud.....	6.485
11	Fender, Front.....	18.000	23	Baffle, Shroud.....	6.482
12	Riser, Rear Seat.....	30.058	24	Weatherstrip.....	6.482

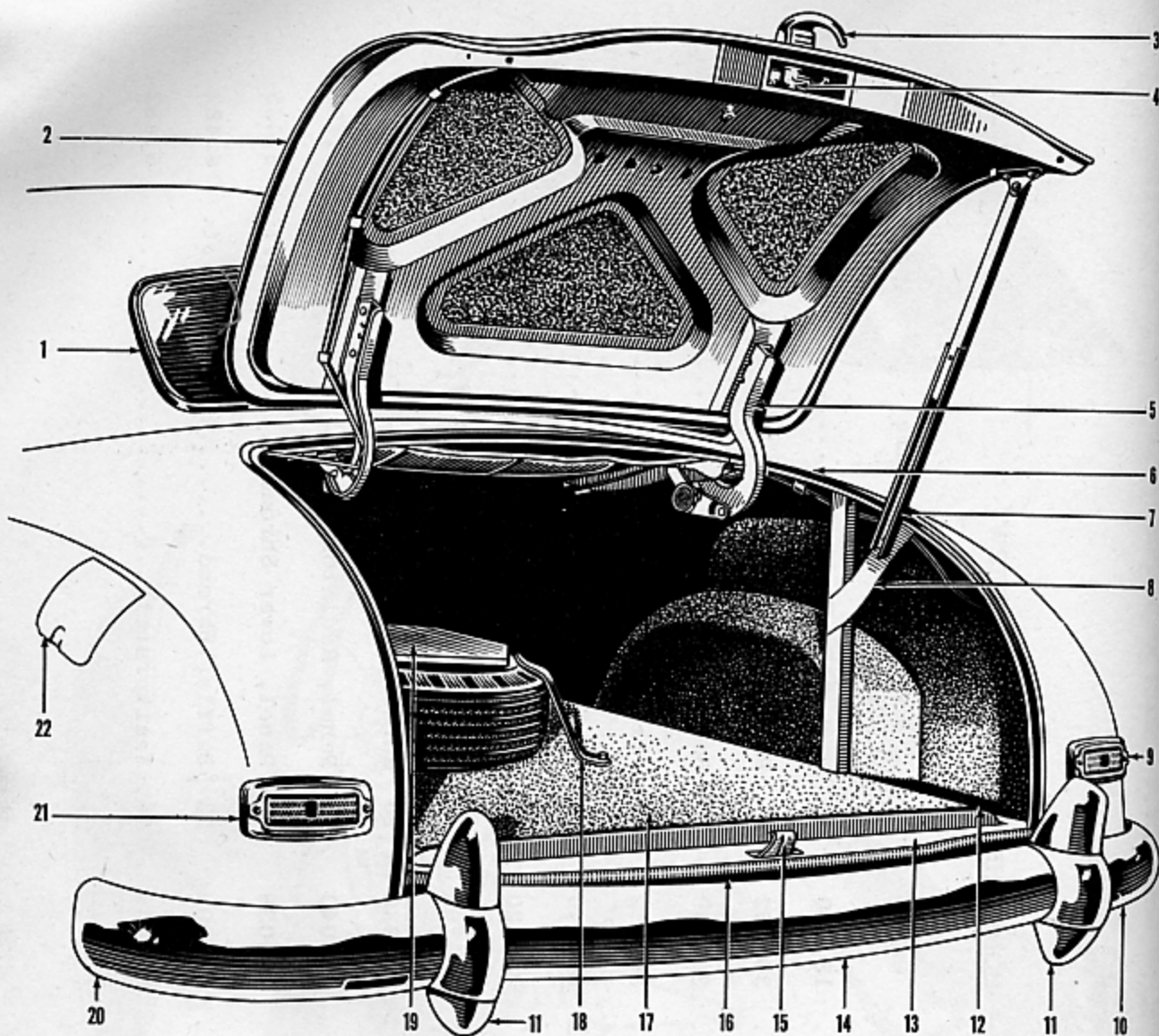


FIGURE 30-2—REAR DECK LID - ASSEMBLED VIEW

Key	Part Name	Group	Key	Part Name	Group
1	Weatherstrip, Rear Window..	30.500	12	Weatherstrip, Tool Compartment.....	30.042
2	Lid, Rear Deck.....	30.062	13	Panel, Lower Deck.....	30.058
3	Handle, Deck Lid.....	30.068	14	Bar, Center Bumper.....	20.250
4	Latch, Deck Lid Lock.....	30.074	15	Plate, Lid Latch Striker...	30.074
5	Hinge, Deck Lid.....	30.064	16	Weatherstrip, Drain Trough-Lower.....	30.062
6	Weatherstrip, Rear Drain Trough-Upper.....	30.062	17	Mat, Rear Compartment.....	30.630
7	Prop, Deck Lid.....	30.064	18	Clamp, Spare Tire.....	16.030
8	Bracket, Deck Lid Prop- Lower.....	30.064	19	Shelf, Rear Luggage.....	30.044
9	Light, Tail and Stop, Right	7.570	20	Bar, Left End Bumper.....	20.250
10	Bar, Right End Bumper.....	20.250	21	Light, Tail and Stop, Left.	7.570
11	Guard, Rear Bumper.....	20.260	22	Cover, Filler Neck.....	30.040

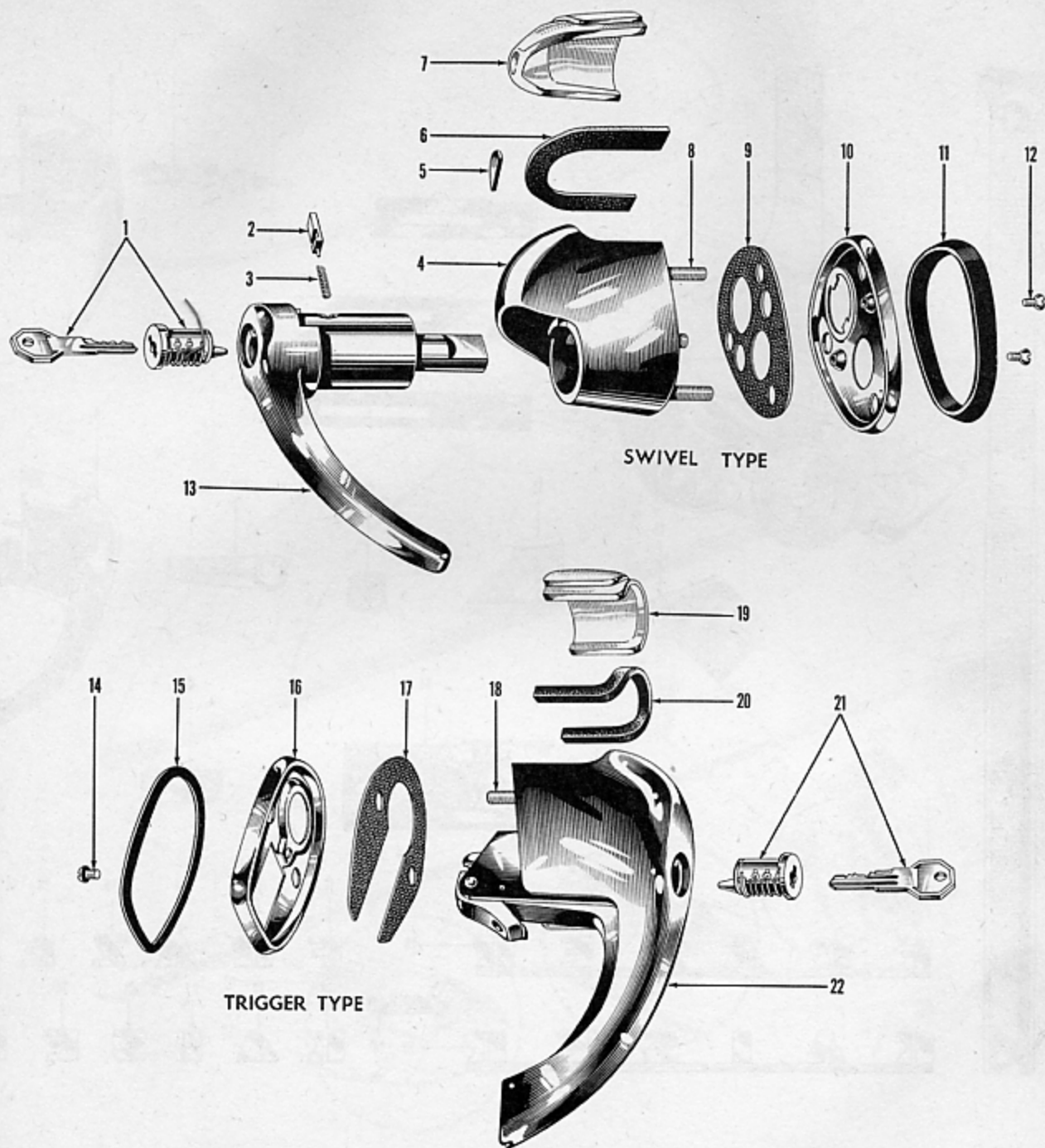


FIGURE 30-3—LOCKING HANDLES AND LICENSE LAMPS - SWIVEL AND TRIGGER TYPE - EXPLODED VIEWS

Key	Part Name	Group	Key	Part Name	Group
1	Cylinder and Key Kit.....	30.068	12	Screw, Escutcheon.....	30.0702
2	Pawl, Locking Handle.....	30.0702	13	Handle (Swivel Type).....	30.0702
3	Spring, Locking Handle Pawl.....	30.0702	14	Screw, Escutcheon.....	30.0701
4	Body, License Lamp.....	30.0702	15	Gasket, Escutcheon to Deck Lid.....	30.068
5	Gasket, Lens Bumper.....	30.0702	16	Escutcheon.....	30.0701
6	Gasket, Lens.....	30.0702	17	Gasket, Escutcheon.....	30.0701
7	Lens.....	30.0702	18	Stud.....	30.0701
8	Stud.....	30.0702	19	Lens.....	30.0701
9	Gasket, Escutcheon.....	30.0702	20	Gasket, Lens.....	30.0701
10	Escutcheon.....	30.0702	21	Cylinder and Key Kit.....	30.068
11	Gasket, Escutcheon to Deck Lid.....	30.068	22	Lamp, Handle and License.....	30.068

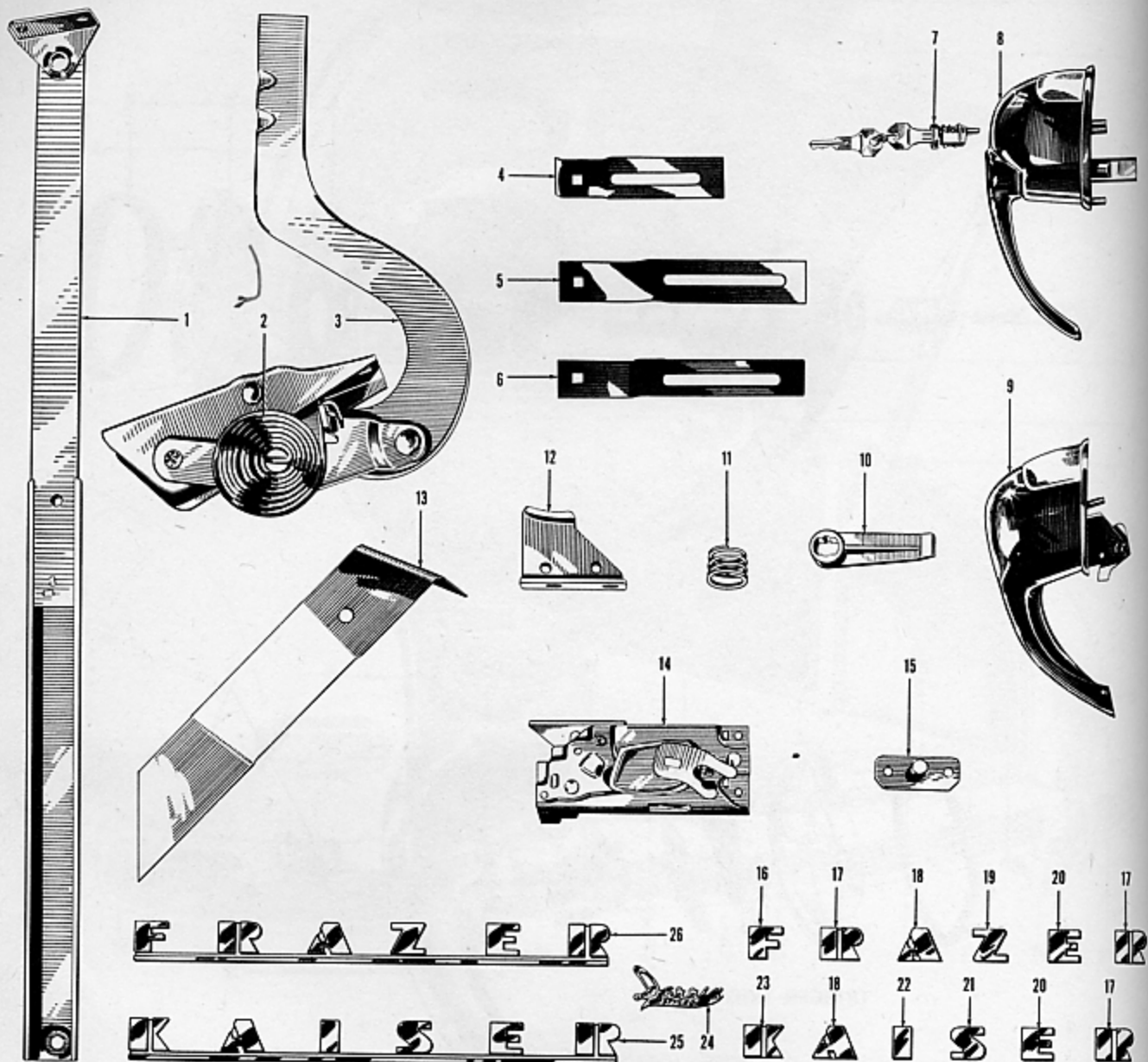


FIGURE 30-4—REAR DECK LID PARTS - ASSEMBLIES

Key	Part Name	Group	Key	Part Name	Group
1	Prop, Deck Lid.....	30.064	13	Bracket, Deck Lid Prop-Lower.....	30.064
2	Spring, Deck Lid Hinge.....	30.064	14	Lock, Deck Lid.....	30.072
3	Hinge, Deck Lid.....	30.064	15	Plate, Deck Lid Lock Striker.....	30.072
4	Support, Rear License Plate Vertical	20.115	16	"F", Letter.....	30.076
5	Support, Rear License Plate, Right..	20.115	17	"R", Letter.....	30.076
6	Support, Rear License Plate, Left...	20.115	18	"A", Letter.....	30.076
7	Cylinder and Key Kit.....	30.068	19	"Z", Letter.....	30.076
8	Lamp, Handle and License (Swivel Type).....	30.068	20	"E", Letter.....	30.076
9	Lamp, Handle and License (Trigger Type).....	30.068	21	"S", Letter.....	30.076
10	Latch, Deck Lid.....	30.074	22	"I", Letter.....	30.076
11	Spring, Latch.....	30.074	23	"K", Letter.....	30.076
12	Plate, Deck Lid Latch Striker.....	30.074	24	Name Plate, "Darrin".....	30.076
			25	Name Plate, "Kaiser".....	30.076
			26	Name Plate, "Frazer".....	30.076

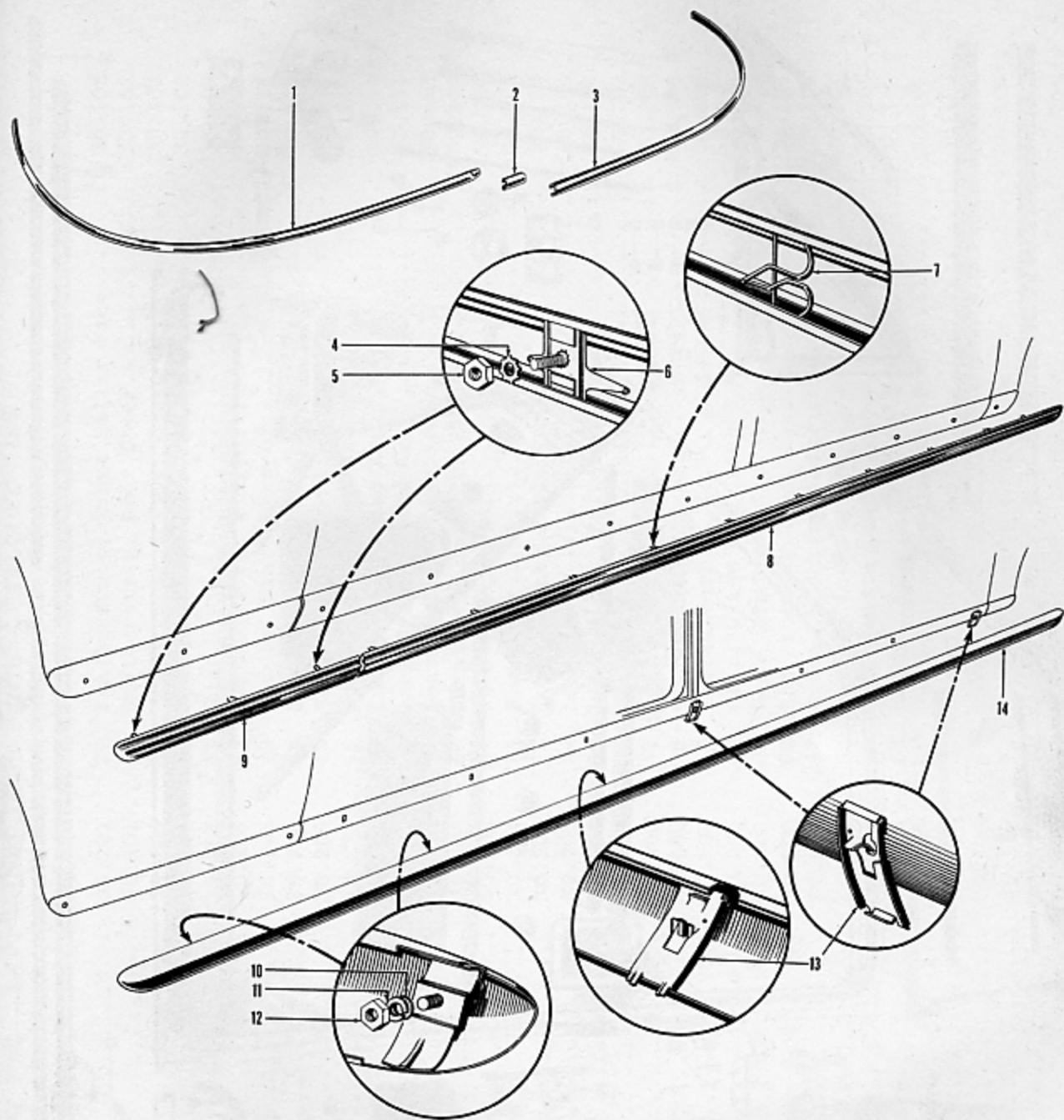
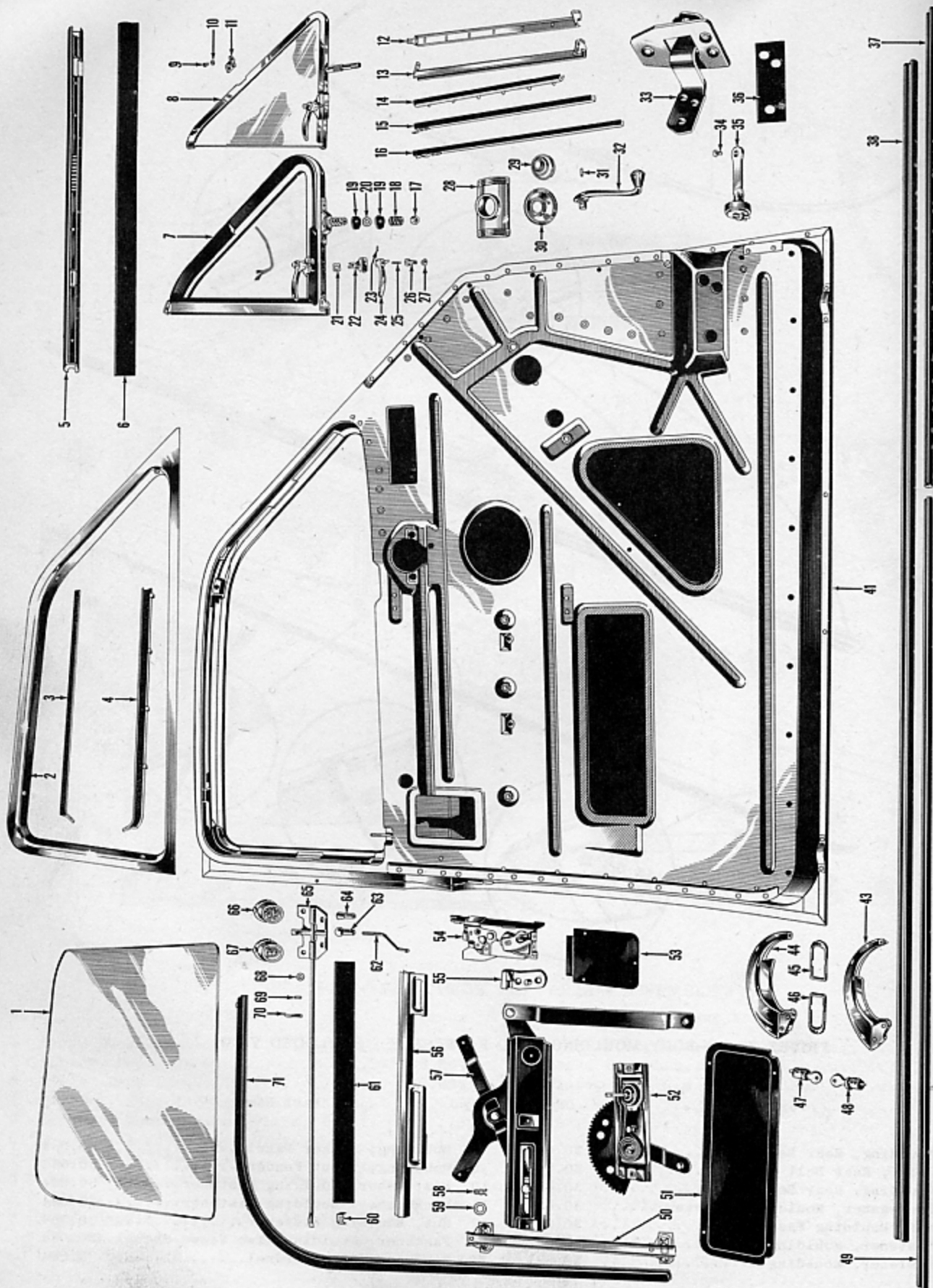


FIGURE 30-5—BODY MOULDINGS AND FASTENERS - EXPLODED VIEW

Key	Part Name	Group	Key	Part Name	Group
1	Moulding, Rear Belt.....	30.086	8	Moulding, Rocker Panel.....	30.084
2	Joint, Rear Belt Moulding.....	30.086	9	Moulding, Front Fender.....	30.082
3	Moulding, Rear Belt.....	30.086	10	Flatwasher, Moulding Fastener.....	30.084
4	Lockwasher, Moulding Fastener.....	30.082	11	Lockwasher, Moulding Fastener.....	30.084
5	Nut, Moulding Fastener.....	30.082	12	Nut, Moulding Fastener.....	30.084
6	Fastener, Moulding.....	30.082	13	Fastener, Moulding (Two Views Shown)	30.084
7	Fastener, Moulding.....	30.084	14	Moulding, Rocker Panel.....	30.084



42—43— LEFT FRONT DOOR PARTS - EXPLODED VIEW

LEFT FRONT DOOR PARTS - EXPLODED VIEW

FIGURE 30-6—LEFT FRONT DOOR PARTS - EXPLODED VIEW

Key	Part Name	Group	Key	Part Name	Group
1	Glass.....	30.201	37	Weatherstrip, Hinge Pillar Face.....	30.102
2	Moulding, Door Garnish.....	30.101	38	Weatherstrip, Door Upper.....	30.102
3	Weatherstrip, Inner.....	30.204	39	Weatherstrip, Upper Hinge Filler.....	30.102
4	Weatherstrip, Outer.....	30.204	40	Weatherstrip, Lower Hinge Filler.....	30.102
5	Weatherstrip, Ventilator Frame.....	30.206	41	Door.....	30.102
6	Seal, Ventilator Window.....	30.206	42	Weatherstrip, Hinge Pillar Upper.....	30.102
7	Ventilator - Complete.....	30.206	43	Handle, Door (Stamped).....	30.114
8	Frame and Glass.....	30.206	44	Handle, Door (Die Cast).....	30.114
9	Rivet, Upper Hinge.....	30.206	45	Escutcheon, Door Handle.....	30.114
10	Swivel, Upper Hinge.....	30.206	46	Escutcheon, Door Handle.....	30.114
11	Hinge, Upper.....	30.206	47	Lock Cylinder and Keys.....	30.114
12	Bar, Division.....	30.206	48	Lock Cylinder and Keys.....	30.114
13	Bar, Division.....	30.206	49	Weatherstrip, Door Lower.....	30.102
14	Weatherstrip, Division Bar.....	30.206	50	Retainer, Glass Run Channel.....	30.204
15	Channel, Glass Run - Upper.....	30.206	51	Cover, Regulator.....	30.110
16	Channel, Glass Run - Lower.....	30.204	52	Regulator.....	30.208
17	Nut.....	30.206	53	Cover, Lock.....	30.110
18	Spring, Lower Pivot.....	30.206	54	Lock, Door.....	30.104
19	Stop, Lower Pivot.....	30.206	55	Plate, Lock Striker.....	30.104
20	Flatwasher.....	30.206	56	Channel, Glass Retainer.....	30.202
21	Washer, Spring.....	30.206	57	Lifter, Glass.....	30.208
22	Shaft, Ventilator Window.....	30.206	58	Clip, Glass Lifter.....	30.208
23	Pin, Ventilator Handle.....	30.206	59	Flatwasher.....	30.208
24	Handle, Ventilator Window.....	30.206	60	Clip, Glass Run Channel.....	30.204
25	Spring, Key.....	30.206	61	Seal, Window Glass.....	30.202
26	Key, Push Button.....	30.206	62	Rod, Locking.....	30.104
27	Button, Push.....	30.206	63	Button, Locking Rod.....	30.104
28	Escutcheon, Remote Control Push Button.....	30.106	64	Button, Locking Rod.....	30.104
29	Spring, Regulator Handle.....	30.208	65	Rod, Remote Control.....	30.106
30	Escutcheon, Regulator Handle.....	30.208	66	Button, Remote Control Rod.....	30.106
31	Pin, Regulator Handle.....	30.208	67	Button, Remote Control Rod.....	30.106
32	Handle, Regulator.....	30.208	68	Washer.....	30.106
33	Hinge, Door.....	30.108	69	Rivet.....	30.106
34	Pin, Check Arm.....	30.112	70	Spring, Remote Control Button.....	30.106
35	Arm, Check.....	30.112	71	Channel, Glass Run.....	30.204
36	Anti-Squeak, Hinge.....	30.108			

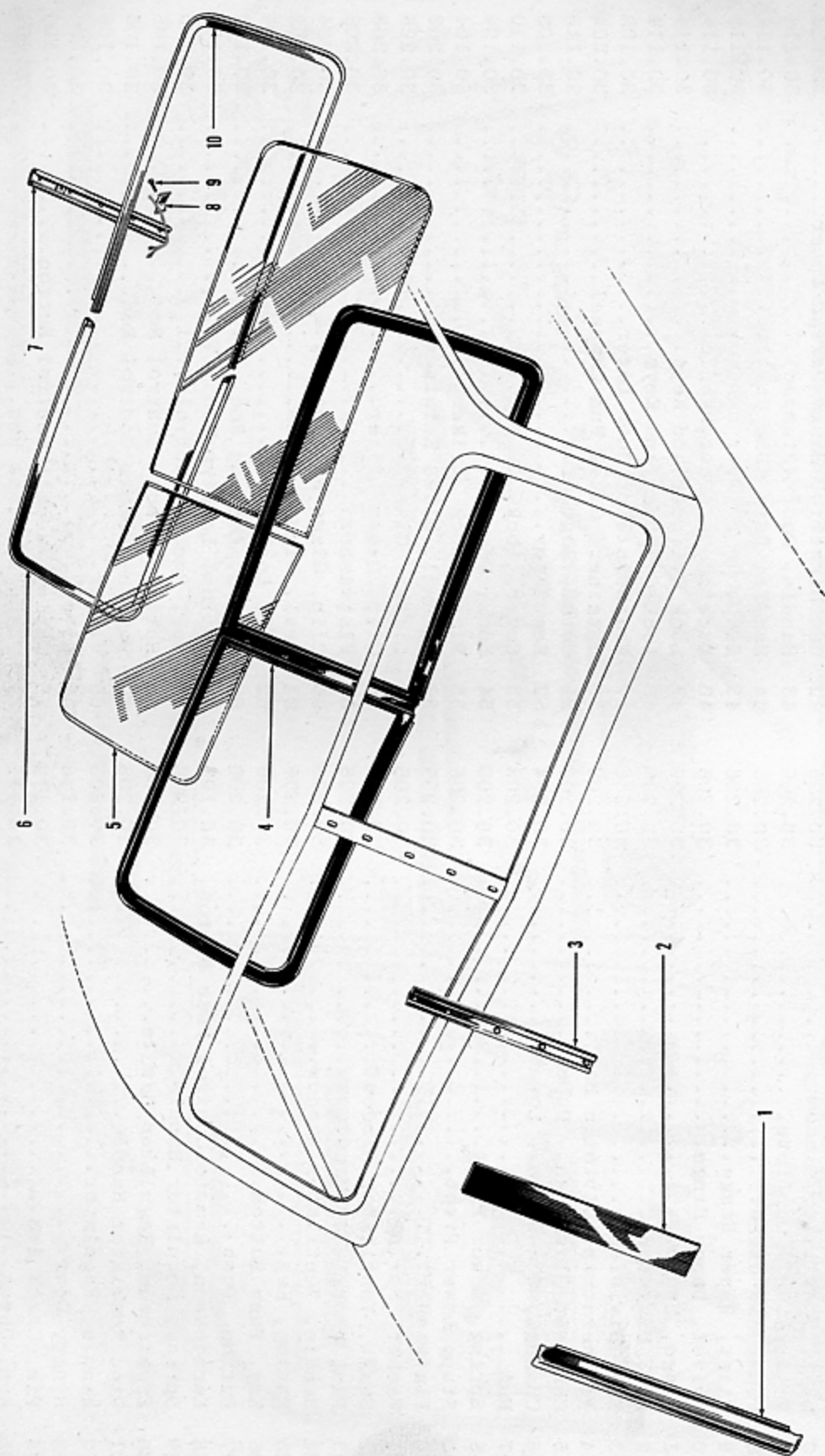


FIGURE 30-7—WINDSHIELD - EXPLODED VIEW

Key	Part Name	Group	Key	Part Name	Group
1	Bar, Windshield Division Outer.....	30.308	6	Moulding, Windshield Garnish, Right.....	30.304
2	Weatherseal, Division Bar.....	30.308	7	Bar, Windshield Division Inner.....	30.306
3	Retainer, Division Bar.....	30.308	8	Clip, Windshield Trim.....	30.304
4	Weatherstrip, Windshield.....	30.302	9	Screw, Windshield Moulding.....	30.304
5	Glass, Windshield.....	30.301	10	Moulding, Windshield Garnish, Left.....	30.304

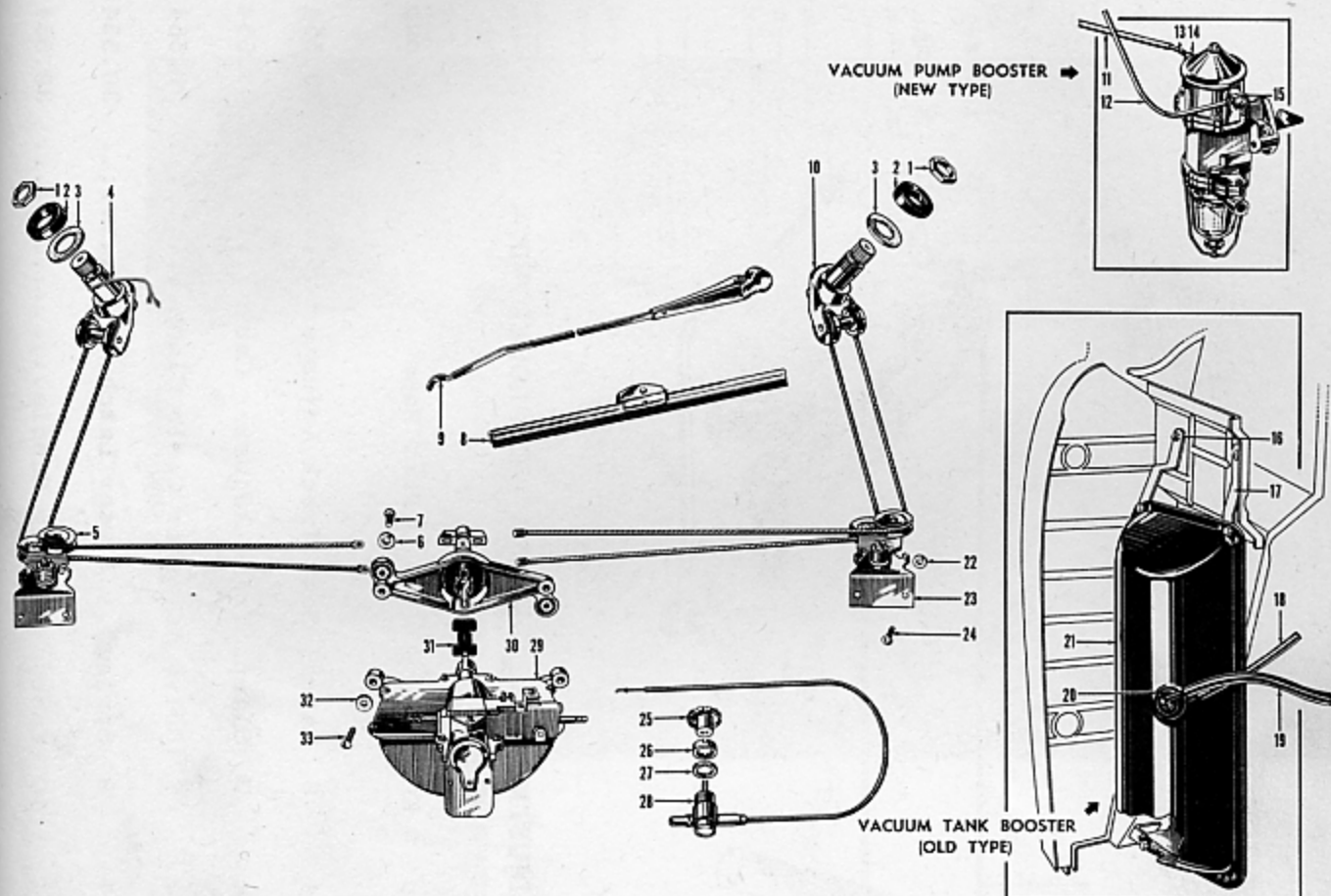


FIGURE 30-8—WINDSHIELD WIPER, CONTROLS AND BOOSTERS

Key	Part Name	Group	Key	Part Name	Group
1	Nut, Wiper Arm Drive Body.....	30.358	18	Hose, Tank to Wiper.....	30.364
2	Spacer, Wiper Arm Drive Body... 30.358	30.358	19	Hose, Tank to Manifold.....	30.364
3	Spacer, Wiper Arm Drive Body... 30.358	30.358	20	Valve, Tank Check.....	30.362
4	Body, Wiper Arm Drive, Right... 30.358	30.358	21	Tank, Vacuum.....	30.362
5	Pulley, Wiper Tension, Right... 30.356	30.356	22	Lockwasher, Pulley Bolt.....	30.356
6	Lockwasher, Driver to Motor Screw.....	30.352	23	Pulley, Wiper Tension, Left.... 30.356	30.356
7	Screw, Driver to Motor.....	30.352	24	Bolt, Pulley.....	30.356
8	Blade, Wiper.....	30.360	25	Knob, Wiper Control.....	30.354
9	Arm, Wiper Blade.....	30.360	26	Nut, Wiper Control.....	30.354
10	Body, Wiper Arm Drive, Left.... 30.358	30.358	27	Spacer, Wiper Control Nut.....	30.354
11	Hose, Pump Tube to Wiper.....	30.364	28	Control, Wiper.....	30.354
12	Tube, Pump to Manifold.....	30.364	29	Motor, Wiper.....	30.352
13	Tube, Pump to Wiper Hose.....	30.364	30	Driver, Motor.....	30.352
14	Connector, Pump to Wiper		31	Insulator, Motor Driver Coupling.....	30.352
15	Hose Tube.....	30.364	32	Lockwasher, Motor Attaching Screw.....	30.352
15	Elbow, Pump to Manifold Tube... 30.364	30.364	33	Screw, Motor Attaching.....	30.352
16	Bracket, Vacuum Tank.....	30.362			
17	Bracket, Vacuum Tank.....	30.362			

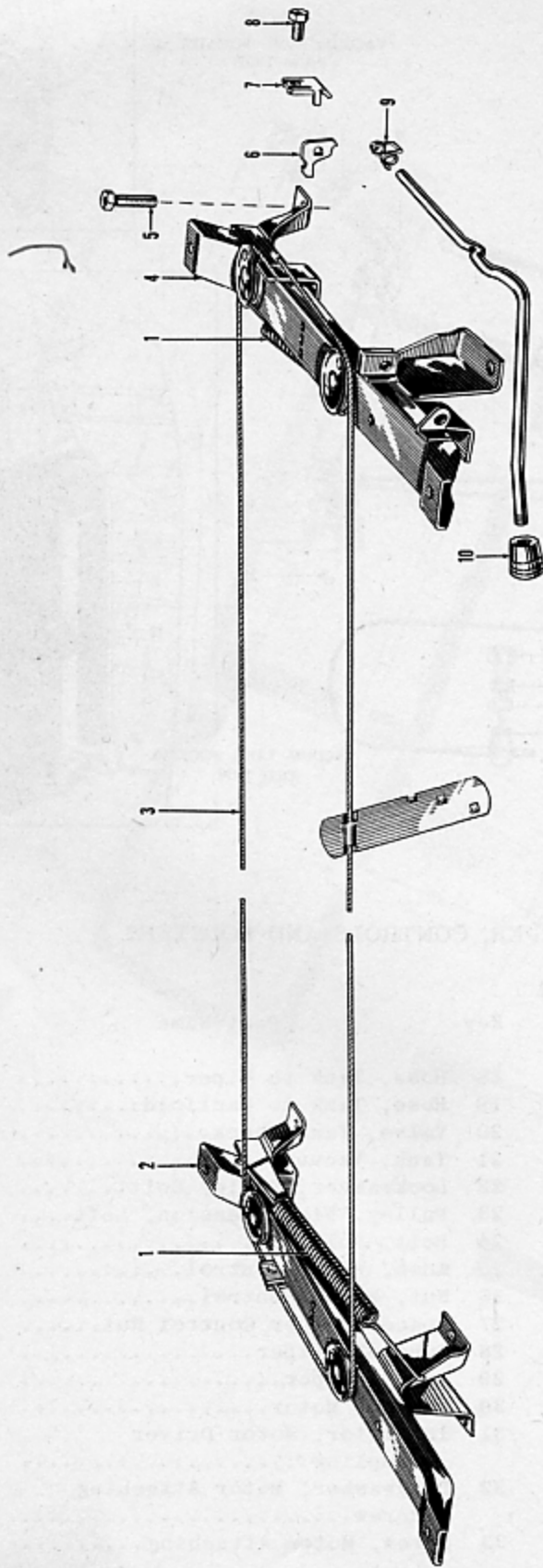


FIGURE 30-9—FRONT SEAT TRACK ADJUSTMENT MECHANISM - EXPLODED VIEW

Key	Part Name	Group	Key	Part Name	Group
1	Spring, Track Tension.....	30.554	6	Latch, Seat Track Adjuster.....	30.554
2	Guide, Seat Track, Right.....	30.554	7	Clamp, Track Adjuster Cable.....	30.554
3	Cable, Track Adjuster.....	30.554	8	Bolt, Adjuster Cable Clamp.....	30.554
4	Guide, Seat Track, Left.....	30.554	9	Spring, Adjuster Latch.....	30.554
5	Bolt, Guide to Floor Pan.....	30.554	10	Knob, Adjuster Handle.....	30.554

Key
1
2
3
4
5
6
7
8
9
10
11
12
13
14
15
16
17

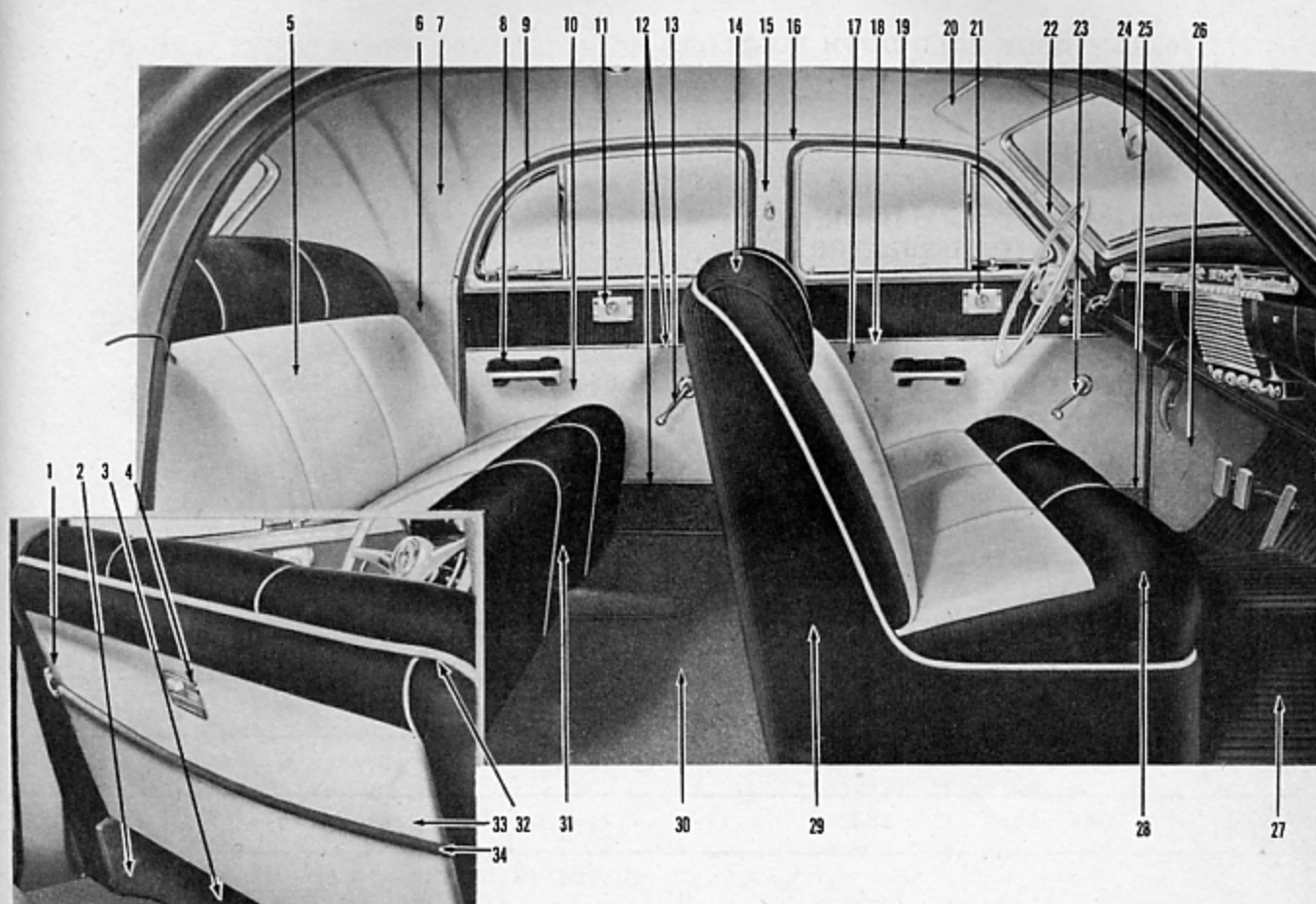


FIGURE 30-10—BODY INTERIOR TRIM-FRAZER

Key	Part Name	Group	Key	Part Name	Group
1	Excutechon, Robe Cord.....	30.628	18	Moulding, Front Door Trim Panel	30.604
2	Carpet, Foot Rest, End.....	30.616	19	Weathercord, Front Door Opening	30.604
3	Carpet, Foot Rest, Center.....	30.616	20	Visor, Sun.....	30.626
4	Ash Receiver, Seat Back.....	30.806	21	Escutcheon, Remote Control Push Button.....	30.106
5	Cushion, Rear Seat Back.....	30.620	22	Cover, W/S Pillar.....	30.612
6	Panel, Rear Quarter Trim.....	30.610	23	Handle, Window Regulator.....	30.208
7	Headlining.....	30.612	24	Mirror, Rear View.....	30.802
8	Arm Rest, Door.....	30.614	25	Moulding, Front Door Trim Panel	30.604
9	Weathercord, Rear Door Opening.	30.608	26	Panel, Cowl Trim.....	30.602
10	Panel, Rear Door Trim.....	30.608	27	Mat, Front Floor.....	30.630
11	Escutcheon, Remote Control Push Button.....	30.124	28	Cushion, Front Seat.....	30.616
12	Moulding, Rear Door Trim Panel.	30.608	29	Cover, Front Seat Frame.....	30.616
13	Handle, Window Regulator.....	30.218	30	Carpet, Rear Floor.....	30.630
14	Cushion, Front Seat Back.....	30.616	31	Cushion, Rear Seat.....	30.620
15	Panel, Center Pillar Trim.....	30.606	32	Cord, Front Seat Seaming.....	30.616
16	Binding, Headlining Wire-On....	30.612	33	Panel, Front Seat Back Trim....	30.616
17	Panel, Front Door Trim.....	30.604	34	Cord, Robe.....	30.628

FIGURE NUMBER	GROUP	PART NAME and DESCRIPTION	PART NUMBER	QTY.	MODELS
---------------	-------	---------------------------	-------------	------	--------

30.012 - BODY HOLD DOWN BOLT

		Bolt, 7/16" - 20 x 1 3/4" Hx. Hd.	501	22	All
		Flatwasher, 7/16" Lg.	519	40	All
		Locknut, 7/16" - 20 Hx. Hd.	202296	18	All

30.014 - BODY HOLD DOWN SHIM
OR INSULATOR

		Shim, Upper, All except No. 7 and No. 8 Bolt (37/64" x 1 3/4" x 9/16") (Rubber).	200604	18	All
		Shim, Lower, All except No. 7 and No. 8 Bolt (37/64" x 1 3/4" x 5/16") (Rubber).	200605	18	All
		Shim, Upper, No. 7 and No. 8 Bolt (37/64" x 5/16") (Rubber).....	200605	4	All
		Shim, Lower, No. 7 and No. 8 Bolt (37/64" x 1 3/4" x 9/16") (Rubber).....	200604	4	All

FIGURE
NUMBER

30-1-1

19-1

40-2

40-2

*As

BODY PANELS

30.030

FIGURE NUMBER	GROUP	PART NAME and DESCRIPTION	PART NUMBER	QTY.	MODELS	
30.032 - FRONT STONE DEFLECTOR OR GRILLE PANEL EXTENSION (PRIME)						
30-1-19		Extension, Right.....	200630	1	All	
		Extension, Left.....	200631	1	All	
		Extension, Right (used with one Piece Bumper).....	202780	1	K100, K101, K481, K482	
		Extension, Left (used with one Piece Bumper).....	202781	1	K100, K101, K481, K482	
		Screw, No. 10 - 16 x 1/2" Pan Hd. Cr. Rec. Tap.	555	8	All	
		Flatwasher, No. 10 Sm.	248	8	All	
		Speednut.....	200632	8	All	
		Anti-Squeak.....	201571	2	All	
	30.034 - BODY VENTILATING AIR DUCT					
		Funnel, Air Duct Inlet (incl. Screen) Right.....	200612	1	All	
	Funnel, Air Duct Inlet (incl. Screen) Left.....	200613	1	All		
	Outlet, Air Duct (Dual) Right.....	200614	1	All		
	Outlet, Air Duct (Single) Left.....	200615	1	All		
	Outlet, Air Duct Tee, Right, after.....	} Body No. } } F486-8769 }	203277	1	F486	
	Outlet, Air Duct, Left, after.....		203278	1	F486	
	Outlet, Air Duct (R.H.D.).....	203657	2	F485, K481		
	Clip.....	202902	2	All		
	Screw, No. 8 - 32 x 3/8" Rd. Hd. Cr. Rec.	599	2	All		
	Speednut.....	202901	2	All		
	Deflector, Air Duct.....	202017	2	All		
	Screen, Air Duct Reflector.....	202115	2	All		
	Sleeve, Air Duct Outlet.....	202116	*	All		
	Cover, Right Air Duct.....	202922	*	All		
	Screw, No. 10 - 24 x 1 1/4" Rd. Hd. Cr. Rec.	507	*	All		
	Lockwasher, No. 10 Ext. Tooth.....	294	*	All		
19-1-25		Ventilator Control Complete.....	200529	1	F47, F47C, F485, F486	
		Ventilator Control Complete.....	202288	1	K100, K101, K481, K482	
		Lockwasher, 3/8" Ext. Tooth.....	291	1	All	
		Nut, 3/8" - 24 Hx. Jam.	290	1	All	
	Grommet, Vent. Control Cable (Thru Dash)..	200499	1	All		
	Sleeve and Wire, Right to Left Outlet....	202578	1	All		
	Clip (Snap on).....	203280	2	All		
40-2-16		Ventilator Control Complete (Dual Wire)...	203275	1	F486	
		Lockwasher, 5/8" Ext. Tooth.....	627	1	F486	
	Nut, 5/8" - 18 Hx. Lt.	628	1	F486		
40-2-21		Speednut.....	203276	1	F486	
		Clip.....	201987	1	F486	
		Screw, No. 8 - 32 x 7/16" Rd. Hd. Sl. ..	385	1	F486	
		Lockwasher, No. 8 Ext. Tooth.....	447	1	F486	
		Clip.....	202902	2	F486	
		Screw, No. 8 - 32 x 1/2" Rd. Hd. Cr. Rec.	599	2	F486	
		Speednut.....	202901	2	F486	
	Grommet, Vent. Control Cable (Thru Dash)..	200499	1	F486		

*As required

FIGURE NUMBER	GROUP	PART NAME and DESCRIPTION	PART NUMBER	QTY.	MODELS
30.034 - BODY VENTILATING AIR DUCT (CONT'D.)					
		Ventilator Control (less Knobs and Cable) (R.H.D.).....	203614	1	F485, K481
		Stud (R.H.D.).....	203615	2	F485, K481
		Lockwasher, 1/4" (R.H.D.).....	370	2	F485, K481
		Nut, 1/4" - 20 Hx. Lt. (R.H.D.).....	203	2	F485, K481
		Knob, Vent. Control, Upper (R.H.D.).....	203616	1	F485, K481
		Knob, Vent. Control, Lower (R.H.D.).....	203617	1	F485, K481
		Screw, No. 8 - 32 x 3/4" Ov. Hd. Cr. Rec. (Chrome) (R.H.D.).....	650	1	F485, K481
		Lockwasher, No. 8 Ext. Tooth Ctsk. (R.H.D.).....	651	1	F485, K481
		Cable, Vent. Control (Dual Wire) (R.H.D.).....	203618	1	F485, K481
		Clip (R.H.D.).....	201987	1	F485, K481
		Screw, No. 8 - 32 x 7/16" Rd. Hd. Sl. (R.H.D.).....	385	1	F485, K481
		Lockwasher, No. 8 Ext. Tooth (R.H.D.)...	447	1	F485, K481
		Speednut (Cable to Control) (R.H.D.)....	202901	1	F485, K481
		Speednut (Cable to Dash) (R.H.D.).....	203276	2	F485, K481
30.038 - DOOR HINGE PILLARS AND REINFORCEMENTS (PRIME)					
30-1-16		Pillar, Right Front.....	202576	1	All
		Pillar, Left Front.....	202577	1	All
30-1-10		Pillar, Right Center.....	200576	1	All
		Pillar, Left Center.....	200577	1	All
30-1-8		Facing, Rear Door Lock Pillar, Right....	202909	1	All
		Facing, Rear Door Lock Pillar, Left....	202910	1	All
		Reinforcement, Rear Door Lock Pillar Facing, Right.....	202950	1	All
		Reinforcement, Rear Door Lock Pillar Facing, Left.....	202924	1	All
30.040 - REAR QUARTER PANELS (PRIME)					
30-1-5		Panel, Outer, Right.....	200564	1	All
		Panel, Outer, Left.....	200565	1	All
		Cover, Hole (Rubber) (used with one Piece Bumper).....	202934	2	K100, K101, K481, K482
		Plug, Hole (Metal) (used with one Piece Bumper).....	202940	2	K100, K101, K481, K482
30-1-9		Panel, Rear Wheelhouse Outer, Right....	200573	1	All
		Panel, Rear Wheelhouse Outer, Left....	200574	1	All
		Weatherseal, Rear Quarter Wheelhouse Baffle, Right.....	200572	1	All
		Weatherseal, Rear Quarter Wheelhouse Baffle, Left.....	200571	1	All
30-2-22		Cover, Fuel Tank Filler Neck (incl. Hinge and Spring).....	200566	1	All
		Spring.....	200567	1	All
		Bolt, 1/4" - 20 x 3/8" Rd. Hd. Cr. Rec.	474	2	All
		Lockwasher, 1/4" Ext. Tooth.....	370	2	All
		Nut, 1/4" - 20 Hx. Lt.	203	2	All

BODY PANELS

30.030

FIGURE NUMBER	GROUP	PART NAME and DESCRIPTION	PART NUMBER	QTY.	MODELS
30.042 - TOOL COMPARTMENT WEATHERSEAL					
30-2-12		Seal.....	200575	1	All
30.044 - REAR COMPARTMENT LUGGAGE SHELF					
30-2-19		Shelf (Plywood)	203117	1	All
		Bracket and Retainer.....	202549	1	All
		Bolt, Step, 5/16" - 18 x 1 1/8".....	598	4	All
		Lockwasher, 5/16" Med.	240	4	All
		Nut, 5/16" - 18 Hx. Lt.	205	4	All
30.046 - UNDERBODY REAR SHIELD					
		Shield.....	202381	1	All
		Screw, No. 10 - 12 x 3/4" Pan Hd. Cr.			
		Rec. Tap.....	602	7	All
		Bolt, 5/16" - 18 x 11/16" Hx. Hd.	397	3	All
		Flatwasher, 5/16" Sm.	225	3	All
		Lockwasher, 5/16" Med.	240	3	All
		Nut, 5/16" - 18 Hx. Lt.	205	3	All
		Anti-Squeak (3/4" x 43 1/2").....	202378	1	All
		Anti-Squeak (9/16" x 1 1/4").....	202380	2	All
		Anti-Squeak (3/4" x 1 1/2").....	202379	3	All
30.048 - REAR STONE DEFLECTOR PANELS (PRIME)					
		Panel, Right.....	200563	1	All
		Panel, Left.....	200562	1	All
		Panel, Center.....	200561	1	All
		Bolt, 1/4" - 20 x 1/2" Hx. Hd.	179	16	All
		Speednut.....	202045	10	All
		Flatwasher, 1/4" Sm.	243	10	All
		Lockwasher, 1/4" Med.	190	10	All
		Nut, 1/4" - 20 Hx. Lt.	203	10	All
		Bolt, 1/4" - 28 x 1/2" Hx. Hd.	276	6	All
		Lockwasher, 1/4" Int. Tooth.....	275	6	All
30.050 - BODY SHELLS (PRIME)					
K482	30-1-3	Shell (incl. Doors and Deck Lid) (F47C, F486 Less Dual Manifold) (L.H.D.).....	202750	1	F47, F47C, F485, F486
K482		Shell (incl. Doors and Deck Lid) (L.H.D.).	202752	1	K100, K101, K481, K482
		Shell (incl. Doors and Deck Lid) (Dual Manifold) (L.H.D.).....	202754	1	F486
		Shell (incl. Doors and Deck Lid) (R.H.D.).	203619	1	F485
		Shell (incl. Doors and Deck Lid) (R.H.D.).	203620	1	K481
	30-1-3	Shell (Less Doors and Deck Lid) (F47C, F486 Less Dual Manifold) (L.H.D.).....	202751	1	F47, F47C, F485, F486
		Shell (Less Doors and Deck Lid) (L.H.D.)..	202753	1	K100, K101, K481, K482
		Shell (Less Doors and Deck Lid) (Dual Manifold) (L.H.D.).....	202755	1	F486
		Shell (Less Doors and Deck Lid) (R.H.D.)..	203621	1	F485
		Shell (Less Doors and Deck Lid) (R.H.D.)..	203622	1	K481

FIGURE NUMBER	GROUP	PART NAME and DESCRIPTION	PART NUMBER	QTY.	MODELS
30.052 - ROOF PANEL					
30-1-2		Panel (Prime).....	200582	1	All
		Moulding, Roof Drip (Prime) Right.....	202329	1	All
		Moulding, Roof Drip (Prime) Left.....	202330	1	All
		Moulding, Roof Drip Trim (Chrome) Right...	202739	1	F47C, F486
		Moulding, Roof Drip Trim (Chrome) Left....	202740	1	F47C, F486
30.054 - COWL (OR) BODY FRONT END					
30-1-17		Cowl (incl. W/S Frame) (F486 Less Dual Manifold) (L.H.D.).....	203320	1	All
		Cowl (incl. W/S Frame) (Dual Manifold) (L.H.D.).....	203825	1	F486
		Cowl (incl. W/S Frame) (R.H.D.).....	203623	1	F485, K481
30.056 - ROCKER PANEL (PRIME)					
30-1-14		Panel, Right.....	202332	1	All except F47C, F486
		Panel, Left.....	202333	1	All except F47C, F486
		Panel, Right.....	203009	1	F47C, F486
		Panel, Left.....	203010	1	F47C, F486
30.058 - REAR FLOOR PAN AND LOWER DECK PANEL					
30-1-13		Pan, Rear Floor.....	202928	1	All
30-1-12		Riser, Rear Seat.....	203128	1	All
30-2-13		Panel, Lower Deck (Prime).....	202912	1	All
		Reinforcement, Lower Deck Panel (Prime)...	202913	1	All

REAR COMPARTMENT (OR) DECK LID, HINGES and PROP 30.060

FIGURE NUMBER	GROUP	PART NAME and DESCRIPTION	PART NUMBER	QTY.	MODELS
30.062 - DECK LID AND WEATHERSTRIP					
		Lid (used with Trigger Type Handle and Prop) (Not Available, use 202344, 202302, 202303, 202351, 202365, 202358, 202359, 202341, 202342 and 202339).....	200549		
		Lid (used with Swivel Type Handle and Prop) (Not Available, use 202344, 202302 and 202303).....	202343		
30-2-2		Lid (Prime).....	202344	1	All
30-2-6		Weatherstrip, Upper.....	202056	1	All
30-2-16		Weatherstrip, Lower.....	202057	1	All
		Reinforcement, Deck Lid Handle.....	202926	1	All
30.064 - DECK LID HINGES AND PROP					
		Hinge, Right.....	202302	1	All
30-4-3		Hinge, Left.....	202303	1	All
		Flatwasher, 5/16" Sm.	225	4	All
		Lockwasher, 5/16" Med.	240	4	All
		Bolt, 5/16" - 18 x 5/8" } To Lid			
		Hx. Hd.	208	4	All
		Flatwasher, 1/4" Lg.	344	2	All
		Lockwasher, 1/4" Med.	190	2	All
		Nut, 1/4" - 20 Hx.	203	2	All
		Flatwasher, 5/16" Lg.	300	6	All
		Lockwasher, 5/16" Med.	240	6	All
		Nut, 5/16" - 18 Hx. Lt.	205	6	All
30-4-2		Spring, Hinge (5 Coil).....	200560	2	F47, K100
30-4-2		Spring, Hinge (6 Coil).....	202338	2	All
30-4-1		Prop and Bracket.....	202054	1	F47, K100
		Lockwasher, 1/4" Med.	190	2	F47, K100
		Bolt, 1/4" - 20 x 1/2" Hx. Hd.	179	2	F47, K100
30-4-13		Bracket, Lid Prop Lower.....	202055	1	F47, K100
		Bolt, 1/4" - 28 x 19/32".....	201937	1	F47, K100
		Washer, Spring, 1/4".....	201936	1	F47, K100
		Lockwasher, 1/4 Med.	190	1	F47, K100
		Nut, 1/4" - 28 Hx.	261	1	F47, K100
30.068 - DECK LID HANDLE AND LICENSE LIGHT (Handles as listed do not incl. Lock Cylinder)					
30-4-9		Handle and License Light (Trigger Type)...	200660	1	F47, K100
		Lockwasher, No. 12 Int. Tooth.....	514	3	F47, K100
		Nut, No. 12 - 24 Hx.	502	2	F47, K100
		Screw, No. 12 - 24 x 1/2" Rd. Hd. Cr. Rec.	503	1	F47, K100
30-3-15		Gasket, Handle to Lid.....	201536	1	F47, K100
30-3-21		Lock Cylinder and Keys.....	201891	1	F47, K100
		Key - Cut.....	201893	*	F47, K100
		Key - Blank.....	201894	*	F47, K100
30-4-8		Handle and License Light (Swivel Type)....	202351	1	All
		Lockwasher, No. 12 Int. Tooth.....	514	3	All
		Nut, No. 12 - 24 Hx.	502	3	All
30-3-11		Gasket, Handle to Lid.....	202358	1	All
30-3-1		Lock Cylinder and Keys.....	202365	1	All
		Key - Cut.....	202366	*	All

*As required

30.060 REAR COMPARTMENT (OR) DECK LID, HINGES and PROP

FIGURE NUMBER	GROUP	PART NAME and DESCRIPTION	PART NUMBER	QTY.	MODELS	FIGURE NUMBER
30.068 - DECK LID HANDLE AND LICENSE LIGHT (CONT'D.)						
		Key - Blank.....	202367	*	All	
		Cylinder and Key Kit (incl. Deck Lid Handle and Glove Box Lock Cylinders and Keys).....	201212	*	All except K100, K481	
30.0701 - LICENSE LIGHT (TRIGGER TYPE)						
30-3-18		Stud, No. 12 - 24 x No. 12 - 24 x 1".....	201534	2	F47, K100	
30-3-16		Escutcheon.....	200664	1	F47, K100	
30-3-14		Screw, No. 8 - 32 x 7/16" Rd. Hd. Sl. ..	385	1	F47, K100	30-4-
30-3-17		Gasket, Escutcheon.....	200663	1	F47, K100	30-4-
30-3-19		Lens.....	200661	1	F47, K100	
30-3-20		Gasket, Lens.....	200662	1	F47, K100	
		Cable, Connector.....	201384	1	F47	
		Cable, Connector.....	201538	1	K100	30-4-
		Socket, Bulb.....	201537	1	F47, K100	
		Spring, Bulb Socket.....	200860	1	F47, K100	
		Bulb, Mazda No. 63.....	201600	1	F47, K100	
30.0702 - LICENSE LIGHT (SWIVEL TYPE)						
30-3-4		Body.....	202352	1	All	30-4-
30-3-8		Stud, No. 12 - 24 x No. 12 - 24 x 1".....	201534	3	All	
30-3-10		Escutcheon.....	202356	1	All	
30-3-12		Screw, No. 8 - 32 x 3/8" Fl. Hd. Sl. ...	546	2	All	30-4-
30-3-9		Gasket, Escutcheon.....	202357	1	All	30-4-
30-3-7		Lens.....	202353	1	All	30-4-
30-3-6		Gasket, Lens.....	202354	1	All	30-4-
30-3-5		Gasket, Lens Bumper.....	202863	1	All	30-4-
30-3-13		Handle.....	202360	1	All	30-4-
30-3-2		Pawl, Handle.....	202361	1	All	30-4-
30-3-3		Spring, Handle Pawl.....	202362	1	All	30-4-
		Cable, Connector.....	201384	1	F47, F485	30-4-
		Cable, Connector.....	201538	1	K100, K101, K481, K482	
		Socket, Bulb.....	202359	1	All except F47C, F486	30-4-
		Gasket, Socket (Rubber).....	202815	*	All except F47C, F486	30-4-
		Spring, Bulb Socket.....	200860	1	All except F47C, F486	
		Bulb, Mazda No. 63.....	201600	1	All except F47C, F486	
		Cable and Sockets, Rear Comp't. and License Light.....	202660	1	F47C, F486	
		Bulb, Mazda No. 63.....	201600	2	F47C, F486	
		Bracket, Rear Comp't. Light.....	202661	1	F47C, F486	
30.072 - DECK LID LOCK, LATCH AND BRACKET (TRIGGER TYPE)						
30-4-14		Lock.....	200669	1	F47, K100	
		Screw with L/W, No. 10 - 32 x 3/8" Rd. Hd. Cr. Rec.	202117	4	F47, K100	
		Plate, Lid Lock.....	202345	1	F47, K100	
		Lockwasher, No. 10 Med.	254	8	F47, K100	
		Screw, No. 10 - 32 x 7/16" Rd. Hd. Cr. Rec.	539	8	F47, K100	
30-4-15		Latch, Lid Lock.....	200546	1	F47, K100	
		Flatwasher, 1/4" Lg.	344	2	F47, K100	

*As required

*As

REAR COMPARTMENT (OR) DECK LID, HINGES and PROP 30.060

FIGURE NUMBER	GROUP	PART NAME and DESCRIPTION	PART NUMBER	QTY.	MODELS
30.072 - DECK LID LOCK, LATCH AND BRACKET (TRIGGER TYPE) (CONT'D.)					
		Lockwasher, 1/4" Med.	190	2	F47, K100
		Bolt, 1/4" - 28 x 3/8" Hx. Hd.	506	2	F47, K100
		Bracket, Lid Lock Latch.....	200548	1	F47, K100
		Lockwasher, 1/4" Med.	190	2	F47, K100
		Bolt, 1/4" - 20 x 5/8" Rd. Hd. Cr. Rec..	505	2	F47, K100
30.074 - DECK LID LATCH, AND STRIKER (SWIVEL TYPE)					
30-4-10		Latch.....	202341	1	All
30-4-11		Spring, Coil.....	202342	1	All
		Lockwasher, 5/16" Med.	240	1	All
		Flatwasher, 5/16" Sm.	225	1	All
		Bolt, 5/16" - 24 x 5/8" Hx. Hd.	274	1	All
30-4-12		Plate, Lid Latch Striker.....	202339	1	All
		Shim.....	202340	*	All
		Lockwasher, 1/4" Ext. Tooth.....	370	2	All
		Bolt, 1/4" - 20 x 5/8" Rd. Hd. Cr. Rec..	505	2	All
30.076 - DECK LID NAME PLATES AND LETTERS					
30-4-24		Plate, Name "Darrin".....	200556	1	All
		Plate, Name "Special".....	202016	1	K100
		Speednut.....	200557	3	All
30-4-18		"A".....	200689	1	F47, F47C, K100, K101
30-4-20		"E".....	200690	1	F47, F47C, K100, K101
30-4-16		"F".....	200691	1	F47, F47C
30-4-22		"I".....	201792	1	K100, K101
30-4-23		"K".....	201793	1	K100, K101
30-4-17		"R".....	200692	2	F47, F47C
30-4-17		"R".....	200692	1	K100, K101
30-4-21		"S".....	201794	1	K100, K101
30-4-19		"Z".....	200693	1	K100, K101
		Clip.....	203302	6	F47, F47C, K100, K101
30-4-26		Plate, Name "Frazer".....	203026	1	F47, F47C, F485, F486
30-4-25		Plate, Name "Kaiser".....	203027	1	K100, K101, K481, K482
		Clip.....	200639	2	All

00, K481

K481, K48
17C, F486
17C, F486
17C, F486
17C, F486

As required

FIGURE NUMBER	GROUP	PART NAME and DESCRIPTION	PART NUMBER	QTY.	MODELS
30.082 - FRONT FENDER MOULDING					
30-5-9		Moulding, Right.....	202019	1	F47, K101, F485, K482
		Moulding, Left.....	202020	1	F47, K101, F485, K482
		Fastener.....	202018	2	F47, K101, F485, K482
30-5-6		Fastener (incl. Retainer Stud).....	202029	4	F47, K101, F485, K482
30-5-4		Lockwasher, No. 10 Ext. Tooth.....	294	4	F47, K101, F485, K482
30-5-5		Nut, No. 10 - 24 Hx.	378	4	F47, K101, F485, K482
		Plate, Name "Manhattan".....	202591	2	F47C, F486
		Plate, Name "Custom".....	203052	2	K101, K482
		Speednut.....	202592	6	F47C, K101, F486, K482
30.084 - ROCKER PANEL MOULDINGS (CHROME)					
30-5-8		Moulding, Right.....	202023	1	F47, K101, F485, K482
		Moulding, Left.....	202024	1	F47, K101, F485, K482
		Moulding (incl. No. 1 and No. 2 Fasteners with Retainer Studs) Right.....	202593	1	F47C, F486
30-5-14		Moulding (incl. No. 1 and No. 2 Fasteners with Retainer Studs) Left.....	202594	1	F47C, F486
30-5-7		Fastener.....	202018	20	F47, K101, F485, K482
30-5-13		Fastener.....	202595	14	F47C, F486
30-5-10		Flatwasher, 1/4" Sm.	243	4	F47C, F486
30-5-11		Lockwasher, 1/4".....	190	4	F47C, F486
30-5-12		Nut, 1/4" - 20 Hx. Lt.	203	4	F47C, F486
		Screw, Fastener Attaching, No. 6 - 18 x 1/2" Pan Hd. Cr. Rec. Tap.....	498	4	F47C, F486
30.086 - REAR BELT MOULDING (CHROME)					
30-5-3		Moulding, Right.....	200686	1	F47, F47C, F485
30-5-1		Moulding, Left.....	200687	1	F47, F47C, F485
30-5-2		Joint.....	200688	1	F47, F47C, F485
30-5-3		Moulding, Right.....(Wide)..	202596	1	F47C, F486
30-5-1		Moulding, Left.....(Wide)..	202597	1	F47C, F486
30-5-2		Joint.....(Wide)..	202598	1	F47C, F486
		Fastener.....	202377	22	F47, F47C, F485
		Fastener (incl. Retainer Stud).....	202376	*	F47, F47C, F485
		Fastener.....(Wide)..	202599	22	F47C, F486
		Fastener (incl. Retainer Stud)..(Wide)..	202600	*	F47C, F486
		Lockwasher, No. 10 Med.	254	*	F47, F47C, F485
		Lockwasher, No. 10 Ext. Tooth...(Wide)..	294	*	F47C, F486
		Nut, No. 10 - 32 Hx.	202	*	F47, F47C, F485, F486

*As required

FIGURE NUMBER	GROUP	PART NAME and DESCRIPTION	PART NUMBER	QTY.	MODELS
30.101 - FRONT DOOR GARNISH MOULDING					
F485, K482	30-6-2	Moulding (Incl. Weatherstrip) (Prime)			
F485, K482		Right.....	200675	1	All except F47C, F486
F485, K482		Moulding (Incl. Weatherstrip) (Prime)			
F485, K482		Left.....	200676	1	All except F47C, F486
F485, K482		Moulding (Incl. Weatherstrip) (Chrome)			
F485, K482		Right.....	202601	1	F47C, F486
F485, K482		Moulding (Incl. Weatherstrip) (Chrome)			
F485, K482		Left.....	202602	1	F47C, F486
F486, K48		Screw, No. 8 - 15 x 7/8" Ov. Hd. Cr.			
F485, K482		Rec. Tap (Chrome).....	520	10	All
F485, K482	Screw, No. 10 - 12 x 7/8" Ov. Hd. Cr.				
F485, K482	Rec. Tap (Chrome) (Repair Only)	630	10	All	
30.102 - FRONT DOORS (INCL. REGULATOR LOCK AND LOCKING RODS) (PRIME)					
F485, K482	30-1-7	Door, Right.....	202521	1	All
F485, K482	30-1-7	Door, Left.....	202522	1	All
F485, K482	30-6-38	Weatherstrip Set, Right, ...			
F485, K482	30-6-38	up to.....	202391	1	F47, K100
F485, K482	30-6-38	Weatherstrip Set, Left, ...			
F485, K482	30-6-38	up to.....	202392	1	F47, K100
F485, K482	30-6-49	Weatherstrip, Door Upper (72 1/2").....	202395	2	All
F485, K482	30-6-49	Weatherstrip, Door Lower (48").....	202370	2	All
F485, K482	30-6-42	Weatherstrip, Hinge Pillar Upper, (Moulded Sponge) Right.....	202396	1	All
F485, K482	30-6-42	Weatherstrip, Hinge Pillar Upper, (Moulded Sponge) Left.....	202400	1	All
F485, K482	30-6-37	Weatherstrip, Hinge Pillar Face (27 1/2") (Moulded Rubber) Right.....	202397	1	All
F485, K482	30-6-37	Weatherstrip, Hinge Pillar Face (27 1/2") (Moulded Rubber) Left.....	202401	1	All
F485, K482	30-6-39	Weatherstrip, Upper Hinge Filler (3 7/16") (Moulded Rubber) Right.....	202398	1	All
F485, K482	30-6-39	Weatherstrip, Upper Hinge Filler (3 7/16") (Moulded Rubber) Left.....	202402	1	All
F485, K482	30-6-40	Weatherstrip, Lower Hinge Filler (2 1/2") (Moulded Rubber) Right.....	202399	1	All
F485, K482	30-6-40	Weatherstrip, Lower Hinge Filler (2 1/2") (Moulded Rubber) Left.....	202403	1	All
30.104 - FRONT DOOR LOCKS					
F485, K482	30-6-54	Lock, Right.....	200665	1	All
F485, K482	30-6-54	Lock, Left.....	200666	1	All
F485, K482	30-6-54	Screw with L/W, No. 10 - 32 x 3/8" Ov. Hd. Cr. Rec.	202158	8	All
F485, K482	30-6-62	Rod, Locking, Right.....	202050	1	All
F485, K482	30-6-62	Rod, Locking, Left.....	202051	1	All
F485, K482	30-6-64	Button, Locking Rod (Oblong).....	200672	2	F47, K100
F485, K482	30-6-63	Button, Locking Rod (Ball) (No. 8 Hole)...	202168	2	F47, F47C, K100, K101
F485, K482	30-6-63	Button, Locking Rod (Ball) (No. 10 Hole)...	203289	2	F485, F486, K481, K482
F485, K482	30-6-55	Plate, Striker (Incl. Pin) Right.....	200578	1	All
F485, K482	30-6-55	Plate, Striker (Incl. Pin) Left.....	200579	1	All
F485, K482	30-6-55	Bolt, 1/4" - 28 x 5/8" 82° Cts'k.....	202233	4	All
F485, K482	30-6-55	Lockwasher, 9/32" Ext. Tooth 82° Cts'k..	202234	4	All

FIGURE NUMBER	GROUP	PART NAME and DESCRIPTION	PART NUMBER	QTY.	MODELS
30.104 - FRONT DOOR LOCKS (CONT'D.)					
		Shim, Striker Plate.....	202251	* All	
30.106 - FRONT DOOR LOCK REMOTE CONTROL					
30-6-65		Rod, Remote Control (Less Button) Right...	202983	1 All	
		Rod, Remote Control (Less Button) Left....	202984	1 All	
		Screw, No. 12 - 24 x 1/2" Rd. Hd. Sl. ..	589	6 All	
		Lockwasher, No. 12 Int. Ext. Tooth.....	588	6 All	
30-6-66		Button, Remote Control Push.....	202987	2 F47, F47C, F485, F486	
30-6-67		Button, Remote Control Push (Green).....	202988	2 K100	
30-6-67		Button, Remote Control Push (Sandtone Beige).....	202989	2 K100, K101, K481, K482	
30-6-69		Rivet, Tubular (17/32" Long).....	202991	2 All	
30-6-69		Rivet, Tubular (7/8" Long).....	202990	2 All	
30-6-68		Washer, 1/4" O.D. x 3/32" I.D.	202992	2 All	
30-6-70		Spring, Push Button.....	202200	2 All	
30-6-28		Escutcheon, Push Button.....	200641	2 F47, F47C, F485, F486	
		Escutcheon, Push Button.....	202059	2 K100, K101, K481, K482	
		Screw, No. 8 - 18 x 3/8" Fl. Hd. Cr. Rec. Tap.....	590	8 All	
		Washer, 3/4" O.D. x 25/64" I.D.	201897	8 All	
		Escutcheon, Push Button (Leather Trim) (Spec. Trim).....	203464	2 F486, K482	
		Retainer, Push Button Escutcheon (Leather Trim) (Spec. Trim).....	203465	2 F486, K482	
30.108 - FRONT DOOR HINGES					
30-6-33		Hinge, Upper, Right.....	200587	1 All	
		Hinge, Upper, Left.....	200588	1 All	
		Hinge, Lower, Right.....	200589	1 All	
		Hinge, Lower, Left.....	200590	1 All	
		Bolt with L/W, 5/16" - 24 x 7/8" Ov. Hd. Cr. Rec.	202119	28 All	
		Flatwasher, 5/16" Lg.	300	4 All	
		Nut, 5/16" - 24 Hx. Lt.	189	4 All	
30-6-36		Anti-Squeak, Door Hinge Arm, Upper.....	202903	2 All	
		Anti-Squeak, Door Hinge Arm, Lower.....	202904	2 All	
		Shim, Door Hinge Arm.....	202156	* All	
30.110 - FRONT DOOR INNER PANEL COVERS					
30-6-51		Cover, Regulator.....	200586	2 All	
		Screw, No. 8 - 15 x 3/8" Rd. Hd. Cr. Rec. Tap.....	576	8 All	
30-6-53		Cover, Lock.....	200585	2 All	
		Screw, No. 8 - 15 x 3/8" Rd. Hd. Cr. Rec. Tap.....	576	6 All	
30.112 - FRONT DOOR CHECK ARM					
30-6-35		Arm (Incl. Bumper).....	201568	2 All	
30-6-34		Pin, 1/4" x 7/16".....	201569	2 All	

*As required

FIGURE NUMBER	GROUP	PART NAME and DESCRIPTION	PART NUMBER	QTY.	MODELS		
30.114 - FRONT DOOR LOCKING HANDLES							
(Handles as listed do not incl. Lock Cylinder)							
30-6-43		Handle (incl. Escutcheon) (Stamped).....	200653	2	F47, K100		
30-6-44		Handle (incl. Escutcheon) (Die Cast).....	202479	2	All		
		Screw, No. 12 - 24 x 3/8" Pan Hd. Cr.					
		Rec. (Chrome).....	515	2	F47, K100		
		Lockwasher, No. 12	} Stamped Handle	514	2	F47, K100
		Int. Tooth.....					
		Lockwasher, No. 10	} Stamped Handle	259	2	F47, K100
		Int. Tooth.....					
		Nut, No. 10 - 24 Hx.	} Die Cast Handle	378	2	F47, K100
		Screw, No. 12 - 24 x 3/8" Rd. Hd. Cr.					
		Rec.	} Die Cast Handle	601	4	All
		Lockwasher, No. 12					
		Int. Ext. Tooth.....	} Die Cast Handle	588	4	All
		Screw with L/W, Handle Adjusting.....					
30-6-45		Escutcheon.....	202235	*	F47, K100		
30-6-48		Lock Cylinder and Keys.....	} Stamped Handle	201904	2	F47, K100
		Lock Cylinder and Key Kit (incl. Ignition and (2) Door Lock Cylinders and Keys).....					
		Escutcheon.....	} Die Cast Handle	201888	2	F47, K100
30-6-46		Lock Cylinder and Keys.....					
30-6-47		Lock Cylinder and Key Kit (incl. Ignition and (2) Door Lock Cylinders and Keys).....	} Die Cast Handle	201911	1	F47, K100
		Escutcheon.....					
		Lock Cylinder and Keys.....	} Die Cast Handle	202481	2	All
		Lock Cylinder and Key Kit (incl. Ignition and (2) Door Lock Cylinders and Keys).....					
		Key-Cut.....(Code KF 250 to 500)..	201944	2	All		
		Key-Blank.....(Code KF 250 to 500)..	201943	1	All		
		Key-Cut.....(Code CH 501 to 750)..	201890	*	All		
		Key-Blank.....(Code CH 501 to 750)..	200655	*	All		
		Key-Cut.....(Code CH 501 to 750)..	202494	*	F47, K100		
		Key-Blank.....(Code CH 501 to 750)..	202495	*	F47, K100		
30.119 - REAR DOOR GARNISH MOULDING							
		Moulding (incl. Weatherstrip) (Prime), Right.....	200677	1	All except F47C, F486		
		Moulding (incl. Weatherstrip) (Prime), Left.....	200678	1	All except F47C, F486		
		Moulding (incl. Weatherstrip) (Chrome), Right.....	202603	1	F47C, F486		
		Moulding (incl. Weatherstrip) (Chrome), Left.....	202604	1	F47C, F486		
		Screw, No. 8 - 15 x 7/8" Ov. Hd. Cr. Rec. Tap (Chrome).....	520	12	All		
		Screw, No. 10 - 12 x 7/8" Ov. Hd. Cr. Rec. Tap (Chrome) (Repair Only).....	630	12	All		
30.120 - REAR DOORS (INCL. REGULATOR, LOCK AND LOCKING RODS) (PRIME)							
		Door, Right.....	202524	1	All		

*As required

FIGURE NUMBER	GROUP	PART NAME and DESCRIPTION	PART NUMBER	QTY.	MODELS
30.120 - REAR DOORS (INCL. REGULATOR, LOCK AND LOCKING RODS) (PRIME) (CONT'D.)					
30-1-6		Door, Left.....	202525	1	All
		Weatherstrip Set, Right, up to.....	{ Body No. } { F47-3043, } { K100-4916 }	202393	1 F47, K100
		Weatherstrip Set, Left, up to.....		202394	1 F47, K100
		Weatherstrip, Upper (76 3/4") Right.....	202404	1	All
		Weatherstrip, Upper (76 3/4") Left.....	202405	1	All
		Weatherstrip, Lower (38") (Moulded Rubber).....	202406	2	All
		Weatherstrip, Hinge Pillar Face (Moulded Rubber) Right.....	202407	1	All
		Weatherstrip, Hinge Pillar Face (Moulded Rubber) Left.....	202410	1	All
30.122 - REAR DOOR LOCKS AND CONTROLS					
		Lock, Right.....	200667	1	All
		Lock, Left.....	200668	1	All
		Screw with L/W, No. 10 - 32 x 3/8" Ov. Hd. Cr. Rec.	202158	8	All
		Rod, Locking.....	200580	2	All
		Button, Locking Rod (Oblong).....	200672	2	F47, K100
		Button, Locking Rod (Ball) (No. 8 Hole)...	202168	2	F47, F47C, K100, K101
		Button, Locking Rod (Ball) (No. 10 Hole)..	203289	2	F485, F486, K481, K482
		Lever, Lock Locking, Right.....	200673	1	All
		Lever, Lock Locking, Left.....	200674	1	All
		Bellcrank, Locking Rod, Right.....	202165	1	All
		Bellcrank, Locking Rod, Left.....	202166	1	All
		Bolt, 1/4" - 20 x 1/2" Rd. Hd. Sl.	320	2	All
		Lockwasher, 1/4" Med.	190	2	All
		Bolt, 5/16" - 24 x 11/32" Rd. Hd. Sl. ..	203109	2	All
		Washer, Spring, 21/32" O.D. x 7/16" I.D. .	203110	2	All
		Anti-Rattler, Bellcrank.....	203001	2	All
		Rod, Door Lock Bellcrank to Lock.....	200581	2	All
		Plate, Striker (Incl. Pin) Right.....	200578	1	All
		Plate, Striker (Incl. Pin) Left.....	200579	1	All
		Bolt, 1/4" - 28 x 5/8" 82° Cts'k.....	202233	4	All
		Lockwasher, 9/32" Ext. Tooth 82° Cts'k..	202234	4	All
		Shim, Striker Plate.....	202251	*	All
30.124 - REAR DOOR LOCK REMOTE CONTROLS					
		Rod, Remote Control (Less Button) Right...	202985	1	All
		Rod, Remote Control (Less Button) Left....	202986	1	All
		Screw, No. 12 - 24 x 1/2" Rd. Hd. Sl. ..	589	6	All
		Lockwasher, No. 12 Int. Ext. Tooth.....	588	6	All
		Button, Remote Control Push.....	202987	2	F47, F47C, F486, F485
		Button, Remote Control Push (Green).....	202988	2	K100
		Button, Remote Control Push (Sandtone Beige).....	202989	2	K100, K101, K481, K482
		Rivet, Tubular (17/32" Long).....	202991	2	All
		Rivet, Tubular (7/8" Long).....	202990	2	All
		Washer, 1/4" O.D. x 3/32" I.D.	202992	2	All
		Spring, Push Button.....	202200	2	All
30-10-11		Escutcheon, Push Button.....	200641	2	F47, F47C, F485, F486

*As required

BODY DOORS, LOCKS, HINGES, HANDLES & REMOTE CONTROLS

30.100

FIGURE NUMBER	GROUP	PART NAME and DESCRIPTION	PART NUMBER	QTY.	MODELS
30.124 - REAR DOOR LOCK REMOTE CONTROLS (CONT'D.)					
		Escutcheon, Push Button.....	202059	2	K100, K101, K481, K482
		Screw, No. 8 - 18 x 3/8" Fl. Hd. Cr.			
		Rec. Tap.....	590	8	All
		Washer, 3/4" O.D. x 25/64" I.D.	201897	8	All
		Escutcheon, Push Button (Leather Trim) (Spec. Trim).....	203464	2	F486, K482
		Retainer, Push Button Escutcheon (Leather Trim) (Spec. Trim).....	203465	2	F486, K482
30.126 - REAR DOOR HINGES					
		Hinge, Upper, Right.....	200594	1	All
		Hinge, Upper, Left.....	200595	1	All
		Hinge, Lower, Right.....	200596	1	All
		Hinge, Lower, Left.....	200597	1	All
		Bolt with L/W, 5/16" - 24 x 7/8" Ov. Hd. Cr. Rec.	202119	26	All
		Bolt with L/W, 5/16" - 24 x 1/2" Fl. Hd. Cr. Rec. (Upper Hinge to Pillar).....	202159	2	All
		Anti-Squeak, Door Hinge.....	202904	4	All
		Shim, Door Hinge Arm.....	202156	*	All
30.128 - REAR DOOR REGULATOR COVER					
		Cover.....	200586	2	All
		Screw, No. 8 - 15 x 3/8" Pan Hd. Cr. Rec. Tap.....	576	8	All
30.130 - REAR DOOR ARM REST PLATE					
		Plate.....	200591	2	All
		Screw, No. 8 - 15 x 3/8" Pan Hd. Cr. Rec. Tap.....	576	8	All
30.132 - REAR DOOR CHECK ARM					
		Arm (incl. Bumper).....	201568	2	All
		Pin, 1/4" x 7/16".....	201569	2	All
30.134 - REAR DOOR HANDLES					
		Handle (incl. Escutcheon) (Stamped).....	200645	2	F47, K100
		Handle (incl. Escutcheon) (Die Cast).....	202480	2	All
		Screw, No. 12 - 24 x 3/8" Pan Hd. Cr. Rec. (Chrome).....	515	2	F47, K100
		Lockwasher, No. 12 Int. Tooth.....	514	2	F47, K100
		Lockwasher, No. 10 Int. Tooth.....	259	2	F47, K100
		Nut, No. 10 - 24 Hx.	378	2	F47, K100

Stamped Handle

*As required

FIGURE NUMBER	GROUP	PART NAME and DESCRIPTION	PART NUMBER	QTY.	MODELS
---------------	-------	---------------------------	-------------	------	--------

FIGUR NUMBER

30.134 - REAR DOOR HANDLES (CONT'D.)

Screw, No. 12 - 24 x 3/8" Rd. Hd. Cr. Rec. ...	} Die Cast Handle	... 601	4	All
Lockwasher, No. 12 Int. Ext. Tooth.....				
Screw with L/W, Handle Adjusting, No. 10 - 24 x 1/4" Rd. Hd. Cr. Rec.		202235	*	F47, K100
Escutcheon, Handle (Stamped Handle).....		201904	2	F47, K100
Escutcheon, Handle (Die Cast Handle).....		202481	2	All

30-0

30-
30-

30-
30-
30-

30-

30-
30-

30-

30-
30-

*As required

*As

FIGURE NUMBER	GROUP	PART NAME and DESCRIPTION	PART NUMBER	QTY.	MODELS
30.201 - DOOR AND VENTILATOR GLASS					
HOW TO ORDER GLASS.					
Glass is not carried in stock.					
When replacement is necessary, glass requirements should be procured from the stores or warehouses of Libbey Owens-Ford Glass Company, the Pittsburg Plate Glass Company or the W. P. Fuller Company. If the above glass companies do not have a local representative you should order your glass requirements through your Car Distributor.					
The glass manufacturers have been furnished with all pertinent information, therefore when placing orders for glass always furnish the correct part number and the type of car for which the glass is required.					
The above applies to glass only and not assemblies which may include a frame or a channel. Such parts must be ordered from your Car Distributor or the Kaiser-Frazer Sales Corporation, Willow Run, Michigan.					
30-6-1		Glass, Front Door.....	200642	2	All
		Glass, Rear Door.....	200645	2	All
		Glass, Front Vent.....	200750	2	All
		Glass, Rear Vent.....	200770	2	All
30.202 - FRONT DOOR GLASS CHANNEL					
		Channel, Window Glass Lower, Right.....	200643	1	All
30-6-56		Channel, Window Glass Lower, Left.....	200644	1	All
30-6-61		Seal, Window Glass to Channel.....	202527	2	All
30.204 - FRONT WINDOW GLASS RUN, RETAINERS AND WEATHERSTRIP					
		Run, Front Upper.....	202283	2	All
30-6-16		Run, Front Lower.....	202282	2	All
		Run, Rear, Right.....	200727	1	All
30-6-71		Run, Rear, Left.....	200728	1	All
30-6-60		Clip, Glass Run, after Body No. F47-11167, K100-20833.....	202531	4	All
		Retainer, Rear Glass Run Channel, Right...	200598	1	All
30-6-50		Retainer, Rear Glass Run Channel, Left....	200599	1	All
		Screw with L/W, No. 12 - 24 x 1/2" Ov. Hd. Cr. Rec.	202157	8	All
		Weatherstrip (Chrome Edged) Inner, Right..	202917	1	All
30-6-3		Weatherstrip (Chrome Edged) Inner, Left...	202918	1	All
		Weatherstrip (Chrome Edged) Outer, Right..	202043	1	All
30-6-4		Weatherstrip (Chrome Edged) Outer, Left...	202044	1	All
30.206 - FRONT DOOR VENTILATOR, FRAME AND GLASS					
		Ventilator Complete, Right.....	202532	1	All
30-6-7		Ventilator Complete, Left.....	202533	1	All
		Screw, No. 6 - 18 x 7/8" Rd. Hd. Cr. Rec. Tap.	572	*	All
		Frame and Glass, Right.....	200748	1	All
30-6-8		Frame and Glass, Left.....	200749	1	All
30-6-6		Seal, Glass.....	200751	2	All
		Weatherstrip, Vent. Frame, Right.....	200756	1	All

*As required

30.200 BODY DOOR WINDOWS, VENTILATORS, REGULATORS & CONTROLS

BOD

FIGUR
NUMBE

FIGURE NUMBER	GROUP	PART NAME and DESCRIPTION	PART NUMBER	QTY.	MODELS
30.206 - FRONT DOOR VENTILATOR, FRAME AND GLASS (CONT'D.)					
30-6-5		Weatherstrip, Vent. Frame, Left.....	200757	1	All
		Bar, Vent. Div., Right, up to.....	200766	1	F47, K100
30-6-12		Bar, Vent. Div., Left, up to.....	200767	1	F47, K100
		Bar, Vent. Div. (Incl. Channel and Weather- strip) Right, after....	203004	1	All
30-6-13		Bar, Vent. Div. (Incl. Channel and Weather- strip) Left, after.....	203005	1	All
		Rivet, Tubular, 9/64" x 13/64".....	203006	8	All
		Screw, No. 10 - 24 x 5/16" Rd. Hd. Cr. Rec.	583	6	All
		Lockwasher; No. 10 Ext. Tooth.....	294	6	All
		Weatherstrip, Div. Bar, Right.....	202284	1	All
30-6-14		Weatherstrip, Div. Bar, Left.....	202285	1	All
30-6-15		Run, Div. Bar, Upper.....	202283	2	All
		Hinge, Upper, Right.....	203014	1	All
30-6-11		Hinge, Upper, Left.....	203015	1	All
30-6-9		Rivet, Tubular, 9/64" x 1/4".....	203016	4	All
30-6-10		Swivel, Upper Hinge.....	200753	2	All
30-6-20		Flatwasher.....	200754	2	All
30-6-19		Stop, Lower Pivot.....	200755	4	All
30-6-18		Spring, Lower Pivot.....	200752	2	All
30-6-17		Nut, Lower Pivot, 5/16" - 24 Hx. Lt.	189	2	All
		Handle, Vent. Window, Right.....	200758	1	All
30-6-24		Handle, Vent. Window, Left.....	200759	1	All
30-6-23		Pin.....	200761	2	All
30-6-26		Key.....	200762	2	All
30-6-27		Button.....	200763	2	All
30-6-25		Spring.....	200764	2	All
30-6-21		Washer, Spring, 19/32 O.D. x 3/8 I.D. ..	200765	2	All
30-6-22		Shaft, Vent. Window Handle.....	200760	2	All
30.208 - FRONT WINDOW REGULATORS AND GLASS LIFTERS					
		Regulator, Right.....	202534	1	All
30-6-52		Regulator, Left.....	202535	1	All
		Bolt, 1/4" - 28 x 3/8" Hx. Hd.	506	4	All
		Lockwasher, 1/4" Int. Ext. Tooth.....	400	4	All
30-6-32		Handle, Regulator.....	200656	2	F47, F47C, F485, F486
		Handle, Regulator.....	202375	2	K100, K101, K481, K482
30-6-29		Spring.....	200658	2	All
30-6-31		Pin.....	202313	2	All
30-6-30		Escutcheon, Regulator Handle.....	200657	2	F47, F47C, F485, F486
		Escutcheon, Regulator Handle.....	202169	2	K100, K101, K481, K482
		Lifter, Glass, Right.....	200706	1	All
30-6-57		Lifter, Glass, Left.....	200707	1	All
30-6-59		Flatwasher, 3/4" O.D. x 7/16" I.D.	200710	6	All
		Screw, No. 12 - 24 x 1/2" Rd. Hd. Sl. ..	589	2	All
		Screw, No. 12 - 24 x 3/8" Rd. Hd. Cr. Rec.	601	6	All

30-6-

BODY DOOR WINDOWS, VENTILATORS, REGULATORS & CONTROLS 30.200

FIGURE NUMBER	GROUP	PART NAME and DESCRIPTION	PART NUMBER	QTY.	MODELS
30.208 - FRONT WINDOW REGULATORS AND GLASS LIFTERS (CONT'D.)					
30-6-58		Lockwasher, No. 12 Int. Ext. Tooth.....	588	6	All
		Clip.....	200711	6	All
30.210 - REAR DOOR GLASS RUN CHANNEL					
		Channel, Window Glass Lower, Right.....	200646	1	All
		Channel, Window Glass Lower, Left.....	200647	1	All
		Seal, Window Glass (1 1/2" x 17 15/16" x .075).....	202536	2	All
		Seal, Window Glass (1 1/2" x 17 15/16" x .085).....	202537	*	All
30.212 - REAR WINDOW GLASS RUNS AND WEATHERSTRIP					
		Run, Front, Right.....	200729	1	All
		Run, Front, Left.....	200730	1	All
		Run, Rear, Upper.....	202283	2	All
		Run, Rear, Lower.....	202282	2	All
		Clip, Glass Run, after Body No. F47-11167, K100-20833.....	202531	4	All
		Weatherstrip (Chrome Edged) Inner, Right..	202919	1	All
		Weatherstrip (Chrome Edged) Inner, Left...	202920	1	All
		Weatherstrip (Chrome Edged) Outer, Right..	202046	1	All
		Weatherstrip (Chrome Edged) Outer, Left...	202047	1	All
30.216 - REAR DOOR VENTILATOR FRAME AND GLASS					
		Ventilator Complete, Right.....	202541	1	All
		Ventilator Complete, Left.....	202542	1	All
		Screw, No. 6 - 18 x 7/8" Rd. Hd. Cr. Rec. Tap.....	572	*	All
		Frame and Glass, Right.....	200768	1	All
		Frame and Glass, Left.....	200769	1	All
		Seal, Vent. Glass.....	200771	2	All
		Weatherstrip, Vent. Frame, Right.....	200776	1	All
		Weatherstrip, Vent. Frame, Left.....	200777	1	All
		Bar, Vent. Div., Right, up to.....	} 200786	1	F47, K100
		Bar, Vent. Div., Left, up to.....			
		Bar, Vent. Div., (Incl. Channel and Weatherstrip) Right.....	} 200787	1	F47, K100
		Bar, Vent. Div., (Incl. Channel and Weatherstrip) Left.....			
		Rivet, Tubular, 9/64" x 13/64".....	203007	1	All
		Screw, No. 10 - 24 x 5/16" Rd. Hd. Cr. Rec.	203008	1	All
		Lockwasher, No. 10 Ext. Tooth.....	203006	8	All
		Weatherstrip, Div. Bar, Right.....	583	6	All
		Weatherstrip, Div. Bar, Left.....	294	6	All
		Weatherstrip, Div. Bar, Right.....	202286	1	All
		Weatherstrip, Div. Bar, Left.....	202287	1	All

*As required

30.200 BODY DOOR WINDOWS, VENTILATORS, REGULATORS & CONTROLS

FIGURE NUMBER	GROUP	PART NAME and DESCRIPTION	PART NUMBER	QTY.	MODELS
30.216 - REAR DOOR VENTILATOR FRAME AND GLASS (CONT'D.)					
		Run, Div. Bar, Upper.....	202283	2	All
		Pivot, Vent. Window, Upper.....	200772	2	All
		Plate, Vent. Window Upper Pivot.....	200773	2	All
		Screw, No. 8 - 15 x 1/4" Pan Hd. Sl. ...	200774	2	All
		Stop, Lower Pivot.....	200775	4	All
		Spring, Lower Pivot.....	200752	2	All
		Nut, Lower Pivot, 5/16" - 24 Hx. Lt.	189	2	All
		Handle, Vent. Window, Right.....	200758	1	All
		Handle, Vent. Window, Left.....	200759	1	All
		Pin.....	200761	2	All
		Key.....	200762	2	All
		Button.....	200763	2	All
		Spring.....	200764	2	All
		Washer, Spring, 19/32" O.D. x 3/8" I.D..	200765	2	All
		Shaft, Vent. Window Handle.....	200760	2	All
30.218 - REAR WINDOW REGULATOR AND GLASS LIFTERS					
		Regulator, Right.....	202543	1	All
		Regulator, Left.....	202544	1	All
		Bolt, 1/4" - 28 x 3/8" Hx. Hd.	506	4	All
		Lockwasher, 1/4" Int. Ext. Tooth.....	400	4	All
30-10-13		Handle, Regulator.....	200656	2	F47, F47C, F485, F486
		Handle, Regulator.....	202375	2	K100, K101, K481, K482
		Spring.....	200658	2	All
		Pin.....	202313	2	All
		Escutcheon, Regulator Handle.....	200657	2	F47, F47C, F485, F486
		Escutcheon, Regulator Handle.....	202169	2	K100, K101, K481, K482
		Lifter, Glass, Right.....	200706	1	All
		Lifter, Glass, Left.....	200707	1	All
		Flatwasher, 3/4" O.D. x 7/16" I.D.	200710	6	All
		Screw, No. 12 - 24 x 1/2" Rd. Hd. Sl. ..	589	2	All
		Screw, No. 12 - 24 x 3/8" Rd. Hd. Cr.			
		Rec.	601	4	All
		Lockwasher, No. 12 Int. Ext. Tooth.....	588	6	All
		Clip.....	200711	6	All

FIGURE NUMBER	GROUP	PART NAME and DESCRIPTION	PART NUMBER	QTY.	MODELS
30.301 - WINDSHIELD GLASS					
HOW TO ORDER GLASS					
Glass is not carried in stock.					
When replacement is necessary, glass requirements should be procured from the stores or warehouses of Libbey Owens-Ford Glass Company, the Pittsburg Plate Glass Company or the W. P. Fuller Company. If the above glass companies do not have a local representative you should order your glass requirements through your Car Distributor.					
The glass manufacturers have been furnished with all pertinent information, therefore when placing orders for glass always furnish the correct part number and the type of car for which the glass is required.					
The above applies to glass only and not assemblies which may include a frame or a channel. Such parts must be ordered from your Car Distributor or the Kaiser-Frazer Sales Corporation, Willow Run, Michigan.					
30-7-5		Glass.....	200648	2	All
30.302 - WINDSHIELD WEATHERSTRIP					
30-7-4		Weatherstrip.....	200649	1	All
30.304 - WINDSHIELD GARNISH MOULDING - INNER					
30-7-6		Moulding (Prime) Right.....	200679	1	F47, K100, K481
30-7-10		Moulding (Prime) Left.....	200680	1	F47, K100, K481
30-7-6		Moulding (Chrome) Right.....	202555	1	All except K100, K481
30-7-10		Moulding (Chrome) Left.....	202556	1	All except K100, K481
30-7-9		Screw, No. 8 - 15 x 1" Ov. Hd. Cr. Rec.			
		Tap. (Chrome).....	533	20	All
30-7-9		Screw, No. 10 - 12 x 1" Ov. Hd. Cr.			
		Rec. Tap. (Chrome) (Repair Only).....	631	20	All
		Plug, Garnish Mld'g. Defroster (Rubber)....	203053	4	All
30-7-8		Clip (Prime).....	200681	2	F47, K100, K481
30-7-8		Clip (Chrome).....	202557	2	All except K100, K481
30-7-9		Screw, No. 8 - 15 x 1" Ov. Hd. Cr. Rec.			
		Tap. (Chrome) (Repair Only).....	631	2	All
30.306 - WINDSHIELD DIVISION BAR - INNER					
30-7-7		Bar (Prime).....	200682	1	F47, K100, K481
30-7-7		Bar (Chrome).....	202558	1	All except K100, K481
		Screw, No. 10 - 32 x 1 1/4" Ov. Hd.			
		Cr. Rec. (Chrome).....	535	5	All
30.308 - WINDSHIELD DIVISION BAR - OUTER					
30-7-1		Bar (Chrome).....	200683	1	All
30-7-3		Retainer, Bar.....	200684	1	All
		Screw, No. 10 - 32 x 1 1/4" Ov. Hd.			
		Cr. Rec. (Chrome).....	535	5	All
30-7-2		Weatherseal.....	200685	1	All

FIGURE NUMBER	GROUP	PART NAME and DESCRIPTION	PART NUMBER	QTY.	MODELS
30.352 - WINDSHIELD WIPER MOTOR					
		Motor and Drive.....	200788	1	All
30-8-32		Lockwasher, No. 10 Ext. Tooth.....	294	2	All
30-8-33		Screw, No. 10 - 24 x 7/8" Rd. Hd. Sl. ..	401	2	All
		Spacer.....	200745	1	All
30-8-29		Motor.....	202083	1	All
30-8-30		Driver, Motor.....	202084	1	All
30-8-6		Lockwasher, No. 10 Med.	254	2	All
30-8-7		Screw, No. 10 - 3/2 x 5/8" Rd. Hd. Sl. ..	419	2	All
30-8-31		Insulator, Motor Driver Coupling.....	202085	1	All
30.354 - WINDSHIELD WIPER CONTROL					
30-8-28		Control (incl. Cable).....(L.H.D.)..	200738	1	All
30-8-27		Spacer.....	200739	1	All
30-8-26		Nut, 7/16" - 28.....	200740	1	All
		Grommet (Thru Dash).....	200499	1	All
30-8-25		Knob.....(L.H.D.)..	200741	1	All
		Control (incl. Cable).....(R.H.D.)..	203624	1	F485, K481
		Nut, 7/16" - 28.....(R.H.D.)..	203625	1	F485, K481
		Knob (Plastic).....(R.H.D.)..	203626	1	F485
		Knob (Chrome).....(R.H.D.)..	203627	1	F485
		Knob (Plastic).....(R.H.D.)..	203628	1	K481
30.356 - WINDSHIELD WIPER CABLE TENSION PULLEY					
30-8-5		Pulley, Right.....	200731	1	All
30-8-23		Pulley, Left.....	200732	1	All
30-8-24		Bolt, 1/4" - 20 x 1/2" Rd. Hd. Sl.	320	4	All
30-8-22		Lockwasher, 1/4" Ext. Tooth.....	370	4	All
30.358 - WINDSHIELD WIPER ARM DRIVE BODY					
30-8-4		Drive Body (incl. Cable) Right.....	200733	1	All
30-8-10		Drive Body (incl. Cable) Left.....	200734	1	All
30-8-2		Spacer (Die Cast).....	200736	2	All
30-8-3		Spacer (Leather).....	200735	2	All
30-8-1		Nut, 5/8" - 24.....	200737	2	All
30.360 - WINDSHIELD WIPER ARMS AND BLADES					
30-8-9		Arm, Right.....	200743	1	All
30-8-9		Arm, Left.....	200744	1	All
30-8-8		Blade.....	200742	2	All
30.362 - WINDSHIELD WIPER VACUUM TANK					
30-8-21		Tank (incl. Check Valve).....	201634	1	F47, K100, F47C
30-8-20		Valve, Check.....	201854	1	F47, K100, F47C
30-8-17		Bracket (4 3/16" Long).....	201826	1	F47, K100, F47C
30-8-16		Bracket (6 3/8" Long).....	201827	1	F47, K100, F47C
		Bolt, 1/4" - 20 x 1/2" Hx. Hd. Tap. .	} Bracket to Tank	179	4 F47, K100, F47C
		Lockwasher, 1/4"			
		Int. Ext. Tooth....			
		Nut, 1/4" - 20 Hx.Lt.	203	4	F47, K100, F47C

FIGURE NUMBER	GROUP	PART NAME and DESCRIPTION	PART NUMBER	QTY.	MODELS
30.362 - WINDSHIELD WIPER VACUUM TANK (CONT'D.)					
		Lockwasher, 5/16" Int. Ext. Tooth... Nut, 5/16" - 24 Hx. Lt.	} Bracket to Hinge	..	226 2 F47, K100, F47C
30.364 - VACUUM TANK AND VACUUM PUMP TUBES					
		Tube, Manifold to Tank Hose (3/8" x 4")... Connector, Manifold to Tank (9/16" - 18 x 1/8" Pipe)..... Nut, Compression (9/16" - 18 Hx.).....	201828 201829 201830	1 1 1	F47, F47C, K100 F47, F47C, K100 F47, F47C, K100
30-8-19		Hose, Manifold to Tank (11/32" x 24").....	201832	1	F47, F47C, K100
30-8-18		Hose, Tank to W/S Wiper (7/32" x 38").....	201833	1	F47, F47C, K100
30-8-12		Tube, Manifold to Pump (incl. Nuts).....	202879	1	All
30-8-15		Elbow, Manifold to Pump Tube.....	202123	1	All
30-8-13		Tube, Pump to W/S Wiper Hose (incl. Nuts).	203056	1	All
30-8-14		Connector, Pump to W/S Wiper Hose Tube (1/4" x 1/8" Pipe).....	202125	1	All
30-8-11		Hose, Pump Tube to W/S Wiper (7/32" x 38").....	201833	1	All
		Clip, W/S Wiper Tube to Cowl.....	201831	1	All

FIGURE NUMBER	GROUP	PART NAME and DESCRIPTION	PART NUMBER	QTY.	MODELS
30.402 - INSTRUMENT BOARD					
30-1-15		Board (incl. Dummy Door) up to.....	Body No. (L.H.D.)... F47-27620	200515	1 F47
		Board (incl. Dummy Door) after.....	(L.H.D.)...	202488	1 F47, F485
		Board (incl. Dummy Door) up to.....	Body No. (L.H.D.)... K100-31294	202373	1 K100
		Board (incl. Dummy Door) after.....	(L.H.D.)...	202489	1 K100, K101, K481, K482
		Board (incl. Dummy Door) up to.....	Body No. (L.H.D.)... F47C-12174	202605	1 F47C
		Board (incl. Dummy Door) after.....	202871	1 F47C, F486
		Board (incl. Dummy Door) (Export) (L.H.D.)		202872	1 K100, K101, K481, K482
		Board (R.H.D.).....		203629	1 F485, K481
		Screw, No. 10 - 16 x 1/2"			
		Pan Hd. Cr. Rec. Tap.	to W/S Opening Frame	555	8 All
		Flatwasher, No. 10 Sm.		248	8 All
		Bolt, 1/4" - 20 x 3/4"			
		Hx. Hd.	to dash	529	2 All
		Lockwasher, 1/4" Med.		190	2 All
		Bolt, 1/4" - 20 x 3/4"			
		Hx. Hd.		529	2 All
		Lockwasher, 1/4" Med.		190	2 All
		Support, Right.....	(L.H.D.)...	202500	1 All
		Support, Left.....	(L.H.D.)...	202501	1 All
		Brace, Inst. Board to Dash, Inner (R.H.D.).....		203630	1 F485, F481
		Brace, Inst. Board to Dash, Outer (R.H.D.).....		203631	1 F485, K481
		Bolt, 1/4" - 20 x 3/4" Hx. Hd.		529	2 All
		Lockwasher, 1/4" Med.		190	2 All
		Nut, 1/4" - 20 Hx. Hd. Lt.		203	2 All
		Reinforcement, Board to Dash (L.H.D.).....		202502	1 All
		Bolt, 1/4" - 20 x 3/4"	to dash		
		Hx. Hd.		529	1 All
		Lockwasher, 1/4" Med.		190	1 All
		Bolt, 1/4" - 20 x 9/16" Hx. Hd. (to Board).....		394	1 All
		Anti-Squeak, Inst. Board Side (6 1/4" Long).....		202503	2 All
		Anti-Squeak, Inst. Board Top (14" Long)...		202504	2 All
		Anti-Squeak, Inst. Board Top (12" Long)...		202717	2 All
		Welt, Inst. Board to W/S Garnish Mld'g. ..		202718	1 All
		Welt, Inst. Board to W/S Garnish Mld'g. (Leather Trim).....		203261	1 F486, K482
19-1-40		Panel, Inst. Board Dummy.....		200538	1 All except F47C, F486
		Panel, Inst. Board Dummy.....		202608	1 F47C, F486
		Spacer.....		202505	4 All
		Lockwasher, No. 10 Int. Ext. Tooth.....		292	4 All
		Nut, No. 10 - 32 Hx.		202	4 All
30.404 - INSTRUMENT BOARD GLOVE COMPARTMENT					
		Box, Glove.....	(L.H.D.)...	200536	1 All

INSTRUMENT BOARD (PANEL)

30.400

FIGURE NUMBER	GROUP	PART NAME and DESCRIPTION	PART NUMBER	QTY.	MODELS	
30.404 - INSTRUMENT BOARD GLOVE COMPARTMENT (CONT'D.)						
		Screw, No. 10 - 16 x 3/8" Rd. Hd.				
		Cr. Rec. Tap.	532	11	All	
		Lockwasher, No. 10 Int. Tooth.....	259	11	All	
		Box, Glove.....(R.H.D.)..	203632	1	F485, K481	
		Screw, No. 10 - 12 x 1/2" Rd. Hd.				
		Cr. Rec. Tap.	648	9	F485, K481	
		Lockwasher, No. 10 Ext. Tooth.....	294	9	F485, K481	
		Door, Glove Comp't.,				
		up to.....	Body No. (L.H.D.)..	200537	1	F47, K100, K481
19-1-17		Door, Glove Comp't.,				
		after.....	(L.H.D.)..	202506	1	F47, K101, F485, K482
		Door, Glove Comp't.(L.H.D.)..	202611	1	F47C, F486	
		Door, Glove Comp't.(R.H.D.)..	203633	1	F485, K481	
		Bumper, Glove Box Door, Upper...(L.H.D.)..	200539	2	All	
		Pad, Glove Box Door Bumper, Lower (L.H.D.)	200540	2	All	
		Screw, No. 8 - 15 x 3/8" Rd. Hd.				
		Cr. Rec. Tap.	576	2	All	
		Hinge, Glove Box Door.....(L.H.D.)..	200541	1	All	
		Screw, No. 10 - 16 x 3/8" Rd. Hd.				
		Cr. Rec. Tap.	532	5	All	
		Lockwasher, No. 10 Int. Tooth.....	259	5	All	
		Screw, No. 6 - 20 x 1/4" Rd. Hd.				
		Cr. Rec. Tap.	563	5	All	
		Lockwasher, No. 6 Ext. Tooth.....	518	5	All	
		Spring, Glove Box Door Hinge....(L.H.D.)..	202007	1	All	
		Hinge, Glove Box Door, Inner....(R.H.D.)..	203634	1	F485, K481	
		Hinge, Glove Box Door, Outer....(R.H.D.)..	203635	1	F485, K481	
		Screw, No. 10 - 32 x 3/8"				
		Rd. Hd. Cr. Rec.	to	577	4	F485, K481
		Lockwasher, No. 10 Ext.				
		Tooth.....		294	4	F485, K481
		Screw, No. 10 - 32 x 1/2"				
		Rd. Hd. Cr. Rec.	to	654	4	F485, K481
		Flatwasher, No. 10 Sm.				
		Lockwasher, No. 10 Ext.	Board	294	4	F485, K481
		Tooth.....				
		Nut, No. 10 - 32 Hx.		202	4	F485, K481
		Latch, Glove Box Door with Push Button				
		(L.H.D.).....	200518	1	F47, K100, K481	
19-1-18		Lock, Glove Box Door (incl. Cylinder and				
		Keys (L.H.D.).....	201914	1	All except K100, K481	
		Lock, Glove Box Door (incl. Cylinder and				
		Keys (R.H.D.).....	203636	1	F485, K481	
		Screw, No. 10 - 32 x 3/8" Rd. Hd. Cr.				
		Rec. (L.H.D.).....	577	2	All	
		Lockwasher, No. 10 Int. Ext. Tooth				
		(L.H.D.).....	292	2	All	
		Lockwasher, No. 10 Ext. Tooth				
		(R.H.D.).....	294	2	F485, K481	
		Nut, Acorn, No. 10 - 24 (R.H.D.).....	655	2	F485, K481	
		Lock Cylinder and Keys (L.H.D.).....	201913	1	All except K100, K481	
		Lock Cylinder and Key Kit (Rear Comp't.,				
		Glove Comp't.)(L.H.D.).....	201912	1	All except K100, K481	
		Lock Cylinder and Key Kit (Rear Compt.,				
		Glove Comp't.)(R.H.D.).....	203637	1	F485, K481	

FIGURE NUMBER	GROUP	PART NAME and DESCRIPTION	PART NUMBER	QTY.	MODELS
30.404 - INSTRUMENT BOARD GLOVE COMPARTMENT (CONT'D.)					
		Key-Cut (KF Code 501 to 749) (L.H.D.) (R.H.D.)	202366	*	All except K100, K481
		Key-Blank (KF Code 501 to 749) (L.H.D.) (R.H.D.)	202367	*	All except K100, K481
		Escutcheon, Glove Box Door Lock (L.H.D.) (R.H.D.)	202507	1	All except K100, K481
		Plate, Glove Box Door Striker (L.H.D.)	202508	1	All
		Plate, Glove Box Door Striker (R.H.D.)	203638	1	F485, K481
		Screw, No. 10 - 16 x 3/8" Rd. Hd.			
		Cr. Rec. Tap.	532	2	All
		Lockwasher, No. 10 Int. Tooth.	259	2	All
30.406 - INSTRUMENT BOARD ASH RECEIVER					
		Ash Receiver Complete (incl. Retainer) Right (L.H.D.)	200698	1	F47, F47C, F485, F486
		Ash Receiver Complete (incl. Retainer) Left (L.H.D.)	200699	1	F47, F47C, F485, F486
		Ash Receiver Complete (incl. Retainer) Right (L.H.D.)	202490	1	K100, K101, K481, K482
		Ash Receiver Complete (incl. Retainer) Left (L.H.D.)	202491	1	K100, K101, K481, K482
19-1-22		Ash Receiver, Right (L.H.D.)	200700	1	F47, F47C, F485, F486
19-1-35		Ash Receiver, Left (L.H.D.)	200701	1	F47, F47C, F485, F486
		Ash Receiver (L.H.D.)	202272	2	K100, K101, K481, K482
		Ash Receiver (R.H.D.)	203639	1	F485, K481
		Bumper, Ash Receiver (L.H.D.)	202510	2	All
		Handle, Ash Receiver, Right (L.H.D.)	200702	1	F47, F47C, F485, F486
		Handle, Ash Receiver, Left (L.H.D.)	200703	1	F47, F47C, F485, F486
		Handle, Ash Receiver (L.H.D.)	202264	2	K100, K101, K481, K482
		Handle, Ash Receiver (R.H.D.)	203640	1	F485, K481
		Screw, No. 6 - 32 x 1/4" Fl. Hd. Cr. Rec. (L.H.D.)	540	4	All
		Screw, No. 6 - 32 x 5/16" Rd. Hd. Cr. Rec. (R.H.D.)	584	1	F485, K481
		Lockwasher, No. 6 Ext. Tooth (R.H.D.)	518	1	F485, K481
		Retainer, Ash Receiver, Right (L.H.D.)	203105	1	All
		Retainer, Ash Receiver, Left (L.H.D.)	203106	1	All
		Retainer, Ash Receiver (R.H.D.)	203641	1	F485, K481
		Screw, No. 10 - 24 x 5/16" Ov. Hd. Cr. Rec. (L.H.D.)	578	3	All
		Palnut, No. 10 - 24 (L.H.D.)	202509	3	All
		Rivet, Tubular, 9/64" x 3/16" (L.H.D.)	203747	3	All
		Lockwasher, No. 10 Ext. Tooth (R.H.D.)	294	2	F485, K481
		Nut, No. 10 - 24 Hx. (R.H.D.)	378	2	F485, K481
30.408 - INSTRUMENT BOARD NAME PLATE AND CLOCK OPENING MEDALLION					
19-1-13		Plate, up to..... { Body No. F47-27620, } (L.H.D.)	200517	1	F47, F47C
		Plate, after..... { F47C-12174 } (L.H.D.)	202511	1	F47, F47C, F485, F486
		Plate, (Chrome) (R.H.D.)	203642	1	F485
		Plate, (Green) up to..... { Body No. K100-31294 } (L.H.D.)	201816	1	K100

*As required

INSTRUMENT BOARD (PANEL)

30.400

FIGURE NUMBER	GROUP	PART NAME and DESCRIPTION	PART NUMBER	QTY.	MODELS
30.408 - INSTRUMENT BOARD NAME PLATE AND CLOCK OPENING MEDALLION (CONT'D.)					
		Plate (Green) { Body No. } after.....{K100-31294}(L.H.D.).....	202512	1	K100
		Plate (Sandtone Beige).....(L.H.D.).....	202708	1	K100, K101, K481, K482
		Plate (Chrome).....(R.H.D.).....	203643	1	K481
		Lockwasher, No. 12 Int. Ext. Tooth (L.H.D.).....	588	2	All
		Nut, No. 12 - 24 Hx.(L.H.D.).....	502	2	All
		Speednut.....(R.H.D.).....	202592	3	F485, K481
		Plate, Name Plates and Inst. Cluster			
		Trim (Chrome) (L.H.D.).....	202095	2	F47, F47C, F485, F486
		Screw, No. 8 - 32 x 1/4" Rd. Hd. Sl. ...	310	2	F47, F47C, F485, F486
		Lockwasher, No. 8 Ext. Tooth.....	447	2	F47, F47C, F485, F486
		Medallion, Clock Opening.....(R.H.D.).....	203505	1	F485
		Medallion, Clock Opening.....(R.H.D.).....	203507	1	K481
		Lockwasher, No. 10 Ext. Tooth.....	294	2	F485, K481
		Nut.....	203504	2	F485, K481
		Bracket, Medallion Mounting..(R.H.D.).....	203508	1	F485, K481
30.410 - INSTRUMENT BOARD RADIO PANEL AND GRILLE					
19-1-12		Panel, Radio Control.....(L.H.D.)..	202274	1	All
		Panel, Radio Control.....(R.H.D.)..	203645	1	F485, K481
		Clip.....(R.H.D.)..	203646	2	F485, K481
		Screw, No. 6 - 18 x 1/4" Rd. Hd. Cr. Rec. Tap. (R.H.D.).....	656	2	F485, K481
		Washer (Rubber).....(L.H.D.)..	201567	2	F47, F47C, F485, F486
		Grommet (Rubber).....(L.H.D.)..	200449	2	K100, K101, K481, K482
		Speednut.....(L.H.D.)..	200639	2	All
		Retainer, Radio Control Panel... (L.H.D.)..	200334	2	F47, F47C
		Screw, No. 6 - 32 x 3/16" Rd. Hd. Cr. Rec.	580	2	F47, F47C
		Lockwasher, No. 6 Int. Tooth.....	585	2	F47, F47C
19-1-24		Grille, Inst. Board Radio.....(L.H.D.)..	200527	1	F47, F47C, F485, F486
		Grille, Inst. Board Radio.....(L.H.D.)..	202374	1	K100, K101, K481, K482
		Grille, Inst. Board Radio (incl. Screen) (R.H.D.).....	203647	1	F485, K481
		Screw, No. 8 - 32 x 5/16" Rd. Hd. Cr. Rec. (L.H.D.).....	581	4	F47, F47C, F485, F486
		Lockwasher, No. 8 Int. Ext. Tooth (L.H.D.).....	582	4	F47, F47C, F485, F486
		Screw, No. 10 - 24 x 5/16" Rd. Hd. Cr. Rec. (L.H.D.).....	583	4	K100, K101, K481, K482
		Lockwasher, No. 10 Ext. Tooth (L.H.D.)..	294	4	K100, K101, K481, K482
		Screw, No. 10 - 24 x 5/16" Rd. Hd. Cr. Rec. (R.H.D.).....	583	4	F485, K481
		Lockwasher, No. 10 Ext. Tooth (R.H.D.)..	294	4	F485, K481
		Screen, Radio Grille.....(L.H.D.)..	203303	1	F47, F47C, F485, F486
		Screen, Radio Grille.....(L.H.D.)..	202915	1	K100, K101, K481, K482
		Screen, Radio Grille.....(R.H.D.)..	203648	1	F485, K481
		Screw, Drive, Screen to Grille No. 4 x 1/4" Rd. Hd. (R.H.D.).....	203649	5	F485, K481
		Knob, Radio Selector.....(L.H.D.)..	200532	1	F47, F47C, F485, F486
		Spring, Selector Knob.....(L.H.D.)..	202515	1	F47, F47C, F485, F486

FIGURE NUMBER	GROUP	PART NAME and DESCRIPTION	PART NUMBER	QTY.	MODELS		
30.410 - INSTRUMENT BOARD RADIO PANEL AND GRILLE (CONT'D.)							
		Screw, Knob Spring, No. 6 - 32 x 3/16" Fil. Hd. Sl. (L.H.D.).....	202516	2	F47, F47C, F485, F486		
		Plug, Radio Selector Knob Hole (L.H.D.)...	202517	1	K100, K101, K481, K482		
30.412 - INSTRUMENT BOARD MOULDING							
19-1-14		Moulding, Inst. Board Trim, Upper (L.H.D.)	202606	1	F47C, F486		
19-1-19		Moulding, Inst. Board Trim End, Right (L.H.D.).....	200524	1	F47, F47C, F485, F486		
19-1-39		Moulding, Inst. Board Trim End, Left (L.H.D.).....	200525	1	F47, F47C, F485, F486		
19-1-26		Moulding, Inst. Board Trim Center, Right (L.H.D.).....	200522	1	F47, F47C, F485, F486		
19-1-31		Moulding, Inst. Board Trim Center, Left (L.H.D.).....	200523	1	F47, F47C, F485, F486		
		Screw, No. 6 - 32 x 5/16" Rd. Hd. Cr. Rec.	584	8	F47, F47C, F485, F486		
		Lockwasher, No. 6 Int. Tooth.....	585	8	F47, F47C, F485, F486		
19-1-20		Knob, Ash Receiver, Right.....(L.H.D.)..	200702	1	F47, F47C, F485, F486		
19-1-36		Knob, Ash Receiver, Left.....(L.H.D.)..	200703	1	F47, F47C, F485, F486		
		Screw, No. 6 - 32 x 1/4" Fl. Hd. Cr. Rec.	540	2	F47, F47C, F485, F486		
19-1-28		Knob, Radio Selector.....(L.H.D.)..	200532	1	F47, F47C, F485, F486		
		Spring, Selector Knob.....(L.H.D.)..	202515	1	F47, F47C, F485, F486		
		Screw, Knob Spring, No. 6 - 32 x 3/16" Fl. Hd. Sl.	202516	2	F47, F47C, F485, F486		
19-1-15		Moulding, Glove Box and Dummy Doors (L.H.D.).....	202609	2	F47C, F486		
		Clip, Mld'g.	202610	8	F47C, F486		
		Moulding, Inst. Board End, Right (R.H.D.)..	203650	1	F485, K481		
		Moulding, Inst. Board End, Left..(R.H.D.)..	203651	1	F485, K481		
		Moulding, Inst. Board Center.....(R.H.D.)..	203652	1	F485, K481		
		Lockwasher, No. 10 Ext. Tooth.....	294	8	F485, K481		
		Nut, No. 10 - 24 Hx.	378	8	F485, K481		
		Bezel, Inst. Mounting Right.....(R.H.D.)..	203653	1	F485, K481		
		Bezel, Clock Opening Medallion, Left (R.H.D.).....	203654	1	F485, K481		
		Stud, Upper.....	203516	2	F485, K481		
		Stud, Lower.....	203517	2	F485, K481		
		Lockwasher, No. 10 Med.	254	4	F485, K481		
		Nut.....	203504	4	F485, K481		
		Screw, No. 10 - 24 x 7/16" Fil. Hd. Cr. Rec.	643	4	F485, K481		
		Lockwasher, No. 10 Med.	254	4	F485, K481		
		Moulding, Steering Column Trim (R.H.D.)...	203655	1	F485, K481		
		Screw, No. 4 - 24 x 3/8" Rd. Hd. Cr. Rec. Tap.	657	3	F485, K481		
30.414 - INSTRUMENT BOARD CONTROL PANEL							
		Panel (Prime) up to.....	Body No. F47-36877, K100-65372, K101-5405	(L.H.D.)..	200516	1	F47, K100, K101
		Panel (Prime) after.....					

INSTRUMENT BOARD (PANEL)

30.400

FIGURE NUMBER	GROUP	PART NAME and DESCRIPTION	PART NUMBER	QTY.	MODELS
30.414 - INSTRUMENT BOARD CONTROL PANEL (CONT'D.)					
19-1-33		Panel (Chrome) up to Body No. F47C-32650 (L.H.D.).....	202612	1	F47C
		Panel (Chrome) from Body No. F47C-32650 to F486-8769 (L.H.D.).....	203183	1	F47C, F486
		Panel (Chrome) after Body No. F486-8769 (L.H.D.).....	203279	1	F486
		Panel (Chrome) (R.H.D.).....	203656	1	F485, K481
		Bolt, 1/4" - 20 x 9/16" Hx. Hd. (L.H.D.)	394	3	All
		Flatwasher, 1/4" Sm. (L.H.D.).....	243	3	All
		Lockwasher, 1/4" Med. (L.H.D.).....	190	3	All
		Nut, 1/4" - 20 Hx. Lt. (L.H.D.).....	203	3	All
		Screw, No. 10 - 24 x 5/16" Rd. Hd. Cr. Rec. (R.H.D.).....	583	2	F485, K481
		Spacer (R.H.D.).....	201560	2	F485, K481
		Lockwasher, No. 10 Ext. Tooth (R.H.D.)..	294	2	F485, K481

SEAT FRAME and CONTROLS

30.550

FIGURE NUMBER	GROUP	PART NAME and DESCRIPTION	PART NUMBER	QTY.	MODELS
30.552 - FRONT SEAT FRAME					
		Frame (incl. Tacking Strips) up to Body No. 485-13281, K481-37499, K482-1730....	203127	1	All except F47C, F486
		Frame (incl. Tacking Strips) after Body No. F485-13281, K481-37499, K482-1730...	203823	1	F485, K481, K482
		Frame (incl. Tacking Strips).....	202613	1	F47C, F486
30.554 - FRONT SEAT TRACK ADJUSTER GUIDES					
		Guide Assembly Complete, up to Body No. F47-8773, K100-16041 (L.H.D.).....	202292	1	F47, K100
30-9-2		Guide, Right, after Body No. F47-8773, K100-16041 (L.H.D.).....	202550	1	All
30-9-4		Guide, Left, after Body No. F47-8773, K100-16041 (L.H.D.).....	202551	1	All
		Guide, Right (R.H.D.).....	203658	1	F485, K481
		Guide, Left (R.H.D.).....	203659	1	F485, K481
30-9-5		Bolt, 5/16" - 24 x 3/4" Hx. Hd.	224	8	All
		Flatwasher, 5/16" Sm.	225	8	All
		Lockwasher, 5/16" Med.	240	8	All
		Bolt, 1/4" - 20 x 7/16" Hx. Hd.	592	4	All
		Flatwasher, 1/4" Sm.	243	4	All
		Lockwasher, 1/4" Ext. Tooth.....	370	4	All
30-9-3		Cable, Track Adjuster (L.H.D.) (152" Long) Cable, Track Adjuster (L.H.D.) (134 3/8" Long).....	200603	1	F47, K100
30-9-7		Clamp, Adjuster Cable (L.H.D.).....	202553	2	All
30-9-8		Bolt, Clamp to Adjuster, 1/4" - 20 x 5/8" Hx. Hd. (L.H.D.).....	257	2	All
30-9-1		Spring, Track Tension (L.H.D.).....	202574	2	All
30-9-10		Knob, Operating Handle (L.H.D.) (R.H.D.)..	202305	1	All
30-9-6		Latch, Seat Track Adjuster (L.H.D.) (R.H.D.).....	202106	1	All
30-9-9		Spring, Seat Track Adjuster Latch (L.H.D.) (R.H.D.).....	202105	1	All

FIGURE NUMBER	GROUP	PART NAME and DESCRIPTION	PART NUMBER	QTY.	MODELS	
TRIM CODE MUST BE SPECIFIED ON ALL ORDERS.						
30.602 - COWL TRIM PANEL						
30-10-26		Panel, Right.....	202258	1	F47, F485	
		Panel, Left.....	202259	1	F47, F485	
		Panel, Right.....	202260	1	K100, K101, K481, K482	
		Panel, Left.....	202261	1	K100, K101, K481, K482	
		Panel, Right.....	202614	1	F47C, F486	
		Panel, Left.....	202615	1	F47C, F486	
		Panel (incl. Mld'g.) Right (Leather).....	203390	1	F486	
		Panel (incl. Mld'g.) Left (Leather).....	203391	1	F486	
		Panel (incl. Mld'g.) Right (Leather).....	203392	1	K482	
		Panel (incl. Mld'g.) Left (Leather).....	203393	1	K482	
		Panel (incl. Mld'g.) Right (Spec. Trim)...	203707	1	F486	
		Panel (incl. Mld'g.) Left (Spec. Trim)....	203708	1	F486	
		Screw, No. 8 - 15 x 3/4" Ov. Hd. Cr.				
		Rec. Tap.....	526	10	A11	
		Washer, Finish, No. 8.....	202262	10	A11	
		Moulding and Retainer, Upper (Spec. Trim) (Leather).....	203394	2	F486, K482	
		Moulding and Retainer, Lower (Spec. Trim) (Leather).....	203395	2	F486, K482	
		Binding, Wire on (Inst. Board to Floor)... (Leather).....	203396	2	F486, K482	
	30.604 - FRONT DOOR TRIM PANEL					
	30-10-17		Panel (incl. Mld'g. less Fasteners) Right..	202416	1	F47, F485
		Panel (incl. Mld'g. less Fasteners) Left..	202417	1	F47, F485	
		Panel (incl. Mld'g. less Fasteners) Right (Green, Blue or Rose Heather Kick Pads)..	203312	1	F485	
		Panel (incl. Mld'g. less Fasteners) Left (Green, Blue or Rose Heather Kick Pads)..	203313	1	F485	
		Panel (incl. Mld'g. less Fasteners) Right..	201895	1	K100, K481	
		Panel (incl. Mld'g. less Fasteners) Left...	201896	1	K100, K481	
		Panel (incl. Mld'g. less Fasteners) Right. (Green, Blue or Rose Heather Kick Pads)..	203561	1	K481	
		Panel (incl. Mld'g. less Fasteners) Left (Green, Blue or Rose Heather Kick Pads)..	203562	1	K481	
		Panel (incl. Mld'g. less Fasteners) Right..	202616	1	F47C, F486	
		Panel (incl. Mld'g. less Fasteners) Left..	202617	1	F47C, F486	
		Panel (incl. Mld'g. less Fasteners) Right..	203067	1	K101, K482	
		Panel (incl. Mld'g. less Fasteners) Left..	203068	1	K101, K482	
		Panel (incl. Mld'g., Fasteners and Escutcheon) Right (Leather).....	203397	1	F486	
		Panel (incl. Mld'g., Fasteners and Escutcheon) Left (Leather).....	203398	1	F486	
		Panel (incl. Mld'g., Fasteners and Escutcheon) Right (Leather).....	203399	1	K482	
		Panel (incl. Mld'g., Fasteners and Escutcheon) Left (Leather).....	203400	1	K482	
		Panel (incl. Mld'g., Fasteners and Escutcheon) Right (Spec. Trim).....	203709	1	F486	
		Panel (incl. Mld'g., Fasteners and Escutcheon) Left (Spec. Trim).....	203710	1	F486	
		Panel (incl. Mld'g., Fasteners and Escutcheon) Right (Vinolyte).....	203663	1	F485	

INTERIOR TRIM

30.600

FIGURE NUMBER	GROUP	PART NAME and DESCRIPTION	PART NUMBER	QTY.	MODELS
30.604 - FRONT DOOR TRIM PANEL (CONT'D.)					
		Panel (incl. Mld'g., Fasteners and Escutcheon) Left (Vinolyte).....	203664	1	F485
		Panel (incl. Mld'g., Fasteners and Escutcheon) Right (Vinolyte).....	203665	1	K481
		Panel (incl. Mld'g., Fasteners and Escutcheon) Left (Vinolyte).....	203666	1	K481
		Fastener.....	202301	48	All
		Screw, No. 6 - 18 x 3/4" Ov. Hd. Cr. Rec. Tap.....	524	2	All
30-10-18		Moulding, Trim Panel.....	202419	2	F47, K100, F485, K481
		Moulding and Retainer, Trim Panel, Upper..	202618	2	F47C, K101, F486, K482
30-10-25		Moulding and Retainer, Trim Panel, Lower..	202619	2	F47C, K101, F486, K482
		Moulding and Retainer, Trim Panel, Upper (Spec. Trim) (Leather).....	203402	2	F486, K482
30-10-25		Moulding and Retainer, Trim Panel, Lower (Spec. Trim) (Leather).....	202619	2	F486, K482
		Moulding, Trim Panel, Upper (Vinolyte)....	203667	2	F485
		Moulding, Trim Panel (Vinolyte).....	203668	4	F485
		Moulding, Trim Panel, Upper (Vinolyte)....	203669	2	K481
		Moulding, Trim Panel, Lower (Vinolyte)....	203668	2	K481
30-10-19		Weathercord, Door Opening.....	202418	2	F47, F485
		Weathercord, Door Opening.....	202472	2	K100, K481
		Weathercord, Door Opening.....	202620	2	F47C, F486
		Weathercord, Door Opening.....	203097	2	K101, K482
		Weathercord, Door Opening (Leather).....	203403	2	F486, K482
		Weathercord, Door Opening (Vinolyte).....	203670	2	F485, K481
30.606 - CENTER PILLAR TRIM PANEL					
		Panel, Right.....	202420	1	F47, F485
30-10-15		Panel, Left.....	202421	1	F47, F485
		Panel, Right.....	202422	1	K100, K481
		Panel, Left.....	202423	1	K100, K481
		Panel, Right.....	202621	1	F47C, F486
		Panel, Left.....	202622	1	F47C, F486
		Panel.....	203102	2	K101, K482
		Panel (Leather).....	203404	2	F486, K482
		Panel (Vinolyte).....	203671	2	F485, K481
30.608 - REAR DOOR TRIM PANEL					
		Panel (incl. Mld'g. less Fasteners) Right..	202424	1	F47, F485
30-10-10		Panel (incl. Mld'g. less Fasteners) Left..	202425	1	F47, F485
		Panel (incl. Mld'g. less Fasteners) Right (Green, Blue or Rose Heather Kick Pads)..	203314	1	F485
		Panel (incl. Mld'g. less Fasteners) Left (Green, Blue or Rose Heather Kick Pads)..	203315	1	F485
		Panel (incl. Mld'g. less Fasteners) Right..	202426	1	K100, K481
		Panel (incl. Mld'g. less Fasteners) Left..	202427	1	K100, K481
		Panel (incl. Mld'g. less Fasteners) Right (Green, Blue or Rose Heather Kick Pads)..	203563	1	K481
		Panel (incl. Mld'g. less Fasteners) Left (Green, Blue or Rose Heather Kick Pads)..	203564	1	K481
		Panel (incl. Mld'g. less Fasteners) Right..	202623	1	F47C, F486
		Panel (incl. Mld'g. Less Fasteners) Left..	202624	1	F47C, F486

FIGURE NUMBER	GROUP	PART NAME and DESCRIPTION	PART NUMBER	QTY.	MODELS
30.608 - REAR DOOR TRIM PANEL (CONT'D.)					
		Panel (incl. Mld'g. Less Fasteners) Right.	203069	1	K101, K482
		Panel (incl. Mld'g. Less Fasteners) Left..	203070	1	K101, K482
		Panel (incl. Mld'g., Fasteners and Escutcheon) Right (Leather).....	203405	1	F486
		Panel (incl. Mld'g., Fasteners and Escutcheon) Left (Leather).....	203406	1	F486
		Panel (incl. Mld'g., Fasteners and Escutcheon) Right (Leather).....	203407	1	K482
		Panel (incl. Mld'g., Fasteners and Escutcheon) Left (Leather).....	203408	1	K482
		Panel (incl. Mld'g., Fasteners and Escutcheon) Right (Spec. Trim).....	203711	1	F486
		Panel (incl. Mld'g., Fasteners and Escutcheon) Left (Spec. Trim).....	203712	1	F486
		Panel (incl. Mld'g., Fasteners and Escutcheon) Right (Vinolyte).....	203672	1	F485
		Panel (incl. Mld'g., Fasteners and Escutcheon) Left (Vinolyte).....	203673	1	F485
		Panel (incl. Mld'g., Fasteners and Escutcheon) Right (Vinolyte).....	203674	1	K481
		Panel (incl. Mld'g., Fasteners and Escutcheon) Left (Vinolyte).....	203675	1	K481
		Fastener.....	202301	44	All
		Screw, No. 6 - 18 x 3/4" Ov. Hd. Cr. Rec. Tap.....	524	2	All
30-10-12		Moulding, Trim Panel.....	202429	2	F47, K100, F485, K481
		Moulding and Retainer, Trim Panel (Also Leather Trim).....	202625	4	F47C, K101, F486, K482
		Moulding (Vinolyte).....	203676	4	F485, K481
30-10-9		Weathercord, Door Opening.....	202428	2	F47, F485
		Weathercord, Door Opening.....	202473	2	K100, K481
		Weathercord, Door Opening.....	202626	2	F47C, F486
		Weathercord, Door Opening.....	203098	2	K101, K482
		Weathercord, Door Opening (Leather).....	203409	2	F486, K482
		Weathercord, Door Opening (Vinolyte).....	203677	2	F485, K481
30.610 - REAR QUARTER TRIM PANEL					
30-10-6		Panel, Right.....	202430	1	F47, F485
		Panel, Left.....	202431	1	F47, F485
		Panel, Right.....	202432	1	K100, K481
		Panel, Left.....	202433	1	K100, K481
		Panel, Right.....	202627	1	F47C, F486
		Panel, Left.....	202628	1	F47C, F486
		Panel, Right.....	203094	1	K101, K482
		Panel, Left.....	203095	1	K101, K482
		Panel, Right (Leather).....	203410	1	F486, K482
		Panel, Left (Leather).....	203411	1	F486, K482
		Panel, Right (Vinolyte).....	203678	1	F485, K481
		Panel, Left (Vinolyte).....	203679	1	F485, K481
30.611 - REAR COMPARTMENT TRIM PANELS AND WINDBREAK					
		Panel, Side Trim, Right.....	202678	1	F47C, F486

INTERIOR TRIM

30.600

FIGURE NUMBER	GROUP	PART NAME and DESCRIPTION	PART NUMBER	QTY.	MODELS
30.611 - REAR COMPARTMENT TRIM PANELS AND WINDBREAK (CONT'D.)					
		Panel, Side Trim, Left.....	202679	1	F47C, F486
		Panel, Tool Comp't. Trim.....	202680	1	F47C, F486
		Retainer, Tool Comp't. Trim Panel.....	203256	1	F47C, F486
		Panel, Side Trim, Right (Leather).....	203412	1	F486, K482
		Panel, Side Trim, Left (Leather).....	203413	1	F486, K482
		Panel, Tool Comp't. Trim (Leather).....	203414	1	F486, K482
		Screw, No. 10 - 12 x 1/2" Ov. Hd. Cr.			
		Rec. Tap (Chrome).....	441	7	F47C, F486
		Washer, Finish, No. 8.....	202262	7	F47C, F486
		Screw, No. 6 - 18 x 3/8" Rd. Hd. Cr.			
		Rec. Tap (Chrome).....	625	3	F47C, F486
		Windbreak.....	203257	1	All
		Windbreak (Leather).....	203415	1	F486, K482
		Fastener.....	202452	5	All
30.612 - HEADLINING, BOWS AND WINDSHIELD PILLAR COVER					
30-10-7		Headlining (less Bows).....	202364	1	F47, F485
		Headlining (less Bows).....	202326	1	K100, K481
		Headlining (less Bows).....	202673	1	F47C, F486
		Headlining (less Bows).....	203096	1	K101, K482
		Headlining (less Bows) (Leather).....	203416	1	F486, K482
		Headlining (less Bows) (Vinolyte).....	203680	1	F485, K481
		Bow, No. 1.....	202434	1	All
		Bow, No. 2.....	202435	1	All
		Bow, No. 3.....	202436	1	All
		Bow, No. 4.....	202437	1	All
		Bow, No. 5.....	202438	1	All
		Bow, No. 6.....	202439	1	All
		Bow, No. 7.....	202440	1	All
		Bow, No. 8.....	202441	1	All
		Screw, No. 8 - 15 x 1/2" Rd. Hd. Cr.			
		Rec. Tap.....	567	16	All
		Flatwasher, No. 8 Sm.	315	16	All
30-10-16		Binding, Wire On.....	202457	2	F47, F485
		Binding, Wire On.....	202458	2	K100, K481
		Binding, Wire On.....	202629	2	F47C, F486
		Binding, Wire On.....	203099	2	K101, K481
		Binding, Wire On (Leather).....	203417	2	F486, K482
		Binding, Wire On (Vinolyte).....	203729	2	F486, K481
		Strip, Headlining Tacking.....	202914	4	All
		Cover, W/S Pillar, Right.....	203140	1	F47, F485
30-10-22		Cover, W/S Pillar, Left.....	203245	1	F47, F485
		Cover, W/S Pillar, Right.....	203141	1	K100, K481
		Cover, W/S Pillar, Left.....	203246	1	K100, K481
		Cover, W/S Pillar, Right.....	203142	1	F47C, F486
		Cover, W/S Pillar, Left.....	203247	1	F47C, F486
		Cover, W/S Pillar, Right.....	203143	1	K101, K482
		Cover, W/S Pillar, Left.....	203248	1	K101, K482
		Cover, W/S Pillar, Right (Leather).....	203418	1	F486, K482
		Cover, W/S Pillar, Left (Leather).....	203419	1	F486, K482
		Cover, W/S Pillar, Right (Vinolyte).....	203681	1	F485, K481
		Cover, W/S Pillar, Left (Vinolyte).....	203682	1	F485, K481

FIGURE NUMBER	GROUP	PART NAME and DESCRIPTION	PART NUMBER	QTY.	MODELS
30.614 - DOOR ARM RESTS					
30-10-8		Arm Rest.....	202210	4	F47, F485
		Arm Rest.....	202191	4	K100, K481
		Arm Rest.....	203323	4	K101, K482
		Arm Rest (Vinolyte).....	203683	4	F485, K481
		Bolt, Arm Rest Attaching, 1/4" - 20 x 2" Rd. Hd. Sl.	564	8	All except F47C, F486
		Plate, Arm Rest Retainer.....	202580	4	All except F47C, F486
		Screw, No. 8 - 15 x 3/8" Rd. Hd. Cr. Rec. Tap.....	576	8	All except F47C, F486
		Arm Rest (incl. Mld'g.) Right.....	202630	2	F47C, F486
		Arm Rest (incl. Mld'g.) Left.....	202631	2	F47C, F486
		Arm Rest (incl. Mld'g.) Right (Leather)...	203420	2	F486, K482
		Arm Rest (incl. Mld'g.) Left (Leather)....	203421	2	F486, K482
		Retainer, Arm Rest Screw Attaching.....	202731	8	F47C, F486, K482
		Bolt, 1/4" - 20 x 2 1/8" Rd. Hd. Sl. ...	202726	8	F47C, F486, K482
		Moulding, Arm Rest, Right.....	202632	2	F47C, F488, K482
		Moulding, Arm Rest, Left.....	202633	2	F47C, F486, K482
		Clip.....	202634	8	F47C, F486, K482
		Screw, No. 6 - 18 x 3/4" Ov. Hd. Cr. Rec. Tap (Chrome).....	524	8	F47C, F486, K482
30.616 - FRONT SEAT CUSHION AND SEAT BACK					
30-10-28		Cushion Complete, Seat.....	202206	1	F47, F485
		Cushion Complete, Seat.....	202208	1	K100, K481
		Cushion Complete, Seat.....	202635	1	F47C, F486
		Cushion Complete, Seat (Used with Center Arm Rest).....	203171	1	F486
		Cushion Complete, Seat.....	203081	1	K101, K482
		Cushion Complete, Seat (Leather).....	203422	1	F486, K482
		Cushion Complete, Seat (Spec. Trim).....	203713	1	F486
		Cushion Complete, Seat (Vinolyte).....	203684	1	F485
		Cushion Complete, Seat (Vinolyte).....	203685	1	K481
		Cover, Seat Cushion.....	202236	1	F47, F485
		Cover, Seat Cushion.....	202240	1	K100, K481
		Cover, Seat Cushion.....	202636	1	F47C, F486
		Cover, Seat Cushion (Used with Center Arm Rest).....	203149	1	F486
		Cover, Seat Cushion.....	203093	1	K101, K482
		Cover, Seat Cushion (Leather).....	203423	1	F486, K482
		Cover, Seat Cushion (Spec. Trim).....	203714	1	F486
		Cover, Seat Cushion (Vinolyte).....	203686	1	F485
		Cover, Seat Cushion (Vinolyte).....	203687	1	K481
		Pad, Seat Cushion (Air Foam).....	202638	1	F47, F47C, F485, F486
		Pad, Seat Cushion.....	203116	1	K100, K481
		Pad, Seat Cushion (Rubber).....	203103	1	K101, K482
		Pad, Seat Cushion (Rubber) (Leather).....	203103	1	F486, K482
0-10-14		Cushion Complete, Seat Back.....	202278	1	F47, F485
		Cushion Complete, Seat Back.....	202280	1	K100, K481
		Cushion Complete, Seat Back.....	202639	1	F47C, F486
		Cushion Complete, Seat Back (used with Center Arm Rest).....	203150	1	F486
		Cushion Complete, Seat Back.....	203082	1	K101, K482
		Cushion Complete, Seat Back (Leather).....	203424	1	F486
		Cushion Complete, Seat Back (Leather).....	203425	1	K482

INTERIOR TRIM

30.600

FIGURE NUMBER	GROUP	PART NAME and DESCRIPTION	PART NUMBER	QTY.	MODELS			
30.616 - FRONT SEAT CUSHION AND SEAT BACK (CONT'D.)								
		Cushion Complete, Seat Back (Spec. Trim)..	203715	1	F486			
		Cushion Complete, Seat Back (Vinolyte)....	203688	1	F485			
		Cushion Complete, Seat Back (Vinolyte)....	203689	1	K481			
		Cover, Seat Back Cushion.....	202237	1	F47, F485			
		Cover, Seat Back Cushion.....	202241	1	K100, K481			
		Cover, Seat Back Cushion.....	202640	1	F47C, F486			
		Cover, Seat Back Cushion (used with Center Arm Rest).....	203151	1	F486			
		Cover, Seat Back Cushion.....	203083	1	K101, K482			
		Cover, Seat Back Cushion (Leather).....	203426	1	F486			
		Cover, Seat Back Cushion (Leather).....	203427	1	K482			
		Cover, Seat Back Cushion (Spec. Trim).....	203728	1	F486			
		Cover, Seat Back Cushion (Vinolyte).....	203690	1	F485			
		Cover, Seat Back Cushion (Vinolyte).....	203691	1	K481			
		Arm Rest, Center.....	203152	1	F486			
		Arm Rest, Center.....	203084	1	K482			
		Arm Rest, Center (Leather).....	203453	1	F486			
		Arm Rest, Center (Leather).....	203454	1	K482			
		Arm Rest, Center (Spec. Trim).....	203716	1	F486			
		Cover, Center Arm Rest (incl. Strap).....	203153	1	F486			
		Cover, Center Arm Rest (incl. Strap).....	203085	1	K482			
		Cover, Center Arm Rest (incl. Strap) (Leather).....	203455	1	F486			
		Cover, Center Arm Rest (incl. Strap) (Leather).....	203456	1	K482			
		Cover, Center Arm Rest (incl. Strap) (Spec. Trim).....	203717	1	F486			
		Pad, Arm Rest (Rubber).....	203086	1	F486, K482			
		Valance, Center Arm Rest.....	203154	1	F486			
		Valance, Center Arm Rest.....	203155	?	K101, K482			
		Valance, Center Arm Rest (Leather).....	203457	1	F486, K482			
		Valance, Center Arm Rest (Spec. Trim).....	203718	1	F486			
		Linkage, Arm Rest, Right.....	203156	1	K101, K482, F486			
		Linkage, Arm Rest, Left.....	203157	1	K101, K482, F486			
		Screw, No. 14 - 10 x 1/2" Rd. Hd. Cr.						
		Rec. Tap.....	}	to Seat Frame				
		Lockwasher, 1/4" Ext.				619	4	K101, K482, F486
		Tooth.....				370	4	K101, K482, F486
		Nut, 1/4" - 20 Hx. Lt.				203	4	K101, K482, F486
		Bolt, 1/4" - 20 x 1 1/4" Rd. Hd. Cr. Rec.	}	to Arm Rest				
		Lockwasher, 1/4" Med.				620	4	K101, K482, F486
		Flatwasher, 1/4" Sm.				190	4	K101, K482, F486
		Spring, Valance to Seat Frame.....	243	4	K101, K482, F486			
30-10-29		Cover, Seat Frame (Front and Sides).....	203158	2	K101, K482, F486			
		Cover, Seat Frame (Front and Sides).....	202443	1	F47, F485			
		Cover, Seat Frame (Front and Sides).....	202444	1	K100, K481			
		Cover, Seat Frame (Front, Sides and Back).....	202641	1	F47C, F486			
		Cover, Seat Frame (Front and Sides).....	203175	1	K101, K482			
		Cover, Seat Frame (Front, Sides and Back) (Leather).....	203459	1	F486			
		Cover, Seat Frame (Front and Sides) (Leather).....	203460	1	K482			
		Cover, Seat Frame (Front and Sides) (Vinolyte).....	203692	1	F485, K481			

FIGURE NUMBER	GROUP	PART NAME and DESCRIPTION	PART NUMBER	QTY.	MODELS
30.616 - FRONT SEAT CUSHION AND SEAT BACK (CONT'D.)					
		Carpet, Front Seat Foot Rest, Right.....	203176	1	All except F47C, F486
30-10-2		Carpet, Front Seat Foot Rest, Left.....	203177	1	All except F47C, F486
30-10-3		Carpet, Front Seat Foot Rest, Center (Narrow).....	203178	1	All except F47C, F486
		Carpet, Front Seat Foot Rest, Center (Wide).....	203726	1	F485, K481, K482
		Carpet, Front Seat Foot Rest, Right (Green, Blue or Rose Heather).....	203316	1	F485, K481
		Carpet, Front Seat Foot Rest, Left (Green, Blue or Rose Heather).....	203317	1	F485, K481
		Carpet, Front Seat Foot Rest, Center (Green, Blue or Rose Heather).....	203318	1	F485, K481
		Carpet, Front Seat Foot Rest, Right (Also Leather Trim).....	203179	1	F47C, F486, K482
		Carpet, Front Seat Foot Rest, Left (Also Leather Trim).....	203181	1	F47C, F486, K482
		Carpet, Front Seat Foot Rest, Center (Narrow) (Also Leather Trim).....	203180	1	F47C, F486, K482
		Carpet, Front Seat Foot Rest, Center (Wide) (Also Leather Trim).....	203727	1	F486, K482
30-10-32		Cord, Seat Frame Cover Seaming.....	202445	1	F47, F485
		Cord, Seat Frame Cover Seaming.....	202446	1	K100, K481
		Cord, Seat Frame Cover Seaming.....	203159	1	F47C, F486
		Cord, Seat Frame Cover Seaming.....	203160	1	K101, K482
		Cord, Seat Frame Cover Seaming (Leather)..	203428	1	F486, K482
		Cord, Seat Frame Cover Seaming (Vinolyte).	203693	1	F485, K481
30-10-33		Panel, Seat Frame Back Trim.....	202447	1	F47, F485
		Panel, Seat Frame Back Trim.....	202448	1	K100, K481
		Panel, Seat Frame Back Trim.....	203111	1	K101, K482
		Panel, Seat Frame Back Trim (Single Ash Receiver) (Leather).....	203429	1	K482
		Panel, Seat Frame Back Trim (Double Ash Receiver) (Leather).....	203736	1	K482
		Panel, Seat Frame Back Trim (Vinolyte)....	203694	1	F485, K481
		Fastener.....	202301	25	All except F47C, F486
30.620 - REAR SEAT CUSHION AND SEAT BACK					
30-10-31		Cushion Complete, Seat.....	202207	1	F47, F485
		Cushion Complete, Seat.....	202209	1	K100, K481
		Cushion Complete, Seat.....	202642	1	F47C, F486
		Cushion Complete, Seat (used with Center Arm Rest).....	203172	1	F486
		Cushion Complete, Seat.....	203087	1	K101, K482
		Cushion Complete, Seat (Leather).....	203430	1	F486, K482
		Cushion Complete, Seat (Spec. Trim).....	203719	1	F486
		Cushion Complete, Seat (Vinolyte).....	203695	1	F485
		Cushion Complete, Seat (Vinolyte).....	203696	1	K481
		Cover, Seat Cushion.....	202238	1	F47, F485
		Cover, Seat Cushion.....	202242	1	K100, K481
		Cover, Seat Cushion.....	202643	1	F47C, F486
		Cover, Seat Cushion (used with Center Arm Rest).....	203163	1	F486
		Cover, Seat Cushion.....	203092	1	K101, K482

INTERIOR TRIM

30.600

FIGURE NUMBER	GROUP	PART NAME and DESCRIPTION	PART NUMBER	QTY.	MODELS
30.620 - REAR SEAT CUSHION AND SEAT BACK (CONT'D.)					
		Cover, Seat Cushion (Leather).....	203431	1	F486, K482
		Cover, Seat Cushion (Spec. Trim).....	203720	1	F486
		Cover, Seat Cushion (Vinolyte).....	203697	1	F485
		Cover, Seat Cushion (Vinolyte).....	203698	1	K481
		Pad, Seat Cushion (Air Foam).....	202644	1	F47, F47C, F485, F486
		Pad, Seat Cushion.....	203116	1	K100, K481
		Pad, Seat Cushion (Rubber).....	203104	1	K101, K482
		Pad, Seat Cushion (Rubber) (Leather).....	203101	1	F486, K482
30-10-5		Cushion Complete, Seat Back.....	202279	1	F47, F485
		Cushion Complete, Seat Back.....	202281	1	K100, K481
		Cushion Complete, Seat Back.....	202645	1	F47C, F486
		Cushion Complete, Seat Back (used with Center Arm Rest).....	203166	1	F486
		Cushion Complete, Seat Back.....	203088	1	K101, K482
		Cushion Complete, Seat Back (Leather).....	203432	1	F486
		Cushion Complete, Seat Back (Leather).....	203433	1	K482
		Cushion Complete, Seat Back (Spec. Trim)..	203721	1	F486
		Cushion Complete, Seat Back (Vinolyte)....	203699	1	F485
		Cushion Complete, Seat Back (Vinolyte)....	203700	1	K481
		Cover, Seat Back Cushion.....	202239	1	F47, F485
		Cover, Seat Back Cushion.....	202243	1	K100, K481
		Cover, Seat Back Cushion.....	202646	1	F47C, F486
		Cover, Seat Back Cushion (used with Center Arm Rest).....	203167	1	F486
		Cover, Seat Back Cushion.....	203089	1	K101, K482
		Cover, Seat Back Cushion (Leather).....	203434	1	F486
		Cover, Seat Back Cushion (Leather).....	203435	1	K482
		Cover, Seat Back Cushion (Spec. Trim).....	203722	1	F486
		Cover, Seat Back Cushion (Vinolyte).....	203701	1	F485
		Cover, Seat Back Cushion (Vinolyte).....	203702	1	K481
		Arm Rest, Center.....	203152	1	F486
		Arm Rest, Center.....	203084	1	K482
		Arm Rest, Center (Leather).....	203453	1	F486
		Arm Rest, Center (Leather).....	203454	1	K482
		Arm Rest, Center (Spec. Trim).....	203716	1	F486
		Cover, Center Arm Rest (incl. Strap).....	203153	1	F486
		Cover, Center Arm Rest (incl. Strap).....	203085	1	K482
		Cover, Center Arm Rest (incl. Strap) (Leather).....	203455	1	F486
		Cover, Center Arm Rest (incl. Strap) (Leather).....	203456	1	K482
		Cover, Center Arm Rest (incl. Strap) (Spec. Trim).....	203717	1	F486
		Pad, Center Arm Rest (Rubber).....	203086	1	F486, K482
		Valance, Center Arm Rest.....	203154	1	F486
		Valance, Center Arm Rest.....	203155	1	K101, K482
		Valance, Center Arm Rest (Leather).....	203457	1	F486, K482
		Valance, Center Arm Rest (Spec. Trim).....	203718	1	F486
		Linkage, Arm Rest, Right.....	203168	1	K101, K482, F486
		Linkage, Arm Rest, Left.....	203169	1	K101, K482, F486

FIGURE NUMBER	GROUP	PART NAME and DESCRIPTION	PART NUMBER	QTY.	MODELS
30.620 - REAR SEAT CUSHION AND SEAT BACK (CONT'D.)					
		Bolt, 1/4" - 20 x 3/4"			
		Rd. Hd. Cr. Rec.	} to Support	621	4 K101, K482, F486
		Flatwasher, 1/4" Sm.		243	4 K101, K482, F486
		Lockwasher, 1/4" Med. ...		190	4 K101, K482, F486
		Bolt, 1/4" - 20 x 1 1/4"			
		Rd. Hd. Cr. Rec.	} to Arm	620	4 K101, K482, F486
		Flatwasher, 1/4" Sm.		243	4 K101, K482, F486
		Lockwasher, 1/4" Med.		190	4 K101, K482, F486
		Spring, Valance to Seat Back Support.....	203170	2	K101, K482, F486
30.624 - LUGGAGE SHELF TRIM PANEL					
		Panel.....	202675	1	F47, F47C, F485, F486
		Panel.....	202451	1	K100, K101, K481, K482
		Panel (Leather).....	203436	1	F486, K482
		Fastener.....	202452	4	All
		Fastener (Leather).....	203437	4	F486, K482
30.626 - SUN VISOR					
		Sun Visor, with Arm and Bracket (6 1/4" Wide) Right.....	201876	1	F47
30-10-20)		Sun Visor, with Arm and Bracket (6 1/4" Wide) Left.....	201877	1	F47
		Sun Visor, with Arm and Bracket (6 1/4" Wide) Right.....	201878	1	K100
		Sun Visor, with Arm and Bracket (6 1/4" Wide) Left.....	201879	1	K100
		Sun Visor, with Arm and Bracket (5 1/4" Wide) Right.....	202647	1	All
		Sun Visor, with Arm and Bracket (5 1/4" Wide) Left.....	202648	1	All
		Sun Visor, with Arm and Bracket, Right (Leather).....	203438	1	F486, K482
		Sun Visor, with Arm and Bracket, Left (Leather).....	203439	1	F486, K482
		Sun Visor, with Arm and Bracket (Spec. Trim).....	203723	2	F486
		Sun Visor, with Arm and Bracket, Right (Vinolyte).....	203703	1	F485, K481
		Sun Visor, with Arm and Bracket, Left (Vinolyte).....	203704	1	F485, K481
		Screw, No. 10 - 12 x 1/2" Ov. Hd. Cr. Rec. Tap. (Chrome).....	441	6	All
		Panel, Sun Visor (6 1/4" Wide).....	201880	2	F47
		Panel, Sun Visor (6 1/4" Wide).....	201881	2	K100
		Panel, Sun Visor (5 1/4" Wide).....	202649	2	All
		Panel, Sun Visor (Leather).....	203440	2	F486, K482
		Panel, Sun Visor (Spec. Trim).....	203724	2	F486
		Panel, Sun Visor (Vinolyte).....	203705	2	F485, K481
		Arm and Bracket, Sun Visor, Right.....	202650	1	All
		Arm and Bracket, Sun Visor, Left.....	202651	1	All
		Arm and Bracket, Sun Visor (Spec. Trim)...	203725	2	F486

INTERIOR TRIM

30.600

FIGURE NUMBER	GROUP	PART NAME and DESCRIPTION	PART NUMBER	QTY.	MODELS
30.628 - ROBE RAIL CORD					
30-10-34		Cord.....	200722	1	F47, K101, F485, K482
		Cord.....	200721	1	K100, K481
		Cord (Leather).....	203441	1	K482
		Cord (Vinolyte).....	203706	1	F485, K481
		Key.....	200724	2	All except F47C, F486
		Tube.....	200725	2	All except F47C, F486
		Spring.....	200723	2	All except F47C, F486
30-10-1		Escutcheon, Cord.....	200726	2	All except F47C, F486
		Screw, No. 10 - 32 x 1/2" Ov. Hd. Cr.			
		Rec. (Chrome).....	200808	4	All except F47C, F486
30.630 - FLOOR MATS, CARPETS AND DASH INSULATING PAD					
30-10-27		Mat, Front Floor (L.H.D.).....	202255	1	F47, K100, F485
		Mat, Front Floor (R.H.D.).....	203730	1	F485, K481
		Carpet, Front Floor.....	202652	1	F47C, F486
		Carpet, Front Floor.....	203107	1	K101, K482
		Screw, Carpet Attaching, No. 10 - 12 x 3/8" Pan. Hd. Cr. Rec. Tap.....	594	8	F47C, K101, F486, K482
		Pad, Dash Insulating (L.H.D.).....	202589	1	All
		Pad, Dash Insulating (R.H.D.).....	203731	1	F485, K481
30-10-30		Carpet, Rear Floor.....	202253	1	F47, K100, F485, K481
		Carpet, Rear Floor (Green, Blue or Rose' Heather).....	203319	1	F485, K481
		Carpet, Rear Floor.....	202653	1	F47C, F486
		Carpet, Rear Floor.....	203108	1	K101, K482
30-2-17		Mat, Rear Comp't.....	202453	1	All except F47C, F486
		Carpet, Rear Comp't.(Leather K482)..	202654	1	F47C, F486, K482
		Carpet, Tool Comp't.(Leather K482)..	202677	1	F47C, F486, K482
		Carpet, Tool Comp't., Side (Leather).....	203442	1	F486, K482
		Carpet, Fuel Tank Filler Neck Cover (Leather).....	203443	1	F486, K482

FIGURE NUMBER	GROUP	PART NAME and DESCRIPTION	PART NUMBER	QTY.	MODELS
30.702 - BODY WIRING HARNESS					
		Harness (Dome Light and Switches, Gas Gauge, License Light) up to. (Body No. (L.H.D.)..	202162	1	F47, F485,
		Harness (Dome Light and Switches, Gas Gauge, License Light) after. (F485-1838 (L.H.D.)..	202953	1	F47, F485
		Harness (Dome Light and Switches, Gas Gauge, License Light)..... (R.H.D.)..	203660	1	F485
		Harness (Dome Light and Switches, Gas Gauge, License Light) up to. (Body No. (L.H.D.)..	202164	1	K100
		Harness (Dome Light and Switches, Gas Gauge, License Light) after. (K100-46044 (L.H.D.)..	202954	1	K100, K481
		Harness (Dome Light and Switches, Gas Gauge, License Light)..... (R.H.D.)..	203661	1	K481
		Harness (Dome Light and Switches, Gas Gauge, License Light) up to. (Body No. (L.H.D.)..	202954	1	K101
		Harness (Dome Light and Switches, Gas Gauge, License Light) after. (K101-1801 (L.H.D.)..	203184	1	K101, K482
		Harness (Dome Light and Switches, Gas Gauge, License Light)..... (L.H.D.)..	202655	1	F47C, F486
		Terminal, 15 Amp. 18 Ga. Wire.....	201496	*	F47
		Terminal, 15 Amp. 12 Ga. Wire.....	200996	*	All except F47C, F486
		Terminal, Slip On.....	201458	*	All
		Terminal, 15 Amp. 14-16 Ga. Wire.....	201214	*	All
		Sleeve, 9/64" I.D. x 5".....	202163	*	F47
		Sleeve, 9/64" I.D. x 1".....	200998	*	All
		Sleeve, 9/64" I.D. x 1 1/2".....	201459	*	All
		Sleeve, 13/64" I.D. x 1".....	200997	*	All except F47C, F486
		Grommet, Body Harness (in Deck Lid).....	202160	1	All
		Block, Rear Comp't. Cable Junction.....	201602	1	All
		Screw, No. 10 - 12 x 3/8" Pan. Hd.			
		Sl. Tap.	377	2	All
		Lockwasher, No. 10 Med.	254	2	All
		Nut, No. 10 - 32 Hx.	202	2	All
30.703 - COURTESY (OR) MAP LIGHT					
19-1-16		Lens and Bezel (L.H.D.) (R.H.D.).....	202657	2	F47C, F486, F485, K481
		Bulb (L.H.D.) (R.H.D.).....	202658	2	F47C, F486, F485, K481
19-1-29		Switch, Manual (L.H.D.).....	200821	1	F47C, F486
		Screw, No. 8 - 32 x 1/4" Pan Hd. Cr. Rec.(Chrome)..			
		Lockwasher, No. 8 Int.	600	2	F47C, F486
		Tooth.....	273	2	F47C, F486
		Screw, No. 8 - 32 x 1/4" Rd. Hd. Sl.			
		Lockwasher, No. 8 Int.	310	2	F47C, F486
		Tooth.....	273	2	F47C, F486
		Switch, Manual (R.H.D.).....	203662	1	F485, K481
		Nut (Switch Mounting).....	203625	1	F485, K481
		Screw, No. 8 - 32 x 1/4" Rd. Hd. Sl.			
		Switch	310	2	F485, K481
		Terminal			

*As required

FIGURE NUMBER	GROUP	PART NAME and DESCRIPTION	PART NUMBER	QTY.	MODELS
30.710 - GLOVE COMPARTMENT LIGHT					
7-1-9		Cable and Socket.....	202266	1	All
		Bulb, Mazda No. 1129.....	201502	1	All
		Switch, Automatic.....	202268	1	All
		Nut (Switch Mounting) 3/8" - 24 Hx.	202267	1	All
		Screw, No. 6 - 32 x 3/16" { Switch	530	2	All
		Rd. Hd. Sl. { Terminal } ..			
		Lockwasher, No. 6 Ext. Tooth { Terminal } ..	518	2	All
		Cable, Switch to Ammeter, up to Body No. K100-46044, K101-1801, F485-1838.....	202265	1	F47, K100, K101, F485
30.712 - LICENSE LIGHT CABLE AND SOCKET					
		Cable, Connector.....	201384	1	F47, F485
		Cable, Connector.....	201538	1	K100, K101, K481, K482
		Socket, up to..... { Body No. F47- }.....	201537	1	F47, K100
		Socket, after..... { 4900, K100-8302 }.....	202359	1	All except F47C, F486
		Spring, Bulb Socket.....	200860	1	All except F47C, F486
		Gasket, Bulb Socket.....	202815	1	All except F47C, F486
		Bulb, Mazda No. 63.....	201600	1	All except F47C, F486
7-1-15		Cable and Socket, Rear Comp't. Light and License Light.....	202660	1	F47C, F486
		Bulb, Mazda No. 63.....	201600	2	F47C, F486
		Bracket, Rear Comp't. Light.....	202661	1	F47C, F486

BODY INTERIOR FITTINGS

30.800

FIGURE NUMBER	GROUP	PART NAME and DESCRIPTION	PART NUMBER	QTY.	MODELS
30.802 - REAR VIEW MIRROR					
30-10-24		Mirror and Bracket (Painted).....	200652	1	F47, K100, K481
30-10-24		Mirror and Bracket (Chrome).....	202721	1	F47, K101, K482
30-10-24		Mirror and bracket, glass proof tilt.....	203858	1	F47, K101, F485, K482
30-10-24		Mirror and Bracket, Glare Proof Tilt.....	202662	1	F47C, F486
30-10-24		Mirror and Bracket, Glare Proof Tilt (Leather Trim).....	202662	1	K482
30.804 - WINDSHIELD AND DOOR GARNISH MOULDING					
Front and Rear Door Garnish Moulding (See Groups 30.101 and 30.119)					
Windshield Garnish Moulding (See Group 30.304)					
30.806 - FRONT SEAT BACK ASH RECEIVER					
30-10-4		Ash Receiver (incl. Cover and Knob) (Prime).....	200695	1	All except F47C, F486
30-10-4		Retainer, Ash Receiver.....	200720	1	All except F47C, F486
		Screw, No. 8 - 32 x 3/4" Ov. Hd. Cr. Rec.	443	2	All except F47C, F486
		Speednut.....	201884	2	All except F47C, F486
		Ash Receiver Complete (Specify Trim Code).	202775	1	F47C, F486
		Retainer, Ash Receiver.....	202663	1	F47C, F486
		Screw, No. 10 - 24 x 3/8" Rd. Hd. Cr. Rec.	365	4	F47C, F486
		Flatwasher, No. 10 Ext. Tooth.....	294	4	F47C, F486
		Panel, Ash Receiver Front Panel (incl. Handle) (Jasper Green).....	202665	1	F47C, F486
		Panel, Ash Receiver Front Panel (incl. Handle) (Hickory Brown).....	203605	1	F47C, F486
		Panel, Ash Receiver Front Panel (incl. Handle) (Magenta Maroon).....	203606	1	F47C, F486
		Panel, Ash Receiver Front Panel (incl. Handle) (Wedgewood Blue).....	203607	1	F47C, F486
		Panel, Ash Receiver Front Panel (incl. Handle) (Broadcast Blue).....	203608	1	F47C, F486
		Panel, Ash Receiver Front Panel (incl. Handle) (Teal Blue).....	203609	1	F47C, F486
30.808 - SCUFF PLATES					
		Plate, Right Front.....(lettered Frazer)..	202211	1	F47
		Plate, Left Front.....(lettered Frazer)..	202212	1	F47
		Plate, Right Front.....(lettered Kaiser)..	202215	1	K100
		Plate, Left Front.....(lettered Kaiser)..	202216	1	K100
		Plate, Right Front.....(Plain).....	202219	1	All
		Plate, Left Front.....(Plain).....	202220	1	All
		Plate, Right Rear.....(lettered Frazer)..	202213	1	F47
		Plate, Left Rear.....(lettered Frazer)..	202214	1	F47
		Plate, Right Rear.....(lettered Kaiser)..	202217	1	K100
		Plate, Left Rear.....(lettered Kaiser)..	202218	1	K100
		Plate, Right Rear.....(Plain).....	202221	1	All
		Plate, Left Rear.....(Plain).....	202222	1	All
		Screw (Chrome) (to Rocket Panel) No. 10 - 12 x 1/2" Fl. Hd. Cr. Rec. Tap.	593	22	All

FIGURE NUMBER	GROUP	PART NAME and DESCRIPTION	PART NUMBER	QTY.	MODELS
30.808 - SCUFF PLATES (CONT'D.)					
		Screw, (to Floor Pan) No. 10 - 12 x 3/8" Pan Hd. Cr. Rec. Tap.	594	18	All
30.810 - FRONT SEAT BACK ASSIST HANDLE					
		Handle.....	202668	2	F47C, F486
		Screw, No. 12 - 24 x 3/8" Rd. Hd. Cr.			
		Rec.	601	4	F47C, F486
		Lockwasher, No. 12 Int. Ext. Tooth.....	588	4	F47C, F486

NOTES