

FIGURE 7-1 — KAISER DELUXE ELECTRICAL WIRING - INSTALLED VIEW

FIGURE 7-1 — KAISER DELUXE ELECTRICAL WIRING - INSTALLED VIEW

KEY	PART NAME	GROUP	KEY	PART NAME	GROUP
1	Cable and Socket, Parking Light.....	7.568	17	Harness, Body Wiring.....	30.702
2	Cable, Headlight.....	7.546	18	Cable and Socket, License Light.....	30.0702
3	Harness, Headlight Cable Terminal Block.....	7.552	19	Cable and Socket, Tail Light, Left.....	7.576
4	Cable, No. 4, 5 and 6, Spark Plug.....	7.360	20	Cable and Socket, Tail Light, Right.....	7.576
5	Cable, No. 3, Spark Plug.....	7.360	21	Cable, Overdrive Rail Switch to Governor.....	7.810
6	Cable, No. 2, Spark Plug.....	7.360	22	Harness, Overdrive Wiring.....	7.812
7	Cable, No. 1, Spark Plug.....	7.360	23	Harness, Instrument Lights Wiring.....	7.643
8	Cable, Primary, Low Tension.....	7.360	24	Connector, Directional Signal Light Flasher.....	7.635
9	Cable, Secondary, High Tension.....	7.360	25	Cable, Starting Motor to Solenoid.....	7.265
10	Cable, Air Conditioner Blower Feed.....	40.002	26	Cable, Battery to Solenoid.....	7.510
11	Switch, Glove Compartment Light.....	30.710	27	Harness, Generator to Voltage Regulator.....	7.470
12	Fuse, Seat Back Cigar Lighter Cable.....	7.657	28	Cable, Battery to Ground.....	7.510
13	Cable, Seat Back Cigar Lighter Fuse.....	7.657	29	Cable, Horn Relay to Horn.....	7.525
14	Cable, Seat Back Cigar Lighter Fuse.....	7.657	30	Strap, Engine Ground.....	1.030
15	Cable, Seat Back Cigar Lighter Feed.....	7.657	31	Harness, Chassis Wiring.....	7.700
16	Cable, Horn Blowing Ring.....	7.536			

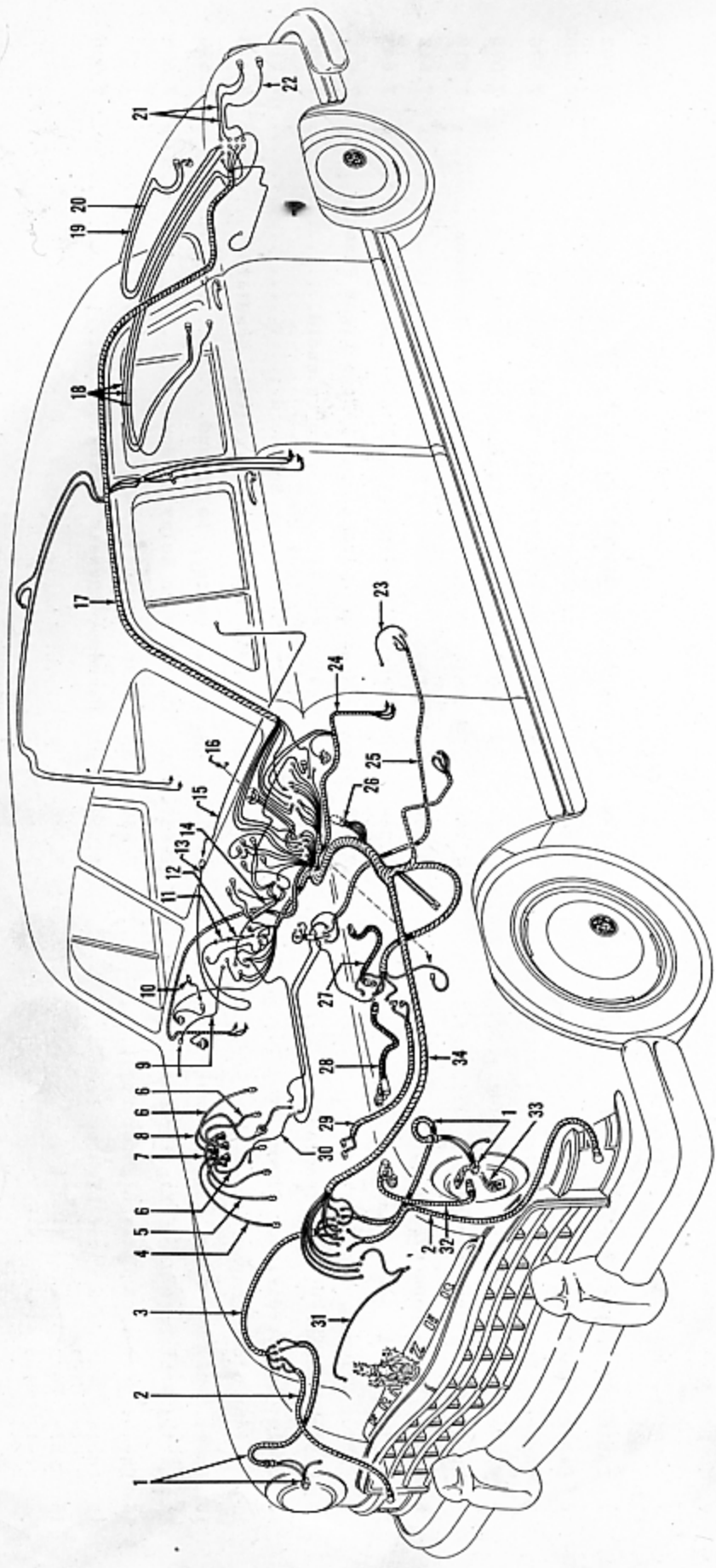


FIGURE 7-2 — FRAZER MANHATTAN ELECTRICAL WIRING - INSTALLED VIEW

FIGURE 7-2 — FRAZER MANHATTAN ELECTRICAL WIRING - INSTALLED VIEW

KEY	PART NAME	GROUP	KEY	PART NAME	GROUP
1	Cable, Headlight.....	7.546	19	Cable and Socket, License Light	30.0702
2	Cable, Parking Light.....	7.568	20	Cable and Socket, Rear Compartment Lamp	40.139
3	Harness, Headlight Cable Terminal Block.....	7.552	21	Cable and Socket, Tail and Stop, Left	7.576
4	Cable, No. 1, Spark Plug	7.360	22	Cable and Socket, Directional Light, Left	7.576
5	Cable, No. 2, Spark Plug	7.360	23	Cable, Overdrive Rail Switch to Governor.....	7.810
6	Cable, No. 4, 5 and 6, Spark Plug	7.360	24	Harness, Courtesy Light Wiring.....	7.648
7	Cable, No. 3, Spark Plug	7.360	25	Harness, Overdrive Wiring.....	7.812
8	Cable, Secondary, High Tension	7.360	26	Connector, Directional Signal Light Flasher.....	7.635
9	Cable, Air Conditioner Blower Feed	40.002	27	Cable, Starting Motor to Solenoid.....	7.265
10	Switch, Glove Box Lamp	30.700	28	Cable, Battery to Solenoid.....	7.510
11	Fuse, Cigar Lighter	7.657	29	Harness, Generator to Voltage Regulator.....	7.470
12	Cable, Cigar Lighter Fuse	7.657	30	Cable, Primary, Low Tension.....	7.360
13	Cable, Cigar Lighter Fuse	7.657	31	Cable, Relay to Horn.....	7.525
14	Harness, Instrument Lights	7.643	32	Cable, Battery Ground.....	7.510
15	Cable, Cigar Lighter Seat Back	7.657	33	Strap, Engine Ground.....	1.030
16	Cable, Horn Blowing Ring	7.536	34	Harness, Chassis Wiring.....	7.700
17	Harness, Body Wiring	30.702			
18	Cable and Socket, Tail, Stop and Directional Light, Right	7.576			

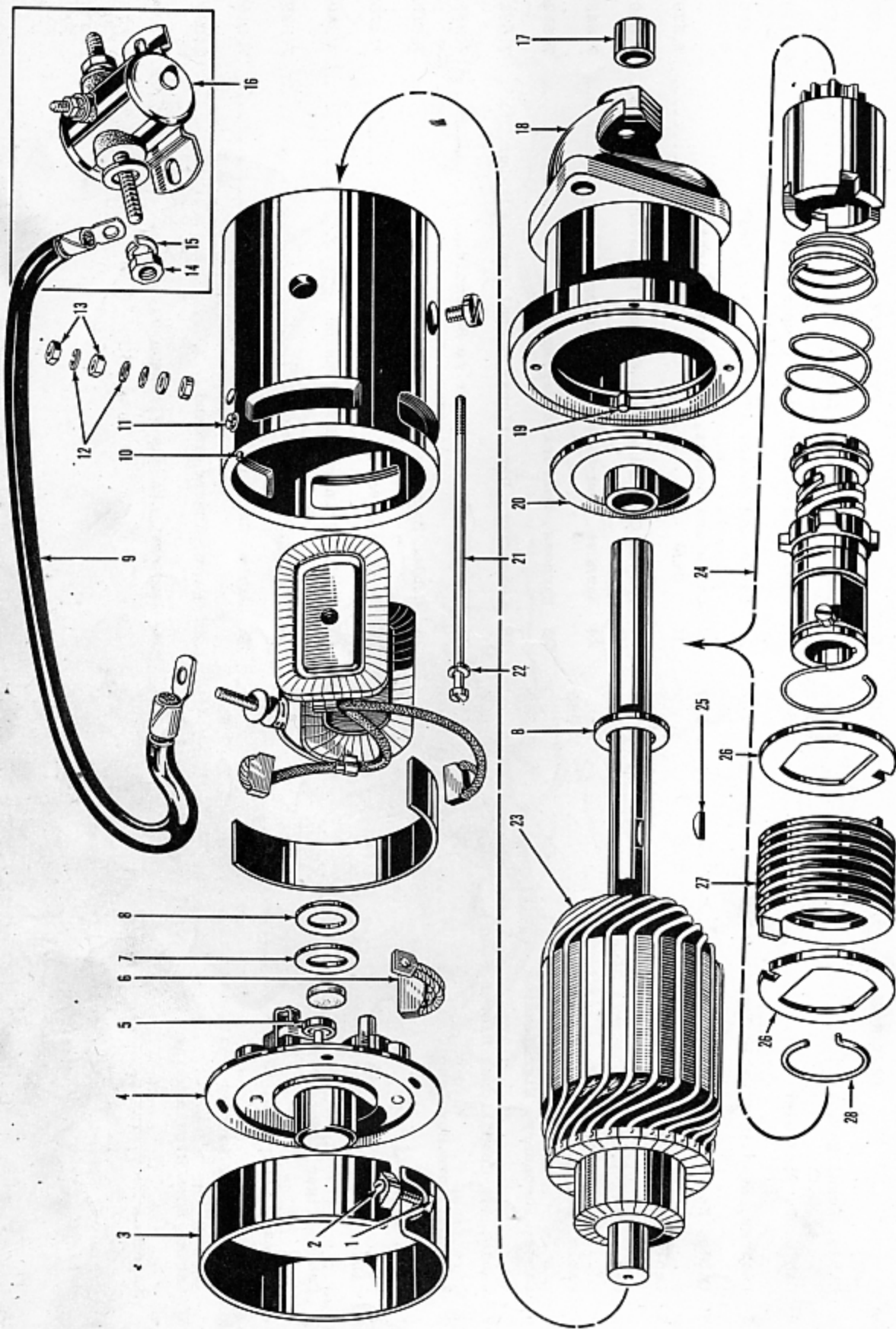


FIGURE 7-3 — TYPICAL STARTER - EXPLODED VIEW

FIGURE 7-3 — TYPICAL STARTER - EXPLODED VIEW

KEY	PART NAME	GROUP	KEY	PART NAME	GROUP
1	Nut, Cover Band Screw.....	7.238	15	Lockwasher, Solenoid Terminal.....	7.265
2	Screw, Cover Band.....	7.238	16	Solenoid.....	7.265
3	Band, Cover.....	7.238	17	Bearing, Drive Housing.....	7.242
4	Plate, Commutator End.....	7.234	18	Housing, Drive.....	7.242
5	Spring, Motor Brush.....	7.236	19	Dowel, Drive Housing.....	7.242
6	Brush, Motor (Sets only).....	7.236	20	Plate, Center.....	7.240
7	Thrustwasher, Armature.....	7.224	21	Bolt, Thru.....	7.234
8	Thrustwasher, Armature.....	7.224	22	Lockwasher, Thru Bolt.....	7.234
9	Cable, Solenoid to Starter Motor.....	7.265	23	Armature, Motor.....	7.224
10	Pin, Commutator End Plate Dowel.....	7.234	24	Drive, Bendix.....	7.244
11	Screw, Brush.....	7.236	25	Key, Bendix Drive.....	7.244
12	Lockwasher, Field Coil Terminal Stud.....	7.228	26	Plate, Bendix Drive Spring Anchor.....	7.244
13	Nut, Field Coil Terminal Stud.....	7.228	27	Spring, Bendix Drive.....	7.244
14	Nut, Solenoid Terminal.....	7.265	28	Lock Ring, Spring Anchor Plate.....	7.244

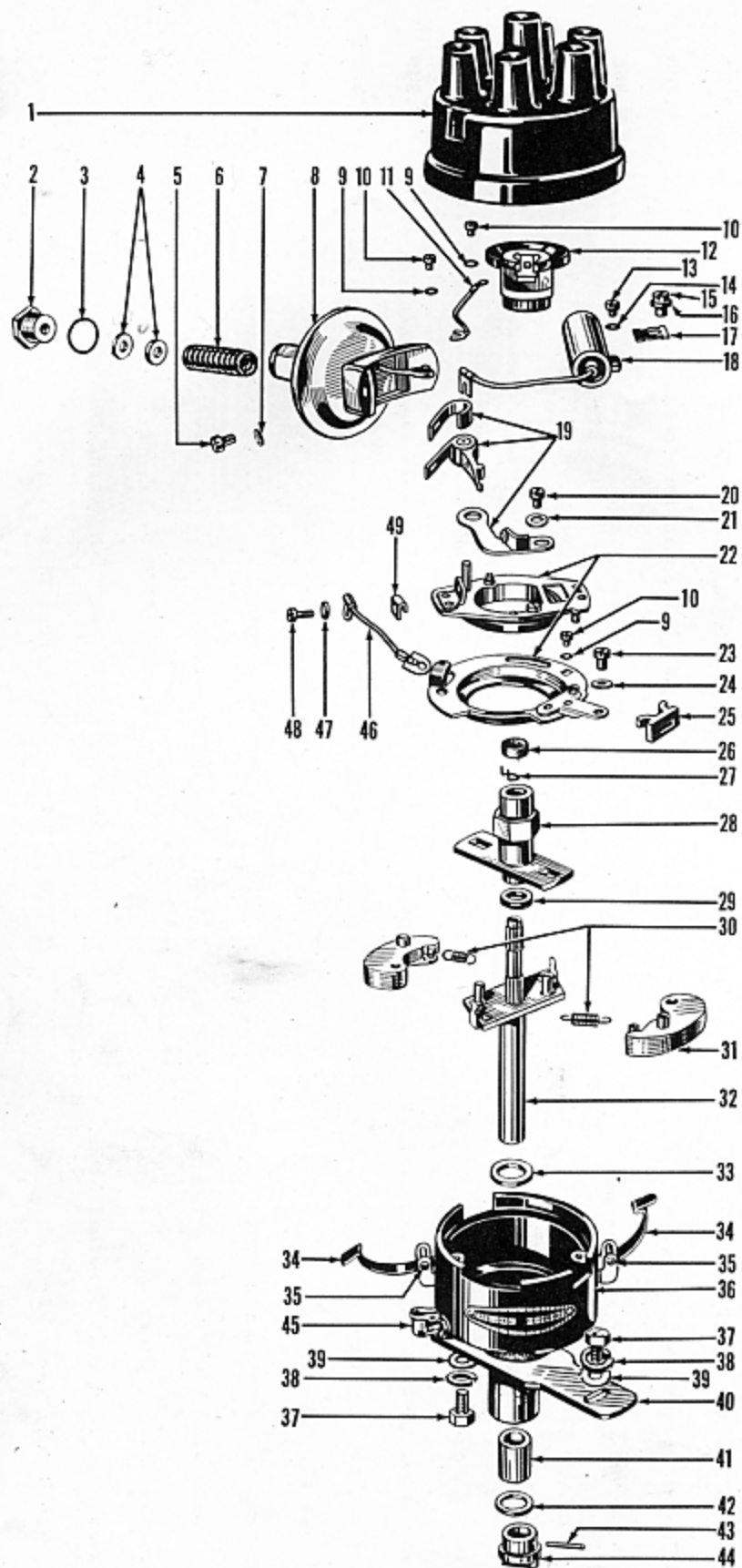


FIGURE 7-4 — TYPICAL DISTRIBUTOR - EXPLODED VIEW

FIGURE 7-4 — TYPICAL DISTRIBUTOR - EXPLODED VIEW

KEY	PART NAME	GROUP
1	Cap, Distributor.....	7.302
2	Plug, Vacuum Chamber.....	7.338
3	Gasket, Vacuum Chamber Plug.....	7.338
4	Washer, Vacuum Chamber.....	7.338
5	Screw, Vacuum Chamber.....	7.334
6	Spring, Vacuum Chamber.....	7.338
7	Lockwasher, Vacuum Chamber Screw.....	7.334
8	Chamber, Vacuum.....	7.334
9	Lockwasher, Breaker Plate Lead Screw.....	7.310
10	Screw, Breaker Plate Lead.....	7.310
11	Lead, Breaker Plate.....	7.310
12	Rotor, Distributor.....	7.332
13	Screw, Condenser.....	7.318
14	Lockwasher, Condenser Screw.....	7.318
15	Screw, Breaker Plate.....	7.310
16	Lockwasher, Breaker Plate Screw.....	7.310
17	Clamp, Breaker Plate.....	7.310
18	Condenser, Distributor.....	7.318
19	Point Set, Breaker.....	7.316
20	Screw, Breaker Point Set.....	7.316
21	Lockwasher, Breaker Point Set Screw.....	7.316
22	Plate, Breaker.....	7.310
23	Screw, Terminal.....	7.300
24	Lockwasher, Terminal Screw.....	7.300
25	Cover, Terminal Slot.....	7.310
26	Felt, Cam and Shaft.....	7.332
27	Snap Ring, Cam and Shaft.....	7.332
28	Cam and Shaft, Distributor.....	7.332
29	Spacer, Cam and Shaft.....	7.332
30	Spring Set, Shaft and Governor Weight.....	7.324
31	Governor Weight, Drive Shaft.....	7.324
32	Shaft, Distributor.....	7.324
33	Thrustwasher, Shaft, Upper.....	7.324
34	Clip, Spring (incl. in Distributor Base Assembly).....	7.302
35	Pin, Spring Clip Pivot (incl. in Distributor Base Assembly).....	7.302
36	Base, Distributor.....	7.302
37	Bolt, Advance Arm.....	7.308
38	Lockwasher, Advance Arm Bolt.....	7.308
39	Flatwasher, Advance Arm Bolt.....	7.308
40	Arm, Advance.....	7.308
41	Bushing.....	7.302
42	Thrustwasher, Shaft, Lower.....	7.324
43	Pin, Drive Shaft Coupling.....	7.330
44	Coupling, Drive Shaft.....	7.330
45	Oiler, Distributor.....	7.302
46	Lead, Breaker Plate.....	7.310
47	Flatwasher, Breaker Point Set Clip Screw.....	7.316
48	Screw, Breaker Point Set Clip.....	7.316
49	Clip, Breaker Point Set.....	7.316

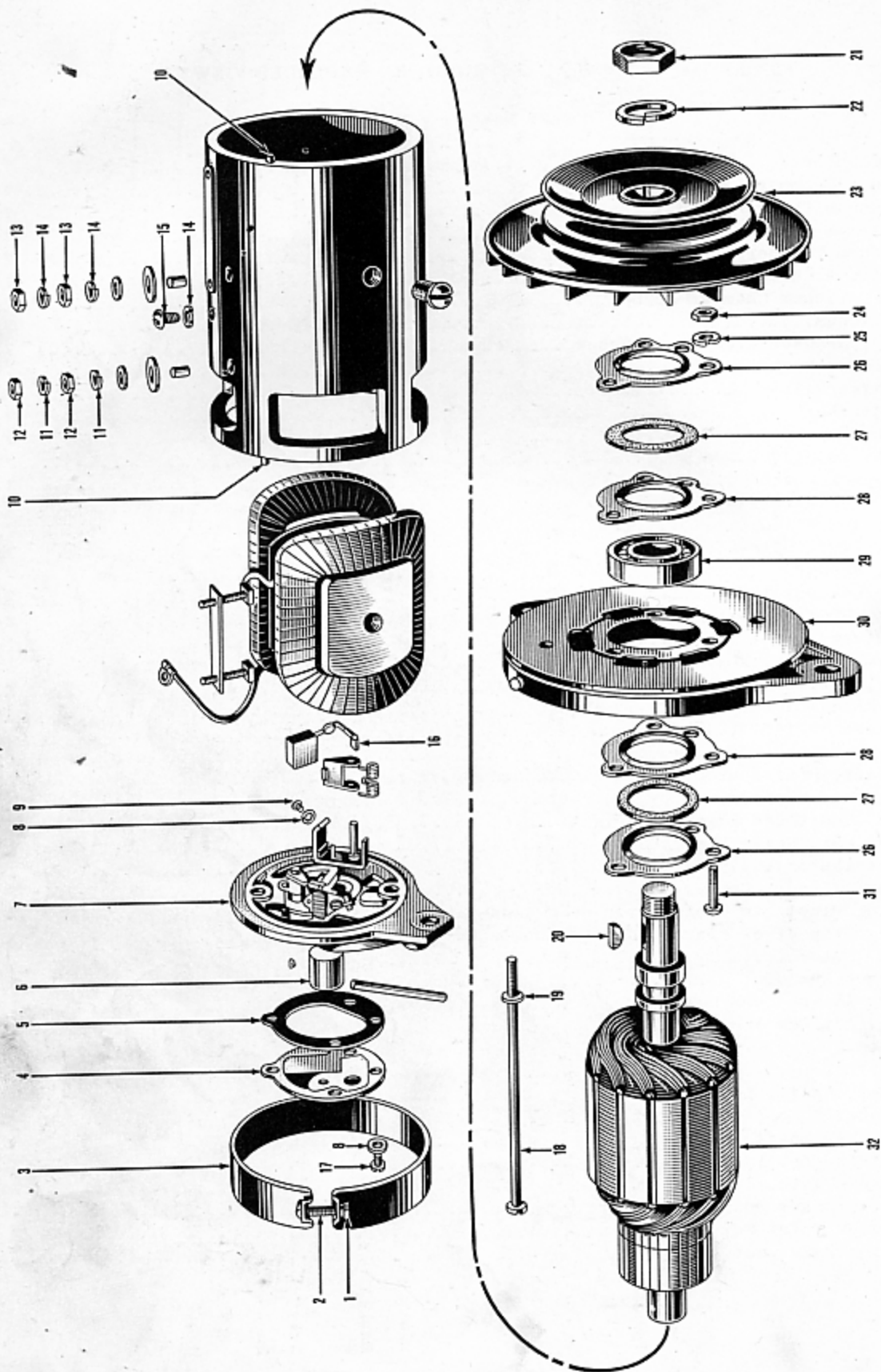


FIGURE 7-5 — TYPICAL GENERATOR - EXPLODED VIEW

FIGURE 7-5 — TYPICAL GENERATOR - EXPLODED VIEW

KEY	PART NAME	GROUP	KEY	PART NAME	GROUP
1	Nut.....	7.426	17	Screw.....	7.412
2	Screw.....	7.426	18	Bolt, Thru.....	7.412
3	Band, Generator Cover.....	7.426	19	Lockwasher.....	7.412
4	Retainer, Commutator End Plate Bearing.....	7.412	20	Key.....	7.434
5	Gasket, Commutator End Plate Bearing Retainer.....	7.412	21	Nut.....	7.434
6	Bearing, Commutator End Plate.....	7.412	22	Lockwasher.....	7.434
7	Plate, Commutator End.....	7.412	23	Pulley, Drive.....	7.434
8	Lockwasher.....	7.420	24	Nut.....	7.428
9	Screw.....	7.420	25	Lockwasher.....	7.428
10	Dowel Pin.....	7.412	26	Retainer, Drive End Plate Bearing.....	7.428
11	Lockwasher.....	7.402	27	Seal, Drive End Plate.....	7.428
12	Nut.....	7.402	28	Retainer, Drive End Plate Seal.....	7.428
13	Nut.....	7.402	29	Bearing, Drive End Plate.....	7.428
14	Lockwasher.....	7.402	30	Plate, Drive End.....	7.428
15	Screw.....	7.400	31	Screw, Drive End Plate Retainer.....	7.428
16	Brush Set.....	7.420	32	Armature.....	7.402

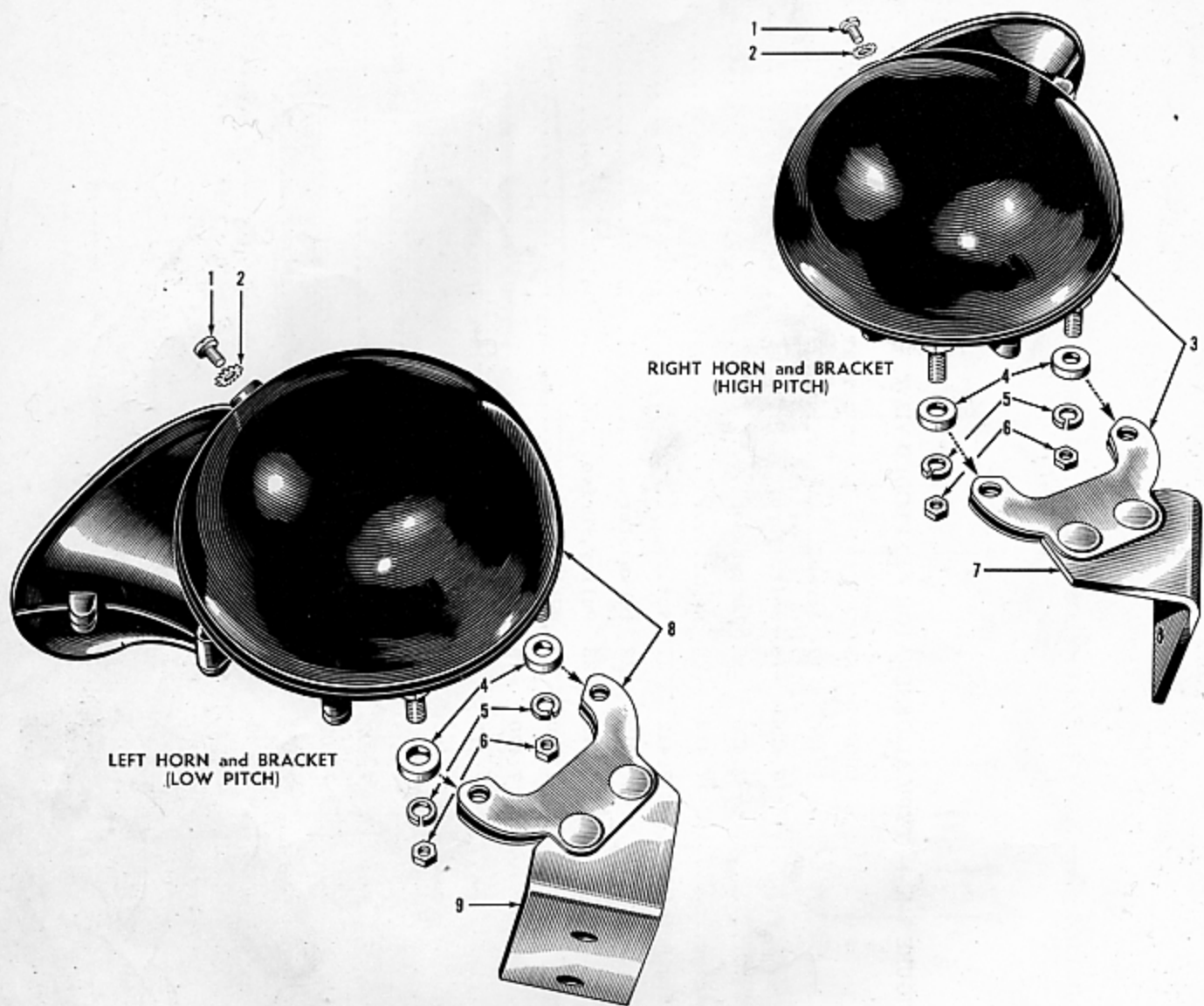


FIGURE 7-6 — TYPICAL HORNS

KEY	PART NAME	GROUP	KEY	PART NAME	GROUP
1	Screw, Horn Cable Terminal.....	7.520	6	Nut, Horn to Bracket.....	7.520
2	Lockwasher, Horn Cable Terminal...	7.520	7	Bracket, Horn Mounting, Right.....	7.520
3	Horn Assembly, Right, High Pitch..	7.520	8	Horn Assembly, Left, Low Pitch....	7.520
4	Spacer, Bracket to Horn.....	7.520	9	Bracket, Horn Mounting, Left.....	7.520
5	Lockwasher, Horn to Bracket.....	7.520			

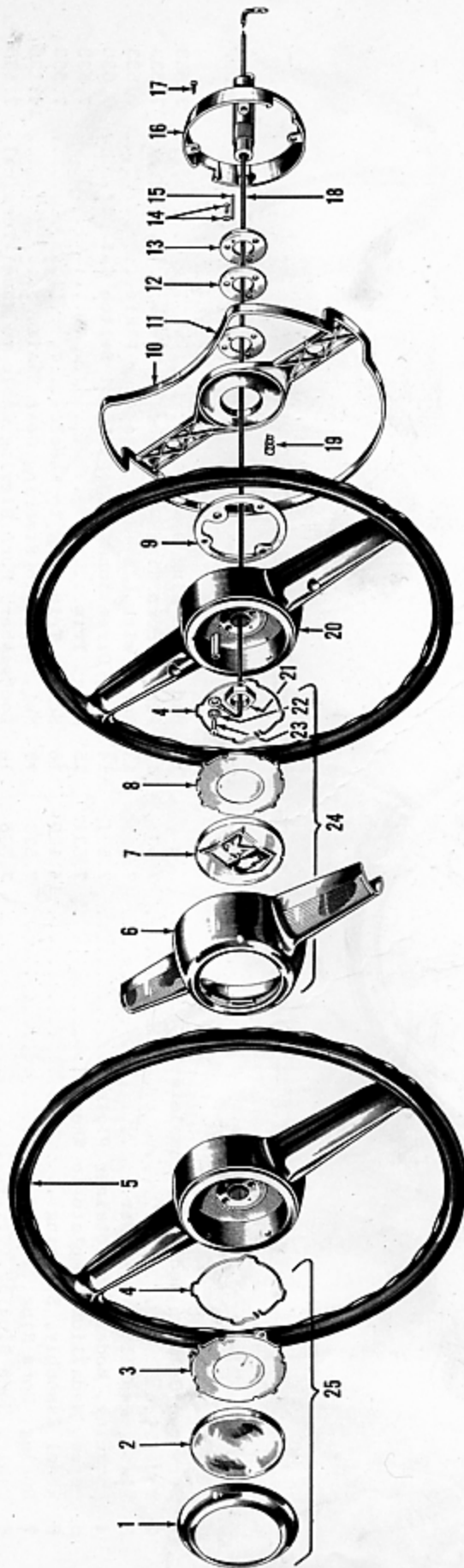


FIGURE 7-7 — HORN BLOWING MECHANISM - MODELS 491, 492, 495 - EXPLODED VIEW

KEY	PART NAME	GROUP	KEY	PART NAME	GROUP
1	Serviced Only in Medallion Complete.....		14	Screw with L/W, Horn Ring Retaining Plate.....	7.533
2	Medallion.....	7.531	15	Pin, Directional Signal Light Switch Cut-Off.....	7.630
3	Plate, Medallion Retainer.....	7.531	16	Ring, Trim.....	7.533
4	Lockring, Medallion Retainer Plate.....	7.531	17	Screw, Trim Ring to Wheel.....	7.533
5	Wheel Assembly, Steering.....	14.126	18	Cable, Horn Blowing.....	7.536
6	Serviced Only in Medallion Complete.....		19	Spring, Horn Ring.....	7.533
7	Medallion.....	7.531	20	Wheel Assembly, Steering.....	14.126
8	Plate, Medallion Retainer.....	7.531	21	Nut, Wheel to Steering Gear Shaft.....	14.126
9	Serviced Only in Wheel Assembly.....		22	Lockwasher, Horn Blowing Cable to Wheel Terminal.....	7.536
10	Ring, Horn Blowing.....	7.533	23	Screw, Horn Blowing Cable to Wheel Terminal.....	7.536
11	Plate, Horn Ring Grounding.....	7.533	24	Medallion Complete, Horn.....	7.531
12	Pad, Horn Ring Damper.....	7.533	25	Medallion Complete, Horn.....	7.531
13	Plate, Horn Ring Retaining.....	7.533			

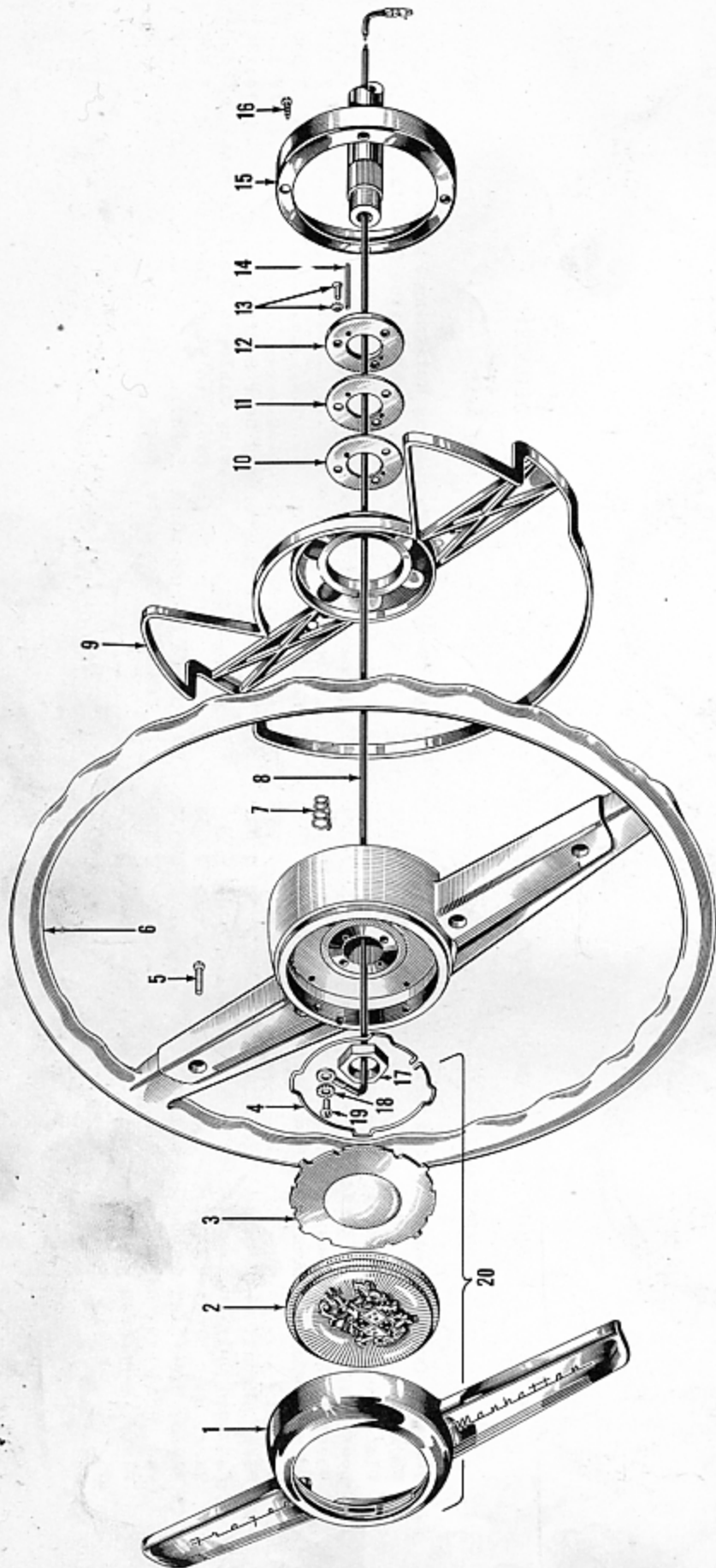


FIGURE 7-8 — HORN BLOWING MECHANISM - MODEL 496 - EXPLODED VIEW

KEY	PART NAME	GROUP	KEY	PART NAME	GROUP
1	Serviced Only in Medallion Complete.....		11	Pad, Horn Ring Damper.....	7.533
2	Medallion.....	7.531	12	Plate, Horn Ring Retaining.....	7.533
3	Plate, Medallion Retainer.....	7.531	13	Screw with L/W, Horn Retaining Plate.....	7.533
4	Lockring, Medallion Retainer Plate.....	7.531	14	Pin, Directional Signal Light Switch Cut-Off.....	7.630
5	Screw, Medallion Complete to Wheel.....	7.531	15	Ring, Trim.....	7.533
6	Wheel Assembly, Steering.....	14.126	16	Screw, Trim Ring to Wheel.....	7.533
7	Spring, Horn Ring.....	7.533	17	Nut, Wheel to Steering Gear Shaft.....	14.126
8	Cable, Horn Blowing.....	7.536	18	Lockwasher, Horn Blowing Cable to Wheel Terminal.....	7.536
9	Ring, Horn Blowing.....	7.533	19	Screw, Horn Blowing Cable to Wheel Terminal.....	7.536
10	Plate, Horn Ring Grounding.....	7.533	20	Medallion Complete, Horn.....	7.531

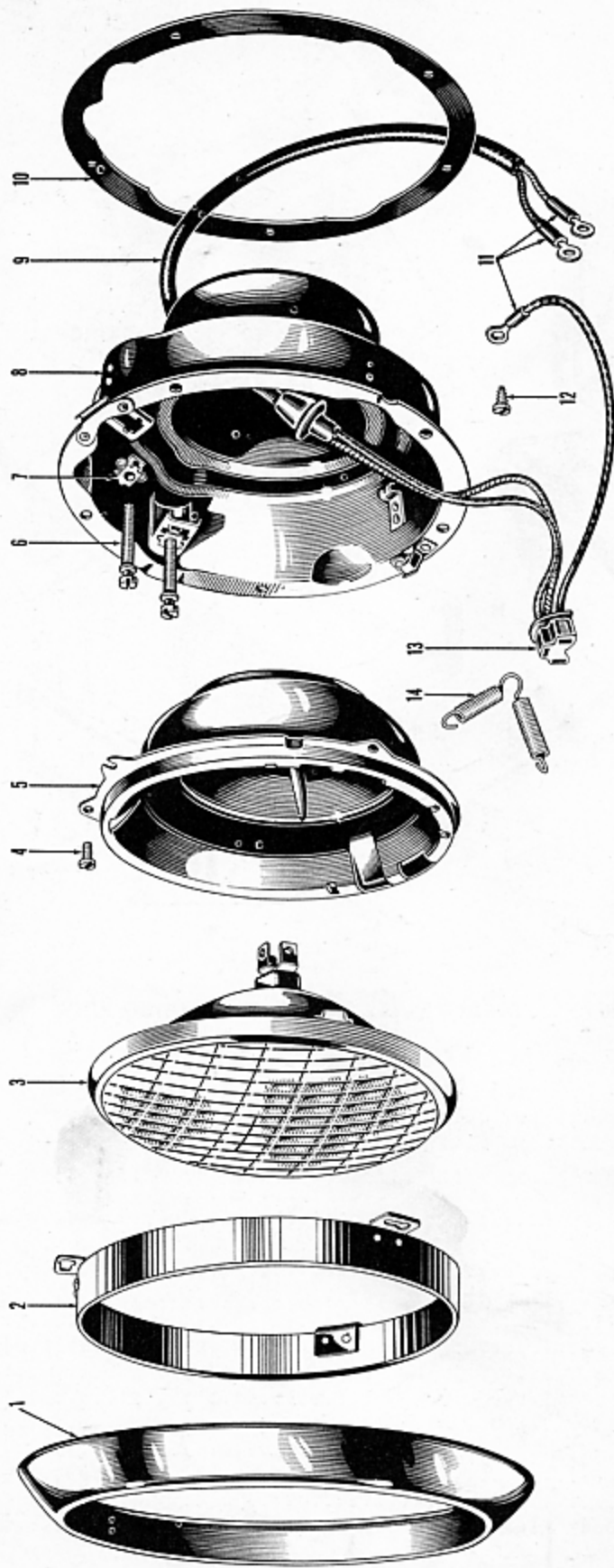


FIGURE 7-9 — TYPICAL HEADLIGHT - EXPLODED VIEW

KEY	PART NAME	GROUP	KEY	PART NAME	GROUP
1	Door, Headlight.....	7.540	8	Serviced Only in Headlight Assembly.....	
2	Ring, Sealed Beam Retaining.....	7.540	9	Cable.....	7.546
3	Sealed Beam Unit.....	7.540	10	Gasket, Headlight to Fender.....	7.540
4	Screw, Retaining Ring.....	7.540	11	Sleeve, Cable.....	7.546
5	Seat, Sealed Beam Unit.....	7.540	12	Screw, Ground.....	7.546
6	Screw, Sealed Beam Adjusting.....	7.540	13	Connector, Cable.....	7.546
7	Nut, Sealed Beam Adjusting Screw.....	7.540	14	Spring, Adjusting.....	7.540

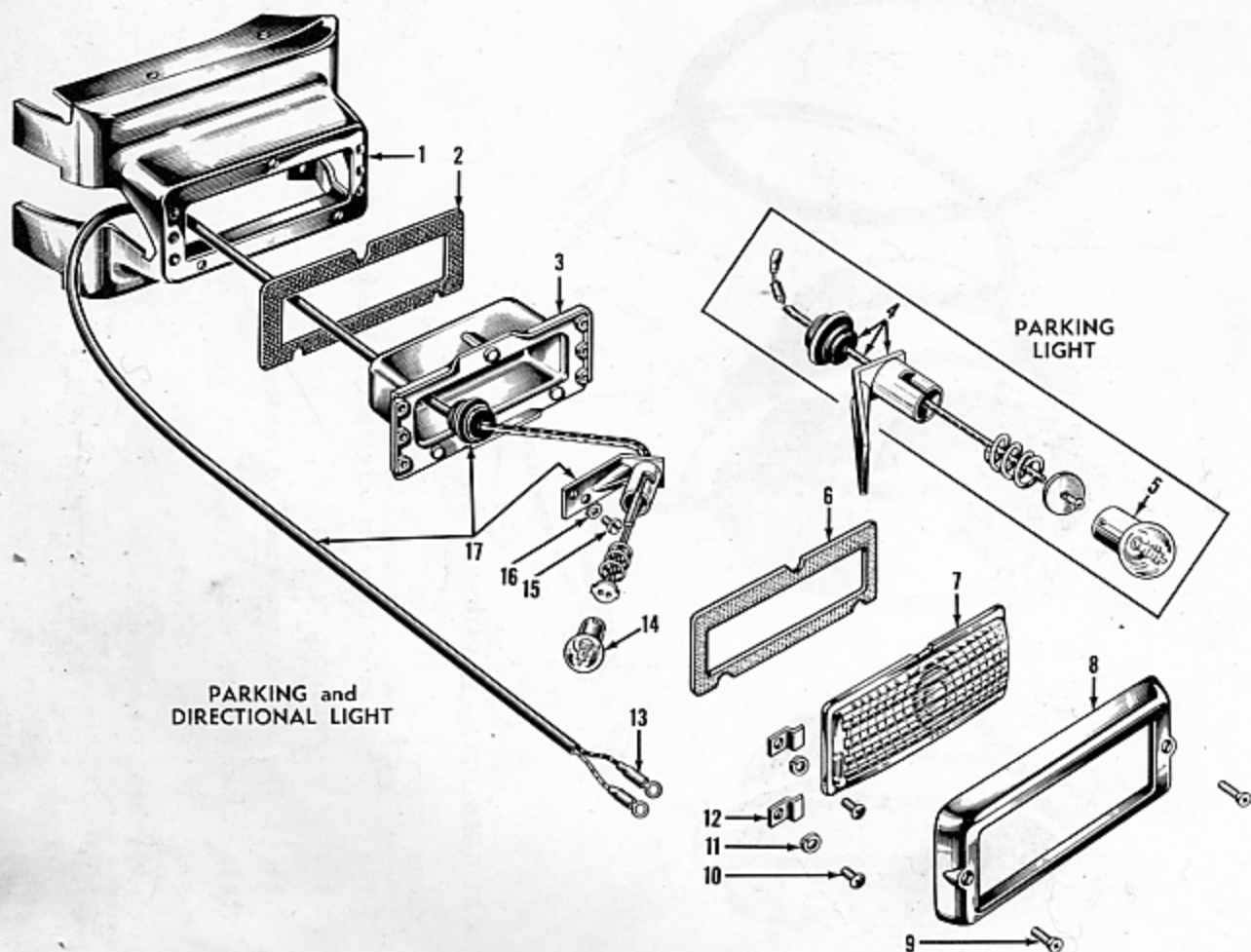
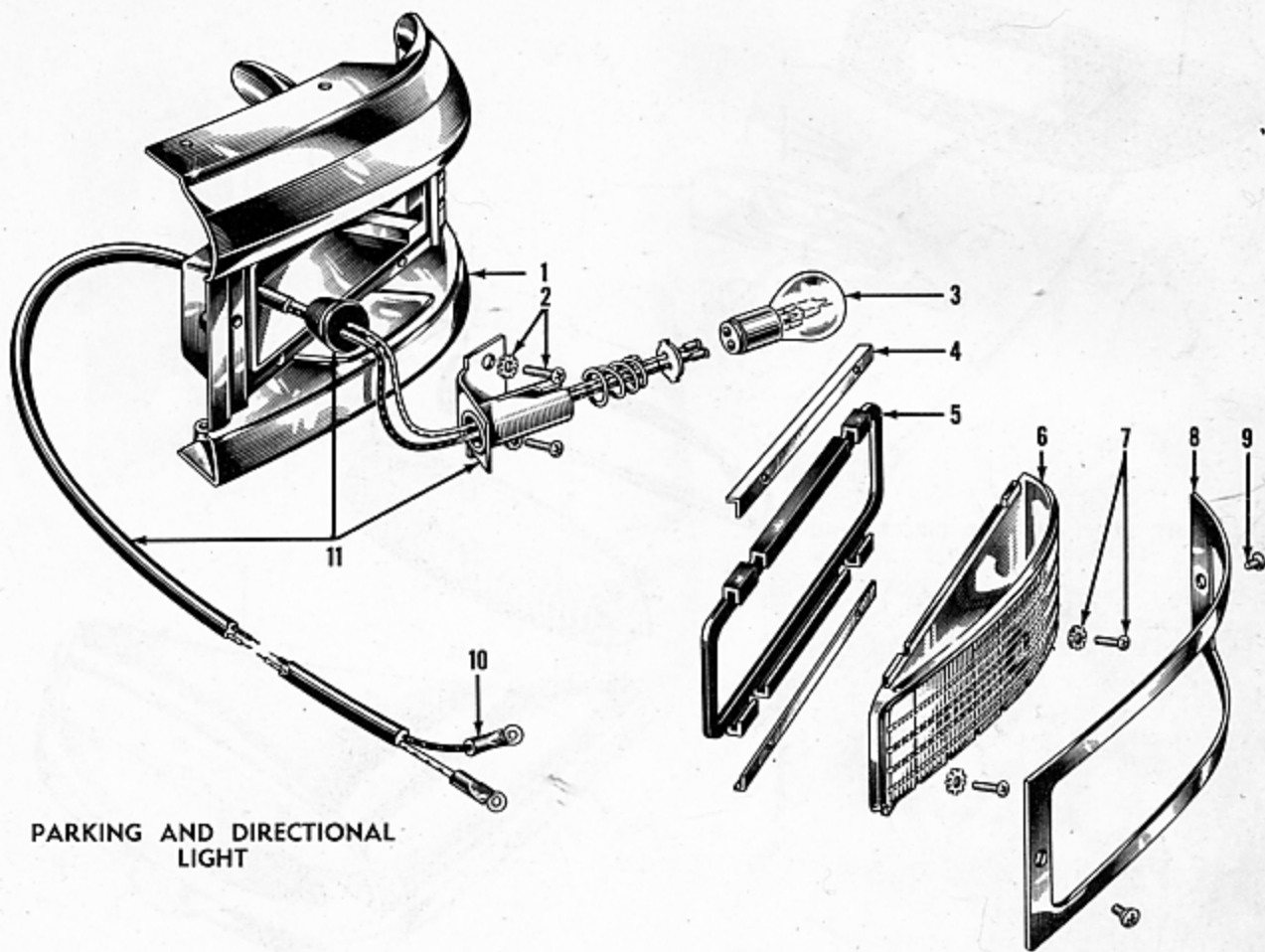


FIGURE 7-10 — KAISER PARKING AND DIRECTIONAL LIGHT - EXPLODED VIEW

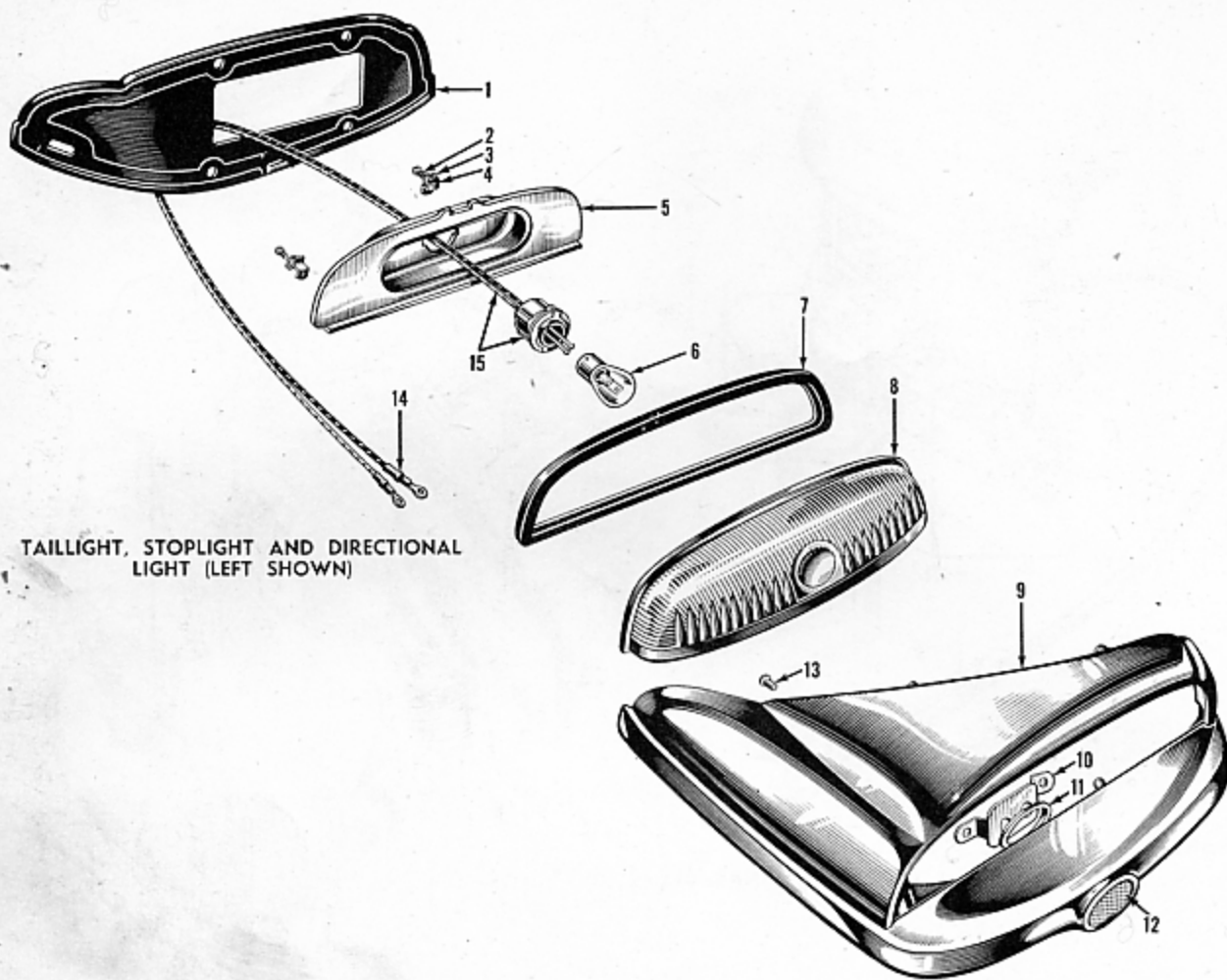
KEY	PART NAME	GROUP
1	Housing, Parking Light.....	7.560
2	Pad, Parking Light to Grille Housing.....	7.560
3	Serviced Only in Parking Light Assembly.....	
4	Cable Assembly, Parking Light.....	7.568
5	Bulb, Parking Light.....	7.564
6	Gasket, Lens.....	7.563
7	Lens.....	7.563
8	Bezel.....	7.563
9	Screw, Bezel to Body.....	7.563
10	Screw, Lens Retainer.....	7.563
11	Lockwasher, Lens Retainer Screw.....	7.563
12	Retainer, Lens.....	7.563
13	Sleeve, Parking Light Cable.....	7.568
14	Bulb, Parking and Directional Light.....	7.564
15	Screw, Cable Bracket to Body.....	7.568
16	Lockwasher, Cable Bracket to Body.....	7.568
17	Cable Assembly, Parking and Directional Light.....	7.568



PARKING AND DIRECTIONAL
LIGHT

FIGURE 7-11 — FRAZER PARKING AND DIRECTIONAL LIGHT - EXPLODED VIEW

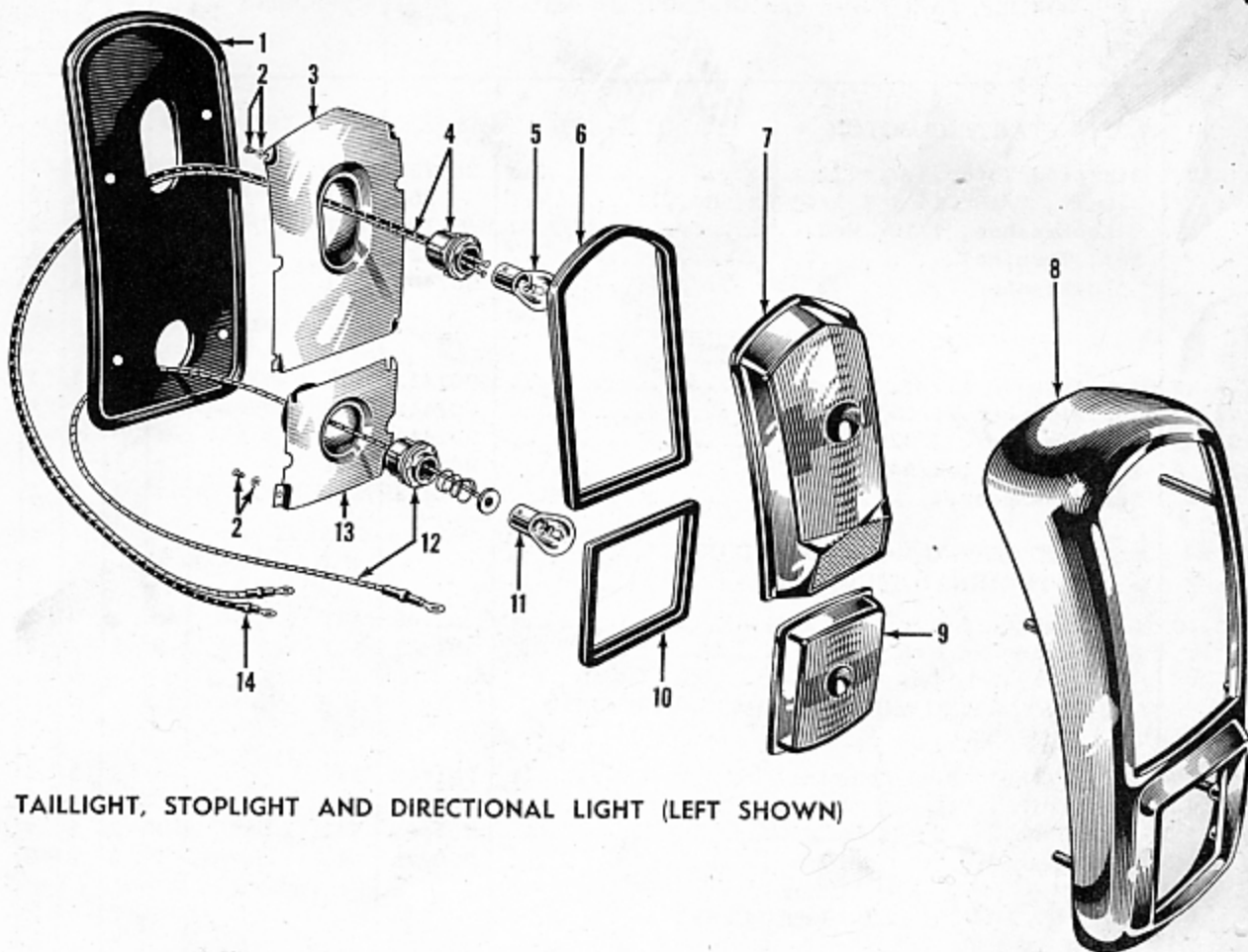
KEY	PART NAME	GROUP
1	Serviced Only in Parking Light Assembly.....	
2	Screw with L/W, Cable Bracket to Body.....	7.568
3	Bulb.....	7.564
4	Clamp, Lens.....	7.563
5	Gasket, Lens.....	7.563
6	Lens.....	7.563
7	Screw with L/W, Lens Clamp.....	7.563
8	Bezel, Lens.....	7.563
9	Screw, Lens Bezel.....	7.563
10	Sleeve, Cable.....	7.568
11	Cable Assembly.....	7.568



TAILLIGHT, STOPLIGHT AND DIRECTIONAL LIGHT (LEFT SHOWN)

FIGURE 7-12 — KAISER TAIL, STOP AND DIRECTIONAL LIGHT - EXPLODED VIEW

KEY	PART NAME	GROUP
1	Pad, Tail Light Mounting, Left.....	7.570
2	Screw, Housing Retainer.....	7.571
3	Lockwasher, Housing Retainer.....	7.571
4	Retainer, Housing.....	7.571
5	Housing.....	7.571
6	Bulb.....	7.574
7	Gasket, Lens.....	7.572
8	Lens, Left.....	7.572
9	Body Assembly, Left.....	7.571
10	Retainer, Reflex Lens.....	7.572
11	Gasket, Reflex Lens.....	7.572
12	Lens, Reflex.....	7.572
13	Screw, Reflex Lens Retainer.....	7.572
14	Sleeve, Cable Terminal.....	7.576
15	Cable Assembly, Left.....	7.576



TAILLIGHT, STOPLIGHT AND DIRECTIONAL LIGHT (LEFT SHOWN)

FIGURE 7-13 — FRAZER TAIL, STOP AND DIRECTIONAL LIGHT - EXPLODED VIEW

KEY	PART NAME	GROUP
1	Pad, Mounting.....	7.570
2	Screw with L/W, Socket Plate.....	7.576
3	Plate, Tail and Stop Light Socket.....	7.576
4	Cable Assembly, Tail and Stop Light.....	7.576
5	Bulb, Tail and Stop Light.....	7.574
6	Gasket, Tail and Stop Light Lens.....	7.572
7	Lens, Tail and Stop Light.....	7.572
8	Serviced Only in Tail Light Assembly.....	
9	Lens, Directional Light.....	7.572
10	Gasket, Directional Light Lens.....	7.572
11	Bulb, Directional Light.....	7.574
12	Cable Assembly, Directional Light.....	7.576
13	Plate, Directional Light Socket.....	7.576
14	Sleeve, Tail, Stop and Directional Cable.....	7.576

ELECTRICAL

FIGURE NUMBER	GROUP, PART NAME and DESCRIPTION	PART NUMBER	MODELS	BODY STYLES					
				4-DR. SEDAN	CONV.	VIRGINIAN	UTILITY	TAXICAB	
				1	2	3	5	6	
7.222 - STARTING MOTOR									
1-1-128	Starting Motor.....	204753	All	1	1	1	1	1	
	Bolt, 7/16"-14 x 1 1/4" Hx. Hd.....	265	All	2	2	2	2	2	
	Lockwasher, 7/16" Med.....	193	All	2	2	2	2	2	
	Nut, Terminal.....	201426	All	1	1	1	1	1	
	Lockwasher.....	201402	All	1	1	1	1	1	
7.224 - STARTING MOTOR ARMATURE									
7-3-23	Armature.....	201412	All	1	1	1	1	1	
7-3-8	Thrustwasher, 1/64" Thick.....	201415	All	*	*	*	*	*	
7-3-8	Thrustwasher, 1/32" Thick.....	201414	All	*	*	*	*	*	
7-3-8	Thrustwasher, 3/64" Thick.....	201416	All	*	*	*	*	*	
7-3-7	Thrustwasher.....	201413	All	1	1	1	1	1	
7.228 - STARTING MOTOR FIELD COIL TERMINAL STUD									
7-3-12	Lockwasher, 5/16".....	201402	All	2	2	2	2	2	
7-3-13	Nut, 5/16"-24 Hx.....	201401	All	2	2	2	2	2	
7.234 - STARTING MOTOR COMMUTATOR END PLATE									
7-3-4	Plate (incl. Brush Spring).....	201403	All	1	1	1	1	1	
7-3-10	Dowel Pin.....	201404	All	2	2	2	2	2	
7-3-21	Thru Bolt.....	201405	All	2	2	2	2	2	
7-3-22	Lockwasher, 1/4".....	200975	All	2	2	2	2	2	
7.236 - STARTING MOTOR BRUSH SET									
7-3-6 †	Brush Set.....	201406	All	1	1	1	1	1	
7-3-11	Screw, No. 10-32 x 7/16" Fl. Hd. Sl.....	201408	All	2	2	2	2	2	
7-3-5	Spring.....	201407	All	4	4	4	4	4	
7.238 - STARTING MOTOR COVER BAND									
7-3-3	Band.....	201409	All	1	1	1	1	1	
7-3-2	Screw, No. 10-32 x 1 1/2" Rd. Hd. Sl.....	201410	All	1	1	1	1	1	
7-3-1	Nut, No. 10-32 Sq.....	201411	All	1	1	1	1	1	
7.240 - STARTING MOTOR CENTER PLATE									
7-3-20	Plate (incl. Bearing).....	201417	All	1	1	1	1	1	
7.242 - STARTING MOTOR DRIVE HOUSING									
7-3-18	Housing.....	201421	All	1	1	1	1	1	
7-3-19	Dowel Pin.....	201422	All	1	1	1	1	1	
7-3-17	Bearing.....	201423	All	1	1	1	1	1	
7.244 - STARTING MOTOR BENDIX DRIVE									
7-3-24	Bendix Drive Complete.....	201418	All	1	1	1	1	1	
7-3-25	Key, 5/32" x 5/8" Woodruff No. 6.....	201420	All	1	1	1	1	1	
7-3-27	Spring.....	201419	All	1	1	1	1	1	
7-3-26	Plate, Spring Anchor.....	206272	All	2	2	2	2	2	

* As required † For Component Parts SEE Group 60.7

ELECTRICAL

7

FIGURE NUMBER	GROUP, PART NAME and DESCRIPTION	PART NUMBER	MODELS	BODY STYLES					
				4-DR. SEDAN	CONV.	VIRGINIAN	UTILITY	TAXICAB	
				1	2	3	5	6	
	7.244 - STARTING MOTOR BENDIX DRIVE (Cont'd)								
7-3-28	Lock Ring.....	206273	All	1	1	1	1	1	
	7.265 - STARTING MOTOR SOLENOID								
7-3-16	Solenoid.....	204752	All	1	1	1	1	1	
	Screw, No. 12-14 x 5/8" Pan. Hd. S1.....	497	All	2	2	2	2	2	
7-3-14	Nut, Terminal, 5/16"-24 Hx.....	201426	All	2	2	2	2	2	
7-3-15	Lockwasher, 5/16".....	201402	All	2	2	2	2	2	
	Nut, Terminal, No. 10-32 Hx.....	201450	All	1	1	1	1	1	
	Lockwasher, No. 10.....	200978	All	1	1	1	1	1	
7-3-9	Cable (to Starter Motor).....	204858	All	1	1	1	1	1	
	7.270 - STARTING SWITCH (PUSH BUTTON)								
19-1-23	Switch (on Inst. Board).....	201464	All	1	1	1	1	1	
	Lockwasher, 5/8" Int. Tooth.....	308	All	1	1	1	1	1	
	Nut, Inner.....	201465	All	1	1	1	1	1	
	Nut, Outer (Chrome).....	201927	All	1	1	1	1	1	
	Screw, Terminal, No. 8-32 x 1/2" Rd. Hd. Cr. Rec.....	357	All	2	2	2	2	2	
	Lockwasher, No. 8.....	201356	All	2	2	2	2	2	
	7.300 - DISTRIBUTOR								
1-1-9	Distributor.....	204757	All	1	1	1	1	1	
	Bolt with L/W, 1/4"-20 x 5/8" Hx. Hd.....	206334	All	1	1	1	1	1	
	Flatwasher, 1/4" Sm.....	243	All	1	1	1	1	1	
7-4-23	Screw, Terminal.....	200977	All	1	1	1	1	1	
7-4-24	Lockwasher.....	200978	All	1	1	1	1	1	
	7.302 - DISTRIBUTOR CAP								
7-4-1	Cap.....	200970	All	1	1	1	1	1	
	Plug (Rubber).....	200971	All	1	1	1	1	1	
7-3-36	Base.....	200937	All	1	1	1	1	1	
7-4-41	Bushing.....	200938	All	2	2	2	2	2	
7-4-45	Oiler.....	200941	All	1	1	1	1	1	
	Wick.....	200940	All	1	1	1	1	1	
	7.308 - DISTRIBUTOR ADVANCE ARM								
7-4-40	Arm.....	200972	All	1	1	1	1	1	
7-4-37	Bolt, 1/4"-20 x 5/8" Hx. Hd.....	200973	All	1	1	1	1	1	
7-4-39	Flatwasher, 1/4".....	200974	All	1	1	1	1	1	
7-4-38	Lockwasher, 1/4".....	200975	All	1	1	1	1	1	
	7.310 - DISTRIBUTOR BREAKER PLATE								
7-4-22	Plate Complete.....	204758	All	1	1	1	1	1	
7-4-15	Screw, No. 10-32 x 5/16" Fil. Hd. S1.....	200950	All	2	2	2	2	2	
7-4-16	Lockwasher, No. 10.....	200951	All	2	2	2	2	2	
7-4-17	Clamp, Upper Plate.....	200952	All	2	2	2	2	2	
7-4-46	Lead (incl. Terminals).....	204030	All	1	1	1	1	1	
7-4-11	Lead (incl. Terminals).....	200961	All	1	1	1	1	1	
7-4-10	Screw, No. 6-32 x 5/32" Fil. Hd. S1.....	200962	All	3	3	3	3	3	

ELECTRICAL

FIGURE NUMBER	GROUP, PART NAME and DESCRIPTION	PART NUMBER	MODELS	BODY STYLES					
				4-DR. SEDAN	CONV.	VIRGINIAN	UTILITY	TAXICAB	
				1	2	3	5	6	
	7.310 - DISTRIBUTOR BREAKER PLATE (Cont'd.)								
7-4-9	Lockwasher, No. 6.....	204031	All	3	3	3	3	3	
7-4-25	Cover, Terminal Slot.....	200964	All	1	1	1	1	1	
	7.316 - DISTRIBUTOR BREAKER POINT SET								
7-4-19 †	Point Set.....	200953	All	1	1	1	1	1	
7-4-20	Screw, No. 8-32 x 3/16" Fil. Hd. Sl.....	200955	All	1	1	1	1	1	
7-4-21	Lockwasher, No. 8.....	200956	All	1	1	1	1	1	
7-4-49	Clip.....	200954	All	1	1	1	1	1	
7-4-48	Screw, No. 6-32 x 5/16" Rd. Hd. Sl.....	200958	All	1	1	1	1	1	
7-4-47	Flatwasher, No. 6.....	200957	All	1	1	1	1	1	
	7.318 - DISTRIBUTOR CONDENSER								
7-4-18	Condenser.....	200959	All	1	1	1	1	1	
7-4-13	Screw, No. 6-32 x 5/32" Fil. Hd. Sl.....	200962	All	1	1	1	1	1	
7-4-14	Lockwasher.....	204031	All	1	1	1	1	1	
	7.324 - DISTRIBUTOR DRIVE SHAFT								
7-4-32	Shaft.....	204759	All	1	1	1	1	1	
7-4-31	Governor Weight.....	204760	All	2	2	2	2	2	
7-4-33	Thrustwasher, Upper.....	200944	All	1	1	1	1	1	
7-4-42	Thrustwasher, Lower.....	200943	All	1	1	1	1	1	
7-4-30	Spring Set, Governor Weight.....	204761	All	1	1	1	1	1	
	Spring, Anti-Rattle.....	200948	All	1	1	1	1	1	
	7.330 - DISTRIBUTOR DRIVE SHAFT COUPLING								
7-4-44	Coupling.....	204762	All	1	1	1	1	1	
7-4-43	Pin.....	200946	All	1	1	1	1	1	
	7.332 - DISTRIBUTOR CAM								
7-4-28	Cam and Shaft.....	204763	All	1	1	1	1	1	
7-4-29	Spacer.....	200966	All	1	1	1	1	1	
7-4-27	Snap Ring.....	200967	All	1	1	1	1	1	
7-4-26	Felt.....	200968	All	1	1	1	1	1	
7-4-12	Rotor.....	200969	All	1	1	1	1	1	
	7.334 - DISTRIBUTOR VACUUM CHAMBER								
7-4-8	Chamber.....	200976	All	1	1	1	1	1	
7-4-5	Screw, No. 10-32 x 1/4" Fil. Hd. Sl.....	200977	All	1	1	1	1	1	
7-4-7	Lockwasher, No. 10.....	200951	All	1	1	1	1	1	
	7.338 - DISTRIBUTOR VACUUM CHAMBER SPRING								
7-4-6	Spring (Black).....	204764	All	1	1	1	1	1	
7-4-4	Washer, .010.....	202744	All	*	*	*	*	*	
7-4-4	Washer, .032.....	202743	All	*	*	*	*	*	
7-4-4	Washer, .065.....	202745	All	*	*	*	*	*	
7-4-2	Plug.....	202746	All	1	1	1	1	1	
7-4-3	Gasket, .031.....	202747	All	*	*	*	*	*	
7-4-3	Gasket, .072.....	202748	All	*	*	*	*	*	

* As required † For Component Parts SEE Group 60.7

ELECTRICAL

7

FIGURE NUMBER	GROUP, PART NAME and DESCRIPTION	PART NUMBER	MODELS	BODY STYLES						
				4-DR. SEDAN	CONV.	VIRGINIAN	UTILITY	TAXICAB		
				1	2	3	5	6		
	7.340 - DISTRIBUTOR VACUUM CHAMBER TUBE									
	Tube (Single Manifold).....	200794	491,495	1			1			
3-3-16	Tube (Dual Manifold).....	203386	All	1	1	1	1	1	1	
	Nut, 3/8"-24 Hx. 3/16" Inv. Fl. Tube.....	202142	All	2	2	2	2	2	2	
3-3-15	Elbow, 3/8"-24 x 1/8" Pipe 90° x 3/16" Inv. Fl. Tube.....	202126	All	1	1	1	1	1	1	
3-3-17	Connector, 3/8"-24 x 1/8" Pipe 3/16" Inv. Fl. Tube.....	202127	All	1	1	1	1	1	1	
	7.342 - DISTRIBUTOR MOUNTING ADAPTER									
1-1-2	Adapter.....	200162	All	1	1	1	1	1	1	
	Stud, 3/8"-16 x 1 3/8".....	200164	All	1	1	1	1	1	1	
	Lockwasher, 3/8" Med.....	192	All	1	1	1	1	1	1	
	Nut, 3/8"-16 Hx.....	204	All	1	1	1	1	1	1	
	7.344 - DISTRIBUTOR MAIN DRIVE SHAFT									
	Shaft and Coupling.....	200165	All	1	1	1	1	1	1	
	7.346 - IGNITION COIL									
1-1-3	Coil.....	204932	All	1	1	1	1	1	1	
	Bolt, 1/4"-28 x 5/8" Hx. Hd.....	260	All	2	2	2	2	2	2	
	Lockwasher, 1/4" Int. Ext. Tooth.....	400	All	2	2	2	2	2	2	
	Nut, 1/4"-28 Hx.....	261	All	2	2	2	2	2	2	
	Nut, Terminal, No. 10-32 Hx.....	202	All	2	2	2	2	2	2	
	Lockwasher, No. 10.....	254	All	2	2	2	2	2	2	
	Bracket, Mounting.....	200793	All	1	1	1	1	1	1	
	Bolt, 5/16"-18 x 1/2" Hx. Hd.....	322	All	2	2	2	2	2	2	
	Lockwasher, 5/16" Int. Tooth.....	200	All	2	2	2	2	2	2	
	7.350 - IGNITION SWITCH									
	Switch.....	204485	All	1	1	1	1	1	1	
	Screw with L/W, No. 10-24 x 1/4" Rd. Hd. Sl.	206335	All	1	1	1	1	1	1	
	Bezel (Chrome).....	205270	495,496	1	1					
	Bracket.....	204486	495,496	1	1					
	Screw, No. 10-24 x 3/8" Rd. Hd. Cr. Rec....	365	495,496	1	1					
	Lockwasher, No. 10 Ext. Tooth.....	294	495,496	1	1					
	Nut, No. 10-24 Hx.....	378	495,496	1	1					
	7.352 - IGNITION SWITCH LOCK CYLINDER AND KEY									
	Cylinder and Key.....	203885	All	1	1	1	1	1	1	
	Key, Blank, for Code No. K.F. 1001 to 1800...	203881	All	*	*	*	*	*	*	
	Key, Cut, Code No. K.F. 1001 to 1800.....	203879	All	*	*	*	*	*	*	
	Cylinder and Key Kit.....	203888	All	*	*	*	*	*	*	
	NOTE: Cylinder and Key Kit includes (1) Ignition Lock Cylinder, (2) Front Door Lock Cylinders and (3) Keys.									

* As required

ELECTRICAL

FIGURE NUMBER	GROUP, PART NAME and DESCRIPTION	PART NUMBER	MODELS	BODY STYLES				
				4-DR. SEDAN	CONV.	VIRGINIAN	UTILITY	TAXICAB
				1	2	3	5	6
7.360 - IGNITION CABLES								
7-1-8	Cable, Primary (Low Tension).....	200802	All	1	1	1	1	1
7-1-9	Cable, Secondary (High Tension).....	205325	All	1	1	1	1	1
7-1-7	Cable, No. 1 Spark Plug.....	200796	All	1	1	1	1	1
7-1-6	Cable, No. 2 Spark Plug.....	200797	All	1	1	1	1	1
7-1-5	Cable, No. 3 Spark Plug.....	200798	All	1	1	1	1	1
7-1-4	Cable, No. 4, 5 and 6 Spark Plug.....	200799	All	1	1	1	1	1
	Nipple.....	201171	All	8	8	8	8	8
	Sleeve.....	200998	All	*	*	*	*	*
60-27 †	Cable Set.....	206404	All	1	1	1	1	1
7.375 - SPARK PLUG								
1-1-16	Spark Plug (14 M.M.).....	201230	All	6	6	6	6	6
	Gasket (14 M.M.).....	202939	All	6	6	6	6	6
7.400 - GENERATOR								
1-1-32	Generator (35 Amp.).....	200170	All	1			1	
	Generator (45 Amp.).....	205747	491,492,496	1	1	1		1
	Bolt, 5/16"-24 x 1" Hx. Hd.....	210	All	2	2	2	2	2
	Locknut, 5/16"-24 Hx.....	326	All	2	2	2	2	2
7-5-15	Screw, Ground Terminal, No. 10-32 x 5/16" Rd. Hd. Sl.....	201427	All	1	1	1	1	1
	Lockwasher.....	200978	All	1	1	1	1	1
7.402 - GENERATOR ARMATURE								
7-5-32	Armature (35 Amp. Generator).....	201444	All	1			1	
	Armature (45 Amp. Generator).....	205851	491,492,496	1	1	1		1
7-5-12	Nut, Armature Terminal, No. 14-24 Hx.....	201344	All	1	1	1	1	1
7-5-11	Lockwasher, 1/4".....	200975	All	1	1	1	1	1
7-5-13	Nut, Field Terminal, No. 10-32 Hx.....	201431	All	1	1	1	1	1
7-5-14	Lockwasher, No. 10.....	200978	All	1	1	1	1	1
7.412 - GENERATOR COMMUTATOR END PLATE								
7-5-7	Plate (35 Amp. Generator).....	201432	All	1			1	
	Plate (45 Amp. Generator).....	205852	491,492,496	1	1	1		1
	Oiler (45 Amp. Generator).....	201446	491,492,496	1	1	1		1
7-5-10	Dowel Pin.....	201404	All	1	1	1	1	1
7-5-18	Thru Bolt (35 Amp. Generator).....	201433	All	1			1	
	Thru Bolt (45 Amp. Generator).....	205853	491,492,496	1	1	1		1
7-5-19	Lockwasher, 1/4" (35 Amp. Generator).....	200975	All	1			1	
	Lockwasher, 5/16" (45 Amp. Generator).....	201402	491,492,496	1	1	1		1
7-5-6	Bearing (35 Amp. Generator).....	201434	All	1			1	
	Bearing (45 Amp. Generator).....	205854	491,492,496	1	1	1		1
	Gasket (35 Amp. Generator).....	201442	All	1			1	
7-5-4	Retainer, Bearing (35 Amp. Generator).....	201435	All	1			1	
	Retainer, Bearing (45 Amp. Generator).....	205855	491,492,496	1	1	1		1
7-5-17	Screw, No. 8-32 x 5/16" Fil. Hd. Sl.....	201436	All	*	*	*	*	*
	Lockwasher, No. 8.....	201437	All	*	*	*	*	*
7-5-5	Gasket (35 Amp. Generator).....	201438	All	1			1	
	Gasket (45 Amp. Generator).....	205856	491,492,496	1	1	1		1

* As required † For Component Parts SEE Group 60.7

ELECTRICAL

7

FIGURE NUMBER	GROUP, PART NAME and DESCRIPTION	PART NUMBER	MODELS	BODY STYLES				
				4-DR. SEDAN	CONV.	VIRGINIAN	UTILITY	TAXICAB
				1	2	3	5	6
7.420 - GENERATOR BRUSH								
7-5-16 †	Brush Set (35 Amp. Generator).....	201440	All	1			1	
†	Brush Set (45 Amp. Generator).....	205857	491,492,496	1	1	1		1
7-5-9	Screw, No. 8-32 x 1/4" Rd. Hd. S1.....	201441	All	2	2	2	2	2
7-5-8	Lockwasher, No. 8.....	201437	All	2	2	2	2	2
7.426 - GENERATOR COVER BAND								
7-5-3	Band (35 Amp. Generator).....	201439	All	1			1	
	Band (45 Amp. Generator).....	205858	491,492,496	1	1	1		1
7-5-2	Screw, No. 10-32 x 1 1/2" Rd. Hd. S1.....	201410	All	1	1	1	1	1
7-5-1	Nut, No. 10-32 Sq.....	201411	All	1	1	1	1	1
7.428 - GENERATOR DRIVE END PLATE								
7-5-30	Plate (35 Amp. Generator).....	201445	All	1			1	
	Plate (45 Amp. Generator).....	205859	491,492,496	1	1	1		1
	Oiler.....	201446	All	1	1	1	1	1
7-5-29	Bearing.....	201447	All	1	1	1	1	1
7-5-26	Retainer (35 Amp. Generator).....	201448	All	2			2	
	Retainer (45 Amp. Generator).....	205860	491,492,496	1	1	1		1
	Gasket (45 Amp. Generator).....	205861	491,492,496	1	1	1		1
7-5-27	Seal.....	201451	All	2	2	2	2	2
7-5-28	Retainer (35 Amp. Generator).....	201452	All	2			2	
	Retainer, Inner (45 Amp. Generator).....	205862	491,492,496	1	1	1		1
	Retainer, Outer (45 Amp. Generator).....	205863	491,492,496	1	1	1		1
7-5-31	Screw, No. 10-32 x 7/8" Rd. Hd. S1.....	201449	All	3			3	
	Screw, No. 10-32 x 3/8" Rd. Hd. S1.....	205864	491,492,496	3	3	3		3
7-5-25	Lockwasher, No. 10.....	200978	All	3	3	3	3	3
7-5-24	Nut, No. 10-32 Hx.....	201450	All	3			3	
	Slinger.....	201443	All	1	1	1	1	1
7.434 - GENERATOR DRIVE PULLEY								
7-5-23	Pulley (35 Amp. Generator).....	201453	All	1			1	
	Pulley (45 Amp. Generator).....	205865	491,492,496	1	1	1		1
7-5-20	Key, 1/8" x 5/8" Woodruff No. 5.....	201454	All	1			1	
	Key, 5/32" x 5/8" Woodruff No. 6.....	201420	491,492,496	1	1	1		1
7-5-22	Lockwasher, 11/16".....	201456	All	1	1	1	1	1
7-5-21	Nut.....	201455	All	1	1	1	1	1
	Spacer (45 Amp. Generator).....	205866	491,492,496	1	1	1		1
7.460 - GENERATOR ADJUSTING LINK								
1-1-31	Link (35 Amp. Generator).....	200171	All	1			1	
	Link (45 Amp. Generator).....	205740	491,492,496	1	1	1		1
	Bolt, 5/16"-18 x 3/4" { to Generator }.....	183	All	1	1	1	1	1
	Hx. Hd. { to Generator }.....	300	All	1	1	1	1	1
	Flatwasher, 5/16" { to Generator }.....	240	All	1	1	1	1	1
	Lockwasher, 5/16" { to Generator }.....							
	Bolt, 3/8"-16 x 7/8" { to Water Pump }.....	268	All	1	1	1	1	1
	Hx. Hd. { to Water Pump }.....							
	Lockwasher, 3/8" Int. { to Water Pump }.....	201	All	1	1	1	1	1
	Tooth { to Water Pump }.....							
	Clip (35 Amp. Generator).....	200172	All	1			1	
	Clip (45 Amp. Generator).....	205741	491,492,496	1	1	1		1

† For Component Parts SEE Group 60.7

ELECTRICAL

7

FIGURE NUMBER	GROUP, PART NAME and DESCRIPTION	PART NUMBER	MODELS	BODY STYLES						
				4-DR. SEDAN	CONV.	VIRGINIAN	UTILITY	TAXICAB		
				1	2	3	5	6		
	7.465 - GENERATOR MOUNTING BRACKET									
1-1-33	Bracket (35 Amp. Generator).....	200173	All	1			1			
	Bracket (45 Amp. Generator).....	205742	491,492,496	1	1	1			1	
	Bolt, 3/8"-16 x 7/8" Hx. Hd.....	268	All	2	2	2	2	2	2	2
	Lockwasher, 3/8".....	192	All	2	2	2	2	2	2	2
	7.470 - GENERATOR VOLTAGE REGULATOR									
	Regulator (35 Amp. Generator).....	201343	All	1			1			
	Regulator (45 Amp. Generator).....	205748	491,492,496	1	1	1			1	
	Screw.....	497	All	3	3	3	3	3	3	3
	Screw, Terminal.....	266	All	3	3	3	3	3	3	3
	Lockwasher.....	259	All	3	3	3	3	3	3	3
7-1-27	Harness, Generator to Voltage Regulator.....	202727	All	1	1	1	1	1	1	1
	7.495 - AMMETER									
	NOTE: See Group 19.132									
	7.500 - STORAGE BATTERY									
	Battery, serviced at any Battery Service Station.									
	Bolt (11" Long).....	201348	All	2						
	Bolt (9 1/2" Long).....	205885	All	2	2	2	2	2	2	2
	Flatwasher, 3/8".....	247	All	2	2	2	2	2	2	2
	Wing Nut, 3/8"-16.....	269	All	2	2	2	2	2	2	2
	Retainer, up to Serial 491-16051, 492-29476, 495-13385, 496-8409.....	205176	All	1						
	Retainer, after Serial 491-16051, 492-29476, 495-13385, 496-8409.....	205886	All	1	1	1	1	1	1	1
	Support, up to Serial 491-16051, 492-29476, 495-13385, 496-8409.....	201349	All	1						
	Support, after Serial 491-16051, 492-29476, 495-13385, 496-8409.....	205887	All	1	1	1	1	1	1	1
	Bolt, 5/16"-24 x 7/8" Hx. Hd.....	270	All	4	4	4	4	4	4	4
	Flatwasher, 5/16".....	300	All	4	4	4	4	4	4	4
	Lockwasher, 5/16".....	240	All	4	4	4	4	4	4	4
	7.510 - BATTERY CABLES									
7-1-28	Cable, Battery Ground.....	204487	All	1	1	1	1	1	1	1
	Bolt, 5/16"-18 x 1 1/4" Sq. Hd.....	201345	All	1	1	1	1	1	1	1
	Nut, 5/16"-18 Hx.....	201346	All	1	1	1	1	1	1	1
	Bolt, 3/8"-24 x 1" Hx. Hd.....	327	All	1	1	1	1	1	1	1
	Lockwasher, 3/8" Int. Ext. Tooth.....	221	All	2	2	2	2	2	2	2
	Nut, 3/8"-24 Hx.....	188	All	1	1	1	1	1	1	1
7-1-26	Cable, Battery to Starter Solenoid.....	204488	All	1	1	1	1	1	1	1
	Bolt, 5/16"-18 x 1 1/4" Sq. Hd.....	201345	All	1	1	1	1	1	1	1
	Nut, 5/16"-18 Hx.....	201346	All	1	1	1	1	1	1	1
	Clip (on Steering Gear Housing).....	201353	All	1	1	1	1	1	1	1
	Lockwasher, 5/16" Med.....	240	All	1	1	1	1	1	1	1

ELECTRICAL

7

FIGURE NUMBER	GROUP, PART NAME and DESCRIPTION	PART NUMBER	MODELS	BODY STYLES						
				4-DR. SEDAN	CONV.	VIRGINIAN	UTILITY	TAXICAB		
				1	2	3	5	6		
	7.510 - BATTERY CABLES (Cont'd.)									
	Nut, 5/16"-24 Hx.....	189	All	1	1	1	1	1	1	
	7.520 - HORNS									
7-6-3	Horn, Right, High Pitch (incl. Brkt.).....	204546	All	1	1	1	1	1	1	
7-6-8	Horn, Left, Low Pitch (incl. Brkt.).....	204547	All	1	1	1	1	1	1	
7-6-5	Lockwasher, 1/4" Ext. Tooth... { to }.....	370	All	4	4	4	4	4	4	
7-6-6	Nut, 1/4"-28 Hx..... { Bracket }.....	261	All	4	4	4	4	4	4	
7-6-7	Bracket, Right.....	204548	All	1	1	1	1	1	1	
7-6-9	Bracket, Left.....	204549	All	1	1	1	1	1	1	
7-6-4	Spacer.....	204550	All	2	2	2	2	2	2	
	Bolt, 1/4"-20 x 5/8" Hx. Hd.....	257	All	4	4	4	4	4	4	
	Lockwasher, 1/4".....	370	All	4	4	4	4	4	4	
7-6-1	Screw, Terminal, No. 8-32 x 1/4" Rd. Hd. Cr. Rec.....	357	All	2	2	2	2	2	2	
7-6-2	Lockwasher, No. 8 Ext. Tooth.....	447	All	2	2	2	2	2	2	
	7.525 - HORN RELAY									
	Relay.....	201359	All	1	1	1	1	1	1	
	Screw, No. 10-12 x 3/8" Pan. Hd. Sl.....	377	All	2	2	2	2	2	2	
	Screw, Terminal, No. 8-32 x 1/4" Rd. Hd. Cr. Rec.....	357	All	4	4	4	4	4	4	
	Lockwasher, No. 8.....	201356	All	4	4	4	4	4	4	
7-1-29	Cable, Relay to Horn.....	204490	All	1	1	1	1	1	1	
	Sleeve, 9/64" I.D. x 1".....	200998	All	1	1	1	1	1	1	
	Sleeve, 3/16" I.D. x 1".....	200997	All	1	1	1	1	1	1	
	Sleeve, 15/64" I.D. x 1".....	200999	All	1	1	1	1	1	1	
	Grommet (in Left Rad. Shroud Panel).....	205787	All	1	1	1	1	1	1	
	Clip (on Hood Latch Support Plate).....	205359	All	2	2	2	2	2	2	
	7.531 - HORN MEDALLION (ON STEERING WHEEL)									
	NOTE: Medallion Complete, includes Medallion, Retainer, Plate and Lock Ring.									
7-7-25	Medallion Complete (L.H.D.).....	205184	491	1				1	1	
7-7-24	Medallion Complete (L.H.D.) (attached with (2) Screws).....	205187	492	1						
	Screw, 1/4"-20 x 7/8" Pan. Hd. Cr. Rec.....	695	492	2						
	Retainer (Chrome) (L.H.D.) (attached with (4) Screws).....	205189	492	1	1	1	1			
	Screw, No. 6-32 x 1/2" Fl. Hd. Cr. Rec.....	568	492	4	4	4	4			
7-7-25	Medallion Complete (L.H.D.).....	205185	495	1						
7-8-20	Medallion Complete (L.H.D.).....	205186	496	1	1					
7-8-5	Screw, No. 8-32 x 3/4" Pan. Hd. Cr. Rec.....	762	496	4	4					
7-7-2	Medallion (L.H.D.).....	204491	491	1				1	1	
7-7-7	Medallion (L.H.D.) 3 3/4" Diam.....	204492	492	1						
	Medallion (L.H.D.) 5" Diam.....	205188	492	1	1	1	1			
7-7-2	Medallion (L.H.D.).....	204494	495, 496	1	1					
	Medallion (R.H.D.).....	202705	491	1						
	Medallion (R.H.D.).....	201971	495	1						
7-7-3	Plate, Retainer (L.H.D.).....	204499	491, 495	1						

ELECTRICAL

FIGURE NUMBER	GROUP, PART NAME and DESCRIPTION	PART NUMBER	MODELS	BODY STYLES						
				4-DR. SEDAN	CONV.	VIRGINIAN	UTILITY	TAXICAB		
				1	2	3	5	6		
	7.531 - HORN MEDALLION (ON STEERING WHEEL) (Cont'd.)									
7-7-8	Plate, Retainer (L.H.D.).....	204500	492,496	1	1					
7-7-4	Lock Ring.....	204530	All	1	1	1	1	1		
	7.533 - HORN BLOWING RING									
7-7-10	Ring (L.H.D.) (two Spokes).....	204531	491,492	1			1	1		
7-8-9	Ring (L.H.D.).....	204532	495,496	1	1					
7-7-13	Plate, Retaining (Steel).....	204533	All	1	1		1	1		
7-7-14	Screw with L/W.....	204534	All	3	3		3	3		
	Ring (L.H.D.) (three Spokes).....	202474	492	1	1	1	1			
	Screw, No. 10-32 x 1 13/32" Pan. Hd. Sl....	202475	492	3	3	3	3			
	Lockwasher, No. 10 Ext. Tooth.....	294	492	3	3	3	3			
	Nut, No. 10-32 Hx.....	202	492	3	3	3	3			
	Washer, Insulating, 17/64" x 1/2" x 1/32" (L.H.D.).....	202725	492	3	3	3	3			
	Sleeve (L.H.D.).....	202724	492	3	3	3	3			
	Plate (L.H.D.).....	202477	492	3	3	3	3			
7-7-19	Spring (L.H.D.).....	202476	All	*	*	*	*	*		
7-7-11	Plate, Grounding (Brass) (L.H.D.).....	205867	All	1	1	1	1	1		
7-7-12	Pad, Damper (Rubber) (L.H.D.).....	205868	All	1	1	1	1	1		
	Ring (R.H.D.).....	203463	491,495	1						
	Screw with L/W.....	201974	491,495	2						
7-7-16	Ring, Trim (Chrome) (L.H.D.).....	204535	491,492	1			1	1		
7-8-15	Ring, Trim (Chrome) (L.H.D.).....	204536	495,496	1	1					
7-7-17	Screw, No. 8-18 x 5/8" Pan. Hd. Cr. Rec. Tap.....	763	491	4			4	4		
7-8-16	Screw, No. 8-32 x 3/8" Fil. Hd. Sl.....	433	492,495,496	4	4					
	7.534 - HORN BLOWING RING CONTACT PLATE									
	Plate (R.H.D.).....	202275	491,495	1						
	Screw, No. 6-32 x 7/16" Pan. Hd. Sl.....	531	491,495	3						
	Washer, Insulating.....	202250	491,495	3						
	Insulator (R.H.D.).....	201973	491,495	3						
	Pad (R.H.D.).....	201978	491,495	1						
	7.536 - HORN BLOWING RING CABLE									
7-7-18	Cable (L.H.D.).....	202190	All	1	1	1	1	1		
	Terminal.....	201214	All	1	1	1	1	1		
	Sleeve.....	202478	All	1	1	1	1	1		
7-7-23	Screw, Terminal, No. 10-32 x 5/16" Rd. Hd. Sl.	266	All	1	1	1	1	1		
7-7-22	Lockwasher, No. 10 Int. Tooth.....	259	All	1	1	1	1	1		
	Cable (R.H.D.).....	201975	491,495	1						
	Retainer.....	202496	491,495	1						
	Terminal.....	201214	491,495	1						
	Seal (at Lower End of Steering Column) (R.H.D.).....	203826	491,495	1						
	Retainer.....	203827	491,495	1						
	Screw, No. 8-15 x 1 1/4" Rd. Hd. Cr. Rec. Tap.....	764	491,495	2						

* As required

ELECTRICAL

7

FIGURE NUMBER	GROUP, PART NAME and DESCRIPTION	PART NUMBER	MODELS	BODY STYLES					
				4-DR. SEDAN	CONV.	VIRGINIAN	UTILITY	TAXICAB	
				1	2	3	5	6	
	7.540 - HEADLIGHT								
	Headlight (L.H.D.).....	204537	All	2	2	2	2	2	
	Headlight (R.H.D.).....	204538	491,495	2					
	Screw, No. 10-12 x 1/2" Pan. Hd. Tap.....	277	All	10	10	10	10	10	
	Lockwasher, No. 10 Ext. Tooth.....	294	All	10	10	10	10	10	
7-9-10	Gasket (to Fender).....	200806	All	2	2	2	2	2	
7-9-1	Door.....	200807	All	2	2	2	2	2	
	Screw, No. 10-32 x 1/2" Oval Hd.....	200808	All	2	2	2	2	2	
7-9-3	Sealed Beam Unit (L.H.D.).....	200810	All	2	2	2	2	2	
	Sealed Beam Unit (R.H.D.).....	203829	491,495	2					
7-9-5	Seat (incl. Screws).....	200811	All	2	2	2	2	2	
7-9-14	Spring.....	200813	All	4	4	4	4	4	
7-9-2	Retaining Ring.....	200812	All	2	2	2	2	2	
7-9-4	Screw, No. 8-32 x 5/16" Fil. Hd. Sl.....	201436	All	6	6	6	6	6	
7-9-6	Screw, Beam Adjusting.....	200814	All	4	4	4	4	4	
7-9-7	Nut, 1/4"-28.....	200815	All	4	4	4	4	4	
	7.546 - HEADLIGHT CABLE								
7-9-9	Cable.....	204539	All	2	2	2	2	2	
7-9-11	Sleeve, 9/64" I.D. x 1".....	200998	All	*	*	*	*	*	
7-9-13	Connector.....	200862	All	2	2	2	2	2	
	Terminal, Connector.....	200861	All	6	6	6	6	6	
7-9-12	Screw, Ground.....	202722	All	2	2	2	2	2	
	Grommet, Rt. and Lt. Splash Shield.....	206336	All	2	2	2	2	2	
	7.550 - HEADLIGHT CABLE TERMINAL BLOCK								
	Block (on Rt. Rad. Shroud) (4 Post).....	204540	All	1	1	1	1	1	
	Block (on Lt. Rad. Shroud) (5 Post).....	204541	All	1	1	1	1	1	
	Screw, No. 10-12 x 3/8" Pan. Hd. Tap.....	377	All	4	4	4	4	4	
	Nut, Terminal, No. 10-32 Hx.....	202	All	*	*	*	*	*	
	Lockwasher, No. 10 Med.....	254	All	*	*	*	*	*	
	7.552 - HEADLIGHT CABLE TERMINAL BLOCK HARNESS								
	Harness.....	204542	491	1			1	1	
7-2-3	Harness.....	204543	492,495,496		1	1	1		
	Sleeve, 9/64" I.D. x 1".....	200998	All	*	*	*	*	*	
	7.553 - HEADLIGHT SWITCH								
	Switch.....	203830	All	1	1	1	1	1	
	Nut.....	203625	All	1	1	1	1	1	
	Nut, Terminal, No. 10-32 Hx.....	202	All	2	2	2	2	2	
	Lockwasher, No. 10 Int. Tooth.....	259	All	2	2	2	2	2	
19-1-2	Knob (Plastic) (L.H.D.).....	203626	491,492	1	1	1	1	1	
19-2-2	Knob (Chrome) (L.H.D.).....	205326	495,496	1	1				
	Spacer.....	204544	495,496	1	1				
	Knob (Chrome) (R.H.D.).....	203627	491,495	1					
	7.554 - HEADLIGHT DIMMER SWITCH								
	Switch.....	204545	All	1	1	1	1	1	
	Bolt, 1/4"-20 x 3/8" Rd. Hd. Sl.....	307	All	2	2	2	2	2	

* As required

ELECTRICAL

FIGURE NUMBER	GROUP, PART NAME and DESCRIPTION	PART NUMBER	MODELS	BODY STYLES					
				4-DR. SEDAN	CONV.	VIRGINIAN	UTILITY	TAMICAB	
				1	2	3	5	6	
	7.554 - HEADLIGHT DIMMER SWITCH (Cont'd.)								
	Lockwasher, 1/4" Int. Tooth.....	275	All	2	2	2	2	2	
	Screw, Terminal, No. 8-32 x 1/4" Rd. Hd. Cr. Rec.....	357	All	3	3	3	3	3	
	Lockwasher, No. 8.....	201356	All	3	3	3	3	3	
	Grommet (Black).....	202086	All	1	1	1	1	1	
	Grommet (Emblem Blue).....	205044	492,495,496	1		1			
	Grommet (Maroon).....	205045	492,495,496	1					
	Grommet (Hickory Brown).....	205046	All	1	1	1	1	1	
	Grommet (Crystal Green).....	205047	All	1	1	1	1	1	
	Grommet (Solar Gray).....	205048	All	1	1	1	1	1	
	Grommet (Teal Blue).....	205049	492,495,496	1		1			
	7.556 - HEADLIGHT BEAM INDICATOR LIGHT SOCKET								
	Socket.....	200993	All	1	1	1	1	1	
	Spring.....	200995	All	1	1	1	1	1	
	Bushing.....	200994	All	1	1	1	1	1	
	Terminal.....	200992	All	1	1	1	1	1	
	Bulb, Mazda No. 51.....	201462	All	1	1	1	1	1	
	7.560 - PARKING LIGHT								
	Light, Parking.....	204565	491	2			2	2	
	Light, Parking and Directional.....	204566	492	2	2	2	2		
	Lockwasher, No. 10 Int. Tooth.....	292	491,492	6	6	6	6	6	
	Nut, No. 10-32 Hx.....	202	491,492	6	6	6	6	6	
7-10-2	Pad (to Grille Housing).....	204567	491,492	2	2	2	2	2	
	Light, Parking and Directional, Right.....	204563	495,496	1	1				
	Light, Parking and Directional, Left.....	204564	495,496	1	1				
	Screw with L/W, No. 10-32 x 3/8" Hx. Hd....	206339	495,496	12	12				
7-10-1	Housing, Right (Chrome) (in Grille).....	204568	491,492	1	1	1	1	1	
7-10-1	Housing, Left (Chrome) (in Grille).....	204569	491,492	1	1	1	1	1	
	Screw, No. 10-12 x 5/8" Rd. Cr. Rec. Tap.....	622	491,492	*	*	*	*	*	
	Flatwasher, No. 10.....	248	491,492	*	*	*	*	*	
	Speednut.....	204380	491,492	*	*	*	*	*	
	Screw, No. 10-32 x 1/2" Hx. Hd.....	694	491,492	10	10	10	10	10	
	Flatwasher, No. 10.....	248	491,492	10	10	10	10	10	
	Lockwasher, No. 10 Ext. Tooth.....	294	491,492	10	10	10	10	10	
	Nut, No. 10-32 Hx.....	202	491,492	10	10	10	10	10	
6-2-32	Anti-Squeak.....	205327	491,492	2	2	2	2	2	
6-2-30	Anti-Squeak (to Upper Grille Bar).....	205328	491,492	2	2	2	2	2	
	7.561 - PARKING LIGHT BAFFLE								
6-2-43	Baffle, Right.....	205566	491,492	1	1	1	1	1	
	Baffle, Left.....	205567	491,492	1	1	1	1	1	
	Screw, No. 10-12 x 5/8" Rd. Hd. Cr. Rec. Tap.....	622	491,492	4	4	4	4	4	
	Speednut.....	205663	491,492	4	4	4	4	4	
	Seal (18 Ft. Roll).....	206188	491,492	*	*	*	*	*	

* As required.

ELECTRICAL

7

FIGURE NUMBER	GROUP, PART NAME and DESCRIPTION	PART NUMBER	MODELS	BODY STYLES					
				4-DR. SEDAN	CONV.	VIRGINIAN	UTILITY	TAMICAB	
				1	2	3	5	6	
7.561 - PARKING LIGHT BAFFLE (Cont'd.)									
6-2-40	Seal (9 1/4" Long) (cut from 206188).....	{ to Shroud }.....	205664	491,492	4	4	4	4	4
	Screw, No. 10-24 x 7/16" Rd. Hd. Cr. Rec.....	{ to Grille }.....	706	491,492	2	2	2	2	2
	Lockwasher, No. 10 Ext. Tooth.....	{ Bar }.....	294	491,492	2	2	2	2	2
6-2-39	Anti-Squeak (to Fender and Shroud).....		205665	491,492	4	4	4	4	4
7.563 - PARKING LIGHT LENS									
7-10-7	Lens.....		204575	491,492	2	2	2	2	2
7-10-12	Retainer.....		204577	491,492	8	8	8	8	8
7-10-6	Gasket.....		204576	491,492	2	2	2	2	2
7-10-10	Screw, No. 6-32 x 1/4" Rd. Hd. Cr. Rec.....		671	491,492	8	8	8	8	8
7-10-11	Lockwasher, No. 6.....		518	491,492	8	8	8	8	8
7-10-8	Bezel (Door).....		204578	491,492	2	2	2	2	2
7-10-9	Screw, No. 6-32 x 9/16" Oval Hd. Cr. Rec...		670	491,492	4	4	4	4	4
7-11-6	Lens.....		204570	495,496	2	2			
7-11-4	Clamp.....		204574	495,496	4	4			
7-11-7	Screw with L/W.....		205405	495,496	8	8			
7-11-5	Gasket.....		204571	495,496	2	2			
7-11-8	Bezel.....		204572	495,496	2	2			
7-11-9	Screw.....		204573	495,496	4	4			
7.564 - PARKING LIGHT BULB									
7-10-5	Bulb (Parking) Mazda No. 63.....		201600	491	1			1	1
7-10-14	Bulb (Parking and Directional) Mazda No. 1158		204579	492,495,496	2	2	2	2	
7.568 - PARKING LIGHT CABLE									
7-10-4	Cable (incl. Socket and Brkt.).....		204582	491	2			2	2
7-10-17	Cable (incl. Socket and Brkt.).....		204583	492	2	2	2	2	
7-10-15	Screw, No. 10-32 x 5/16" Rd. Hd. Sl.....		266	491,492	4	4	4	4	4
7-10-16	Lockwasher, No. 10 Ext. Tooth.....		294	491,492	4	4	4	4	4
7-11-11	Cable (incl. Socket and Brkt.).....		204580	495,496	2	2			
7-11-2	Screw with L/W.....		205404	495,496	4	4			
7-10-13	Sleeve.....		200998	All	*	*	*	*	*
7.570 - TAIL, STOP AND DIRECTIONAL LIGHT									
	Light, Right.....		204584	491,492	1	1	1	1	1
	Light, Left.....		204585	491,492	1	1	1	1	1
	Stud, 1/4"-20 x 1".....		205500	491,492	10	10	10	10	10
	Lockwasher, 1/4".....		370	491,492	10	10	10	10	10
	Nut, 1/4"-20 Hx.....		203	491,492	10	10	10	10	10
	Pad, Right.....		204603	491,492	1	1	1	1	1
7-12-1	Pad, Left.....		204604	491,492	1	1	1	1	1
	Light, Right.....		204605	495,496	1	1			
	Light, Left.....		204606	495,496	1	1			
	Stud, No. 10-24 x 1 1/4".....		203517	495,496	8	8			
	Stud, No. 10-24 x 1 1/2".....		206003	495,496	2	2			
	Spacer, Right.....		206032	495,496	1	1			
	Spacer, Left.....		204607	495,496	1	1			
	Lockwasher, No. 10 Ext. Tooth.....		294	495,496	10	10			

*As required

ELECTRICAL

FIGURE NUMBER	GROUP, PART NAME and DESCRIPTION	PART NUMBER	MODELS	BODY STYLES						
				4-DR. SEDAN	CONV.	VIRGINIAN	UTILITY	TAXICAB		
				1	2	3	5	6		
	7.570 - TAIL, STOP AND DIRECTIONAL LIGHT (Cont'd)									
	Nut, No. 10-24 Hx.....	378	495,496	10	10					
7-13-1	Pad, Right.....	204608	495,496	1	1					
	Pad, Left.....	204609	495,496	1	1					
	7.571 - TAIL LIGHT BODY									
	Body, Right (incl. Mtg. Studs).....	204586	491,492	1	1	1	1	1		
7-12-9	Body, Left (incl. Mtg. Studs).....	204587	491,492	1	1	1	1	1		
7-12-5	Housing.....	204523	491,492	2	2	2	2	2		
7-12-4	Retainer.....	204524	491,492	6	6	6	6	6		
7-12-2	Screw, No. 8-32 x 1/4" Rd. Hd. Sl.....	310	491,492	6	6	6	6	6		
7-12-3	Lockwasher, No. 8 Ext. Tooth.....	447	491,492	6	6	6	6	6		
	7.572 - TAIL LIGHT LENS									
	Lens, Right.....	204525	491,492	1	1	1	1	1		
7-12-8	Lens, Left.....	204601	491,492	1	1	1	1	1		
7-12-7	Gasket.....	204602	491,492	2	2	2	2	2		
7-12-12	Lens, Reflex.....	204520	491,492	2	2	2	2	2		
7-12-11	Gasket.....	204521	491,492	2	2	2	2	2		
	Retainer (crimped to Housing).....	204522	491,492	2	2	2	2	2		
7-12-10	Retainer (attached with Screws).....	205753	491,492	2	2	2	2	2		
7-12-13	Screw, No. 8-32 x 5/16" Rd. Hd. Sl.....	251	491,492	4	4	4	4	4		
	Lens, Tail and Stop, Right.....	204610	495,496	1	1					
7-13-7	Lens, Tail and Stop, Left.....	204611	495,496	1	1					
7-13-6	Gasket.....	204613	495,496	4	4					
	Lens, Directional, Right.....	204614	495,496	1	1					
7-13-9	Lens, Directional, Left.....	204615	495,496	1	1					
7-13-10	Gasket.....	204617	495,496	4	4					
	7.574 - TAIL LIGHT BULB									
7-12-6	Bulb (Tail and Stop) Mazda No. 1158.....	204579	All	2	2	2	2	2		
7-13-11	Bulb (Directional) Mazda No. 1129.....	201360	495,496	2	2					
	7.576 - TAIL LIGHT CABLE									
7-1-20	Cable and Socket, Right.....	204618	491,492	1	1	1			1	
7-12-15	Cable and Socket, Left.....	204619	491,492	1	1	1			1	
7-2-18	Cable and Socket, Right (Tail, Stop and Directional).....	204621	495,496	1	1					
7-13-4	Cable and Socket, Left (Tail and Stop).....	204622	495,496	1	1					
7-13-12	Cable and Socket, Left (Directional).....	204623	495,496	1	1					
7-12-14	Sleeve, 9/64" I.D. x 1".....	200998	All	*	*	*			*	
	Plate, Socket, Right (Tail and Stop).....	205329	495,496	1	1					
7-13-3	Plate, Socket, Left (Tail and Stop).....	205330	495,496	1	1					
7-13-13	Plate, Socket (Directional).....	205331	495,496	2	2					
7-13-2	Screw with L/W.....	205403	495,496	16	16					
	Clip, Cable (at Trunk Lid Drain Trough).....	204620	All	6	6	6			6	
	7.578 - TAIL LIGHT CABLE JUNCTION BLOCK									
	Block (3 Post).....	201598	491,492	1	1	1			1	
	Block (4 Post).....	204540	495,496	1	1					

* As required

ELECTRICAL

7

FIGURE NUMBER	GROUP, PART NAME and DESCRIPTION	PART NUMBER	MODELS	BODY STYLES						
				4-DR. SEDAN	CONV.	VIRGINIAN	UTILITY	TAXICAB		
				1	2	3	5	6		
	7.578 - TAIL LIGHT CABLE JUNCTION BLOCK (Cont'd)									
	Screw, No. 12-11 x 1/2" Pan. Hd. Cr. Rec.	765	All	2	2	2			2	
	Tap.....	202	All	*	*	*			*	
	Nut, Terminal, No. 10-32 Hx.....	254	All	*	*	*			*	
	Lockwasher, No. 10.....									
	7.620 - DIRECTIONAL SIGNAL LIGHT SWITCH									
	Switch (incl. Hub) (L.H.D.).....	204551	492	1	1	1	1			
	Switch (incl. Hub) (L.H.D.).....	204552	495, 496	1	1					
	Terminal.....	201458	492	1	1	1	1			
	Terminal.....	201496	492	1	1	1	1			
	Sleeve, 5/32" I.D. x 1 1/2".....	201459	495, 496	1	1					
	Sleeve, 9/64" I.D. x 1".....	200998	492, 495, 496	*	*	*	*			
	Switch (incl. Lever) (Prime) (R.H.D.).....	206036	495	1						
	Screw, No. 10-32 x 5/16" Fil. Hd. Sl.....	258	495	2						
	Lockwasher, No. 10 Int. Tooth.....	259	495	2						
	7.626 - DIRECTIONAL SIGNAL LIGHT SWITCH LEVER									
	Lever (Starlight Pearl) (L.H.D.).....	204553	492	1	1	1	1			
	Lever (Starlight Pearl) (L.H.D.).....	204554	495	1						
	Lever (Starlight Pearl) (L.H.D.).....	204555	496	1	1					
	Lever (Dubonnet) (L.H.D.).....	204556	496	1	1					
	Lever (Blade Green) (L.H.D.).....	204557	496	1	1					
	Lever (Garden Green) (L.H.D.).....	204559	496	1	1					
	Lever (Teal Blue) (L.H.D.).....	205175	496	1	1					
	Lever (Wedgewood Blue Dark) (L.H.D.).....	205372	496	1	1					
	Hub (L.H.D.).....	206004	492, 495, 496	1	1	1	1			
	Lockwasher, 1/4" Med.....	190	492, 495, 496	1	1	1	1			
	Nut, 1/4"-20 Hx.....	203	492, 495, 496	1	1	1	1			
	Lever (Starlight Pearl) (R.H.D.).....	206037	495	1						
	Lockwasher, 1/4" Int. Tooth.....	275	495	1						
	Nut, 1/4"-20 Hx.....	203	495	1						
	7.630 - DIRECTIONAL SIGNAL LIGHT SWITCH CUT-OFF									
7-7-15	Pin (in Steering Wheel) (L.H.D.).....	204560	492, 495, 496	2	2	2	2			
	Cam (located on Steering Column) (R.H.D.)....	201399	495	1						
	Set Screw, No. 10-32 x 1/8" Soc. Hd.....	349	495	2						
	7.635 - DIRECTIONAL SIGNAL LIGHT FLASHER									
	Flasher.....	203831	492, 495, 496	1	1	1	1			
	Bracket.....	203832	492, 495, 496	1	1	1	1			
	Screw, No. 10-12 x 5/8" Rd. Hd. Cr. Rec.									
	Tap.....	622	492, 495, 496	1	1	1	1			
7-1-24	Connector.....	200862	492, 495, 496	1	1	1	1			
	Terminal.....	200861	492, 495, 496	3	3	3	3			
	7.637 - DIRECTIONAL INDICATOR LIGHT SOCKET									
	Socket.....	200521	492, 495, 496	2	2	2	2			

* As required

ELECTRICAL

FIGURE NUMBER	GROUP, PART NAME and DESCRIPTION	PART NUMBER	MODELS	BODY STYLES					
				4-DR. SEDAN	CONV.	VIRGINIAN	UTILITY	TAXICAB	
				1	2	3	5	6	
	7.637 - DIRECTIONAL INDICATOR LIGHT SOCKET (Cont'd)								
	Spring.....	200995	492,495,496	2	2	2	2		
	Bushing.....	200994	492,495,496	2	2	2	2		
	Terminal.....	200992	494,495,496	2	2	2	2		
	Bulb, Mazda No. 51.....	201462	492,495,496	2	2	2	2		
	7.640 - INSTRUMENT PANEL SWITCH								
	Switch.....	203833	All	1	1	1	1	1	
	Nut.....	203625	All	1	1	1	1	1	
	Screw, Terminal, No. 8-32 x 1/4" Rd. Hd. Cr. Rec.....	357	All	2	2	2	2	2	
	Lockwasher.....	201356	All	2	2	2	2	2	
19-1-2	Knob (Plastic) (L.H.D.).....	203628	491,492	1	1	1	1	1	
19-2-19	Knob (Chrome) (L.H.D.).....	204561	495,496	1	1				
	Knob (Chrome) (R.H.D.).....	203627	491,495	1					
	7.642 - INSTRUMENT PANEL WIRING JUNCTION BLOCK								
	Block (4 Post).....	204540	492,495,496	1	1	1	1		
	Screw, No. 10-12 x 3/8" Pan. Hd. Tap.....	377	492,495,496	2	2	2	2		
	Nut, Terminal, No. 10-32 Hx.....	202	492,495,496	4	4	4	4		
	Lockwasher, No. 10.....	254	492,495,496	4	4	4	4		
	7.643 - INSTRUMENT LIGHTS WIRING HARNESS								
7-1-23	Harness (L.H.D.).....	204581	491,492	1	1	1	1	1	
7-2-14	Harness (L.H.D.).....	205267	495,496	1	1				
	Socket.....	200993	All	*	*	*	*	*	
	Socket (Ignition Switch Light) (L.H.D.).....	205268	495,496	1	1				
	Spring.....	200995	All	*	*	*	*	*	
	Bushing.....	200994	All	*	*	*	*	*	
	Terminal.....	200992	All	*	*	*	*	*	
	Sleeve, 9/64" I.D. x 1".....	200998	495,496	1	1				
	Sleeve, 3/16" I.D. x 1".....	200997	495,496	1	1				
	Sleeve, 15/64" I.D. x 1".....	200999	All	1	1	1	1	1	
	Bulb, Mazda No. 55.....	201502	All	*	*	*	*	*	
	7.644 - COURTESY (OR MAP) LIGHT SWITCH								
	Switch (Inst. Board) (L.H.D.).....	203662	491,492	1	1	1	1	1	
	Switch (Inst. Board) (R.H.D.).....	203662	491,495	1					
	Nut.....	203625	491,492,495	1	1	1	1	1	
	Screw, Terminal, No. 8-32 x 1/4" Rd. Hd. Cr. Rec.....	357	491,492,495	2	2	2	2	2	
	Lockwasher.....	201356	491,492,495	2	2	2	2	2	
19-1-2	Knob (Plastic) (L.H.D.).....	203626	491,492	1	1	1	1	1	
	Knob (Chrome) (R.H.D.).....	203627	495	1					
	Switch (Inst. Board) (L.H.D.).....	200821	495,496	1	1				
	Screw, No. 8-32 x 1/4" Pan. Hd. Cr. Rec. (Chrome).....	600	495,496	2	2				
	Lockwasher, No. 8 Int. Tooth.....	273	495,496	2	2				
	Screw, Terminal, No. 8-32 x 1/4" Rd. Hd. Cr. Rec.....	357	495,496	2	2				

* As required

ELECTRICAL

7

FIGURE NUMBER	GROUP, PART NAME and DESCRIPTION	PART NUMBER	MODELS	BODY STYLES						
				4-DR. SEDAN	CONV.	VIRGINIAN	UTILITY	TAXICAB		
				1	2	3	5	6		
	7.644 - COURTESY (OR MAP) LIGHT SWITCH (Cont'd)									
	Lockwasher, No. 8 Int. Tooth.....	273	495,496	2	2					
	Switch, Automatic (in Door Pillar).....	204229	All	*				*	2	
	Screw, No. 6-18 x 3/8" Fl. Hd. Cr. Rec.....	510	All	*				*	4	
	Switch, Manual (on Front Seat Back).....	204779	492,496		1	1				
	Screw, No. 6-18 x 3/4" Oval Hd. Cr. Rec....	524	492,496		2	2				
	Stud, Dummy Knob Mounting.....	204562	491						1	
	Nut.....	203625	491						1	
	7.646 - COURTESY (OR MAP) LIGHT									
	Light Complete (L.H.D.).....	204692	491,492	1	1	1	1	1	1	
	Screw, No. 6-18 x 1/2" Oval Hd. Cr. Rec.									
	Tap.....	766	491,492	2	2	2	2	2	2	
	Housing and Socket (L.H.D.).....	204693	491,492	1	1	1	1	1	1	
	Lens (L.H.D.).....	204694	491,492	1	1	1	1	1	1	
	Cable (6" Long) (L.H.D.).....	206046	491,492	1	1	1	1	1	1	
	Cable (32" Long) (L.H.D.).....	205334	491,492	1	1	1	1	1	1	
	Terminal.....	200992	491,492	1	1	1	1	1	1	
	Terminal.....	201496	491,492	1	1	1	1	1	1	
	Spring.....	200860	491,492	1	1	1	1	1	1	
30-22-33	Lens and Bezel (L.H.D.).....	202657	495,496	2	2					
	Lens and Bezel (R.H.D.).....	202657	491,495	2						
	Light (Seat Back).....	206024	492,496		2	2				
	Lockwasher, No. 8 Ext. Tooth.....	447	492,496		4	4				
	Nut, No. 8-32 Hx.....	272	492,496		4	4				
	Bulb, Mazda No. 81.....	202658	All	*	*	*	*	*	*	
	7.648 - COURTESY (OR MAP) LIGHT WIRING HARNESS									
	Harness, Switch Wiring (L.H.D.).....	204778	492		1	1				
	Harness (L.H.D.).....	205509	495	1						
7-2-24	Harness (L.H.D.).....	204624	496	1	1					
	Socket.....	206331	496	2	2					
	Spring.....	200860	495,496	2	2					
	Terminal.....	201214	492,496		*	4				
	Terminal.....	200996	496		2					
	Terminal.....	200992	495,496	2	2					
	Sleeve, 9/64" I.D. x 1".....	200998	495	2						
	Sleeve, 3/16" I.D. x 1".....	200997	495,496	*	3					
	7.649 - COURTESY LIGHT SOCKET (SEAT BACK)									
	Socket.....	206028	492,496		2	2				
	Spring.....	200860	492,496		2	2				
	Terminal.....	200992	492,496		2	2				
	7.650 - STOP LIGHT SWITCH									
	Switch.....	201466	All	1	1	1	1	1	1	
	7.652 - CIGAR LIGHTER									
19-1-12	Lighter (Plastic Knob, 1 1/2" Clamp).....	203836	491,492	1	1	1	1	1	1	

* As required

ELECTRICAL

FIGURE NUMBER	GROUP, PART NAME and DESCRIPTION	PART NUMBER	MODELS	BODY STYLES				
				4-DR. SEDAN	CONV.	VIRGINIAN	UTILITY	TAXICAB
				1	2	3	5	6
	7.652 - CIGAR LIGHTER (Cont'd)							
	Lighter (Chrome Knob, 1 3/4" Clamp).....	205272	492	1	1	1	1	
	Lighter (Chrome Knob, Concave, 1 3/4" Clamp).	201503	492	1	1	1		
	Lighter (Chrome Knob, Concave, 1 3/4" Clamp with Terminal Tab).....	206064	492	1	1	1		
	Lighter (Chrome Knob, lettered, 1 3/4" Clamp)	205271	495,496	1	1			
	Lighter (Chrome Knob, 1 1/2" Clamp).....	203837	495,496	1	1			
	Lighter (Chrome Knob, 1 1/2" Clamp).....	205273	495,496	1	1			
	Lighter (Chrome Knob, Concave, 1 1/2" Clamp).	206063	495,496	1	1			
	Nut, Terminal, No. 8-32 Hx.....	272	All	1	1	1	1	1
	Lockwasher, No. 8 Int. Tooth.....	273	All	1	1	1	1	1
	Knob and Element (Plastic).....	203737	491,492	1	1	1	1	1
	Knob and Element (Chrome Knob, Plain).....	203738	495,496	1	1			
19-2-7	Knob and Element (Chrome Knob, lettered).....	205274	495,496	1	1			
	Knob and Element (Chrome Knob, Concave).....	201505	492,495,496	1	1	1		
	Base and Clamp (1 1/2" Clamp).....	203839	All	1	1	1	1	1
	Base and Clamp (1 3/4" Clamp less Terminal Tab).....	201504	492,495,496	1	1	1		
	Base and Clamp (1 3/4" Clamp with Terminal Tab).....	205585	492	1	1	1		
	Element.....	202042	All	1	1	1	1	1
	7.657 - CIGAR LIGHTER CABLE (SEAT BACK)							
7-1-15	Cable, Feed.....	205275	492,495,496	1	1	1		
	Terminal.....	200996	492,495,496	1	1	1		
	Sleeve, 3/16" I.D. x 1".....	200997	492,495,496	1	1	1		
	Cable, Ground.....	205276	492	1				
	Screw, Ground.....	648	492	1				
	Screw, Terminal, No. 6-32 x 3/16" Rd. Hd.....	580	492	1				
	Lockwasher, No. 6 Ext. Tooth.....	518	492	1				
7-1-14	Cable, Fuse (4" Long) (incl. Fuse Holder Body).....	205277	492,495,496	1	1	1		
	Sleeve, 3/16" I.D. x 1".....	200997	492,495,496	1	1	1		
7-1-13	Cable, Fuse (82" Long) (incl. Fuse Holder Cap).....	205278	492,495,496	1	1	1		
	Terminal.....	201458	492,495,496	1	1	1		
7-1-12	Fuse (30 Amp.).....	202899	492,495,496	1	1	1		
	7.660 - FUEL GAUGE TANK UNIT CABLE							
	Cable.....	206259	491,492					1
	Terminal.....	201214	491,492					1
	Sleeve, 9/64" I.D. x 1".....	200998	491,492					1
	Clip (on Rear Compartment).....	205693	491,492					3
	7.700 - CHASSIS WIRING HARNESS							
	Harness (L.H.D.).....	204625	491	1				1
	Harness (L.H.D.) (Used W/DS Factory Installed)	206546	491	1				
7-1-31	Harness (L.H.D.).....	204626	492	1	1	1		
7-2-34	Harness (L.H.D.).....	204627	495,496	1	1			
	Harness (L.H.D.).....	206358	491					1
	Harness (L.H.D.) (Used W/DS Factory Installed)	206547	491					1
	Harness (R.H.D.).....	206548	491	1				

ELECTRICAL

7

FIGURE NUMBER	GROUP, PART NAME and DESCRIPTION	PART NUMBER	MODELS	BODY STYLES					
				4-DR. SEDAN	CONV.	VIRGINIAN	UTILITY	TAXICAB	
				1	2	3	5	6	
	7.700 - CHASSIS WIRING HARNESS (Cont'd)								
	Harness (R.H.D.).....	206549	495	1					
	Terminal.....	201214	All	*	*	*	*	*	
	Terminal.....	201548	All	*	*	*	*	*	
	Terminal.....	200996	All	*	*	*	*	*	
	Sleeve, 15/64" I.D. x 1".....	200999	All	*	*	*	*	*	
	Sleeve, 9/64" I.D. x 1".....	200998	All	*	*	*	*	*	
	Sleeve, 3/16" I.D. x 1".....	200997	All	*	*	*	*	*	
	Clip (on Inst. Panel Reinf.) (L.H.D.).....	202736	All	1	1	1	1	1	
	Screw, No. 10-16 x 3/8" Rd. Hd. Cr. Rec....	532	All	1	1	1	1	1	
	Spacer, Clip (R.H.D.).....	204160	491,495	1					
	Grommet (on Cowl) (L.H.D.).....	204628	All	1	1	1	1	1	
	Retainer.....	204629	All	1	1	1	1	1	
	Screw, No. 10-12 x 3/8" Rd. Hd. Cr. Rec.								
	Tap.....	609	All	3	3	3	3	3	
	7.800 - OVERDRIVE SOLENOID								
9-2-30	Solenoid.....	200911	492,495,496	1	1	1	1		
	Bolt, 5/16"-18 x 5/8" Hx. Hd.....	208	492,495,496	2	2	2	2		
	Lockwasher, 5/16" Ext. Tooth.....	348	492,495,496	2	2	2	2		
9-2-29	Oil Seal.....	200914	492,495,496	1	1	1	1		
	7.802 - OVERDRIVE RAIL SWITCH								
9-2-52	Switch.....	200915	492,495,496	1	1	1	1		
	Screw, No. 10-24 x 1/2" Rd. Hd. Sl.....	293	492,495,496	1	1	1	1		
	Lockwasher, No. 10.....	254	492,495,496	1	1	1	1		
9-2-53	Gasket.....	200918	492,495,496	1	1	1	1		
	7.804 - OVERDRIVE SOLENOID RELAY								
	Relay.....	201636	492,495,496	1	1	1	1		
	Screw, No. 14-10 x 1/2" Rd. Hd. Sl. Tap....	383	492,495,496	2	2	2	2		
	Screw, Terminal, No. 10-32 x 1/4" Rd. Hd. Sl.	334	492,495,496	4	4	4	4		
	Lockwasher, No. 10 Ext. Tooth.....	294	492,495,496	4	4	4	4		
	Fuse (20 Amp.).....	201818	492,495,496	1	1	1	1		
	Holder, Fuse.....	201819	492,495,496	1	1	1	1		
	7.806 - OVERDRIVE KICKDOWN SWITCH								
3-2-1	Switch.....	203451	492,495,496	1	1	1	1		
3-2-9	Lockwasher, 7/16" Ext. Tooth.....	637	492,495,496	2	2	2	2		
3-2-8	Nut, 7/16"-20 Hx.....	203387	492,495,496	2	2	2	2		
	Screw, Terminal, No. 8-32 x 1/4" Rd. Hd. Sl..	310	492,495,496	4	4	4	4		
	Lockwasher, No. 8.....	201356	492,495,496	4	4	4	4		
3-2-2	Bracket (L.H.D.).....	203452	492,495,496	1	1	1	1		
	Bolt, 1/4"-10 x 3/4" Hx. Hd. Tap.....	767	492,495,496	1	1	1	1		
	Lockwasher, 1/4".....	370	492,495,496	1	1	1	1		
	Speednut.....	204630	492,495,496	1	1	1	1		
	Bracket (R.H.D.).....	203844	495	1					
	Bolt, 1/4"-20 x 1/2" Hx. Hd.....	179	495	2					
	Lockwasher, 1/4".....	370	495	2					
	Nut, 1/4"-20 Hx.....	203	495	2					

* As required

