

FIGURE 20-1 — KAISER BUMPERS - EXPLODED VIEW

FIGURE 20-1 — KAISER BUMPERS - EXPLODED VIEW

KEY	PART NAME	GROUP	KEY	PART NAME	GROUP
1	Support, Front Bumper, Outer, Right.....	20.208	16	Flatwasher, Front License Plate Bracket to Bumper.....	20.100
2	Support, Front Bumper, Center....	20.208	17	Lockwasher, Front License Plate Bracket to Bumper.....	20.100
3	Spacer, Front Bumper Guard Bolt..	20.260	18	Nut, Front License Plate Bracket to Bumper.....	20.100
4	Flatwasher.....	20.260	19	Bolt, Guards to Bar and Support..	20.200
5	Locknut.....	20.260	20	Guard, Front, Left.....	20.260
6	Bolt, Supports to Frame.....	20.208	21	Bolt, Bumper Bar to Support.....	20.200
7	Flatwasher, Supports to Frame Bolt.....	20.208	22	Support, Rear Bumper, Outer, Right.....	20.252
8	Locknut, Supports to Frame Bolt..	20.208	23	Support, Rear Bumper, Inner, Right.....	20.252
9	Plate, Spacer.....	20.200	24	Support, Rear Bumper, Inner, Left	20.252
10	Bar, Front Bumper.....	20.200	25	Support, Rear Bumper, Outer, Left	20.252
11	Insulator, Support to Bumper Bar.	20.208	26	Bolt, Guards to Bar and Supports.	20.252
12	Bolt, Front License Plate Bracket to Bumper.....	20.100	27	Guard, Rear.....	20.265
13	Guard, Front, Right.....	20.260	28	Bar, Rear Bumper.....	20.250
14	Bracket Assembly, Front License Plate.....	20.100	29	Guard, Rear, Center.....	20.265
15	Bumper, Front License Plate Bracket.....	20.100			

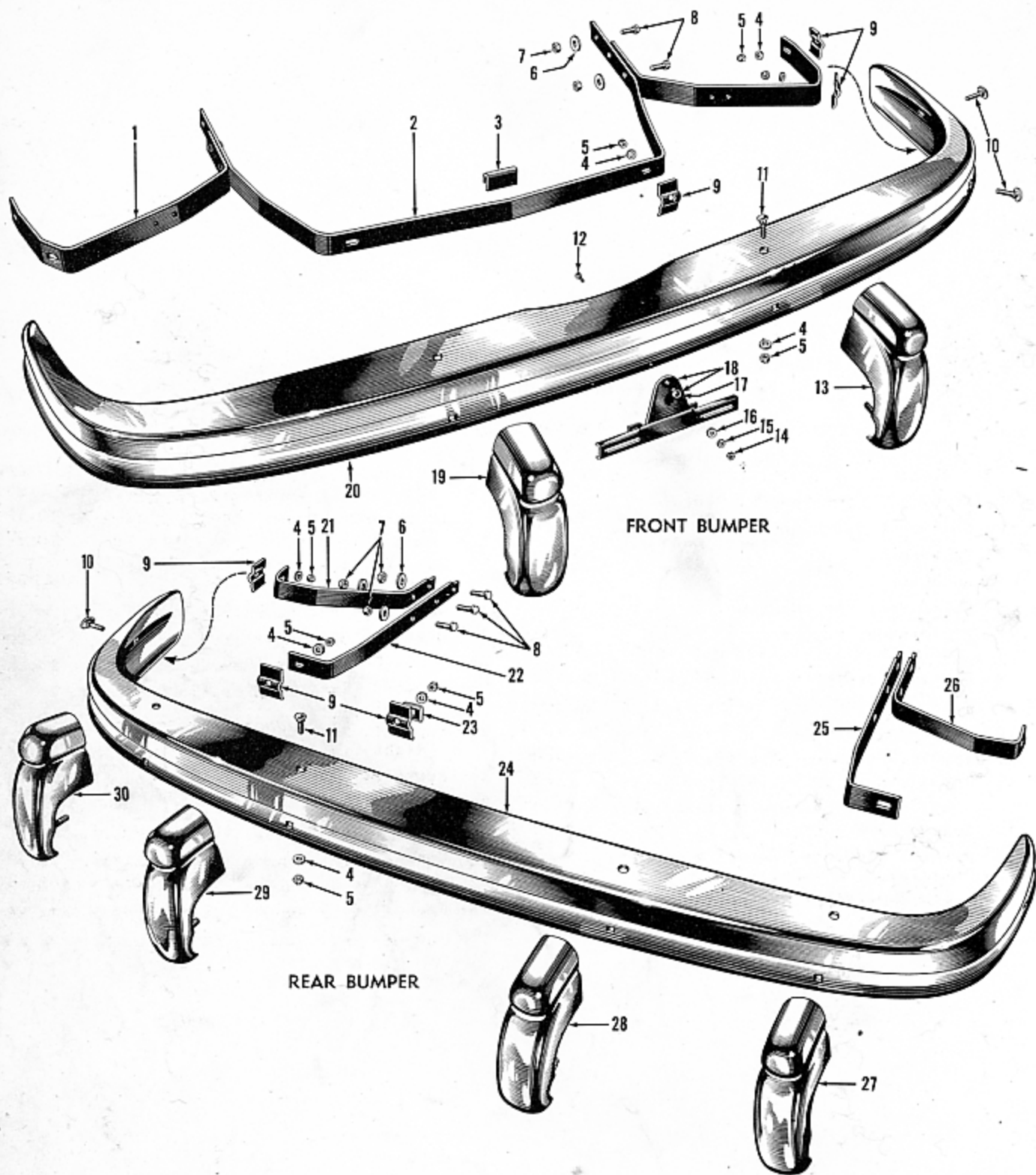


FIGURE 20-2 — FRAZER BUMPERS - EXPLODED VIEW

FIGURE 20-2 — FRAZER BUMPERS - EXPLODED VIEW

KEY	PART NAME	GROUP	KEY	PART NAME	GROUP
1	Support, Front Bumper, Outer, Right.....	20.208	16	Flatwasher, Front License Plate Bracket to Bumper Bar.....	20.100
2	Support, Front Bumper, Center....	20.208	17	Bumper, Front License Plate.....	20.100
3	Insulator, Support to Bumper Bar.	20.208	18	Bracket Assembly, Front License Plate.....	20.100
4	Flatwasher.....	20.200	19	Guard, Front, Right.....	20.260
5	Locknut.....	20.200	20	Bar, Front Bumper.....	20.200
6	Flatwasher, Supports to Frame....	20.208	21	Support, Rear Bumper, Outer, Left	20.252
7	Locknut, Supports to Frame.....	20.208	22	Support, Rear Bumper, Inner, Left	20.252
8	Bolt, Supports to Frame.....	20.208	23	Plate, Nut Seat.....	20.265
9	Plate, Spacer.....	20.200	24	Bar, Rear Bumper.....	20.250
10	Bolt, Bumper Bar to Supports.....	20.200	25	Support, Rear Bumper, Inner, Right.....	20.252
11	Bolt, Guard to Bumper Bar.....	20.260	26	Support, Rear Bumper, Outer, Right.....	20.252
12	Bolt, Front License Plate Bracket to Bumper Bar.....	20.100	27	Guard, Rear Bumper, Outer, Right.	20.265
13	Guard, Front, Left.....	20.260	28	Guard, Rear Bumper, Inner, Right.	20.265
14	Nut, Front License Plate Bracket to Bumper Bar.....	20.100	29	Guard, Rear Bumper, Inner, Left..	20.265
15	Lockwasher, Front License Plate Bracket to Bumper Bar.....	20.100	30	Guard, Rear Bumper, Outer, Left..	20.265

CHASSIS MISCELLANEOUS

FIGURE NUMBER	GROUP, PART NAME and DESCRIPTION	PART NUMBER	MODELS	BODY STYLES					
				4-DR. SEDAN	CONV.	VIRGINIAN	UTILITY	TAXICAB	
				1	2	3	5	6	
	20.000 - SHOCK ABSORBER-FRONT								
13-1-1	Shock Absorber.....	205577	All	2		2			
13-1-1	Shock Absorber.....	205726	492,496		2				
13-1-1	Shock Absorber (Heavy Duty).....	203461	All	2		2			
13-1-1	Shock Absorber (Heavy Duty) (Export).....	206487	All	2		2			
13-1-1	Shock Absorber.....	203461	491,492				2	2	
13-1-9	Locknut.....	202257	All	4	4	4	4	4	
	20.002 - SHOCK ABSORBER TO UPPER SUPPORT CUSHION								
13-1-5	Cushion.....	204151	All	4	4	4	4	4	
	Retainer, 13/32" I.D.....	201015	All	2	2	2	2	2	
	Retainer, 1/2" I.D.....	202867	All	2	2	2	2	2	
13-1-4	Retainer (Pilot) 9/16" I.D.....	201118	All	2	2	2	2	2	
	20.004 - SHOCK ABSORBER TO FRONT SPRING SEAT CUSHION								
	Cushion.....	204151	All	4	4	4	4	4	
	Retainer, 13/32" I.D.....	201015	All	2	2	2	2	2	
	Retainer, 1/2" I.D.....	202867	All	2	2	2	2	2	
13-1-8	Seat.....	201491	All	2	2	2	2	2	
13-1-6	Support.....	204854	All	2	2	2	2	2	
	20.010 - SHOCK ABSORBER-REAR								
12-2-4	Shock Absorber.....	205578	All	2		2			
12-2-4	Shock Absorber.....	205727	492,496		2				
12-2-4	Shock Absorber (Heavy Duty).....	203462	All	2		2			
12-2-4	Shock Absorber (Heavy Duty) (Export).....	206488	All	2		2			
12-2-4	Shock Absorber.....	203462	491,492				2	2	
12-2-3	Bushing.....	201494	All	8	8	8	8	8	
12-2-5	Flatwasher, Outer (15/32" x 1 1/4" x 1/16")	201495	All	4	4	4	4	4	
12-2-2	Flatwasher, Inner (21/32" I.D. x 1-5/16" O.D.)	206120	All	2	2	2	2	2	
12-2-1	Locknut, 7/16"-20 Hx.....	658	All	4	4	4	4	4	
	20.100 - FRONT LICENSE PLATE BRACKET								
20-1-14	Bracket (incl. Bumper).....	204116	All	1	1	1	1	1	
20-1-12	Bolt, 1/4"-20 x 5/8" Hx. Hd.....	257	All	2	2	2	2	2	
20-1-16	Flatwasher, 1/4" Sm.....	243	All	2	2	2	2	2	
20-1-17	Lockwasher, 1/4" Med.....	190	All	2	2	2	2	2	
20-1-18	Nut, 1/4"-20 Hx.....	203	All	2	2	2	2	2	
20-1-15	Bumper.....	204117	All	1	1	1	1	1	
	20.106 - FRONT LICENSE PLATE MOUNTING PARTS								
	Bolt, 1/4"-20 x 9/16" Rd. Hd. Sl.....	440	All	2	2	2	2	2	
	Flatwasher, 1/4" Sm.....	243	All	2	2	2	2	2	
	Lockwasher, 1/4" Med.....	190	All	2	2	2	2	2	
	Nut, 1/4"-20 Hx.....	203	All	2	2	2	2	2	

CHASSIS MISCELLANEOUS

FIGURE NUMBER	GROUP, PART NAME and DESCRIPTION	PART NUMBER	MODELS	BODY STYLES					
				4-DR. SEDAN	CONV.	VIRGINIAN	UTILITY	TAXICAB	
				1	2	3	5	6	
20.115 - REAR LICENSE PLATE BRACKET									
NOTE: For Bracket on Utility Models, See License Light, Group 30.0702.									
	Bracket.....	204118	All	1	1	1		1	
	Bolt, 1/4"-20 x 7/16" Hx. Hd.....	592	All	2	2	2		2	
	Lockwasher, 1/4" Med.....	190	All	2	2	2		2	
	Nut, 1/4"-20 Hx.....	203	All	2	2	2		2	
	Anti-Squeak.....	204119	All	2	2	2		2	
	Support.....	204120	All	1	1	1		1	
	Bolt, 1/4"-20 x 3/8" Tr. Hd. Sl.....	753	All	1	1	1		1	
	Lockwasher, 1/4" Med.....	190	All	1	1	1		1	
	Nut, 1/4"-20 Hx.....	203	All	1	1	1		1	
20.119 - REAR LICENSE PLATE MOUNTING PARTS									
	Bolt, 1/4"-20 x 7/16" Rd. Hd. Sl.....	250	All	2	2	2	2	2	
	Flatwasher, 1/4" Sm.....	243	All	2	2	2	2	2	
	Speednut.....	205360	All	2	2	2		2	
	Nut, 1/4"-20 Sq.....	235	491,492					2	
20.200 - FRONT BUMPER BAR									
20-1-10	Bar.....	204121	491,492	1	1	1	1	1	
20-1-19	Bolt, 7/16"-14 x 4" Rd. Hd.....								
20-1-4	Flatwasher.....	205576	491,492	2	2	2	2	2	
20-1-5	Locknut, 7/16"-14 Hx.....	201471	491,492	2	2	2	2	2	
20-1-3	Spacer.....	696	491,492	2	2	2	2	2	
20-1-9	Plate, Spacer.....	204124	491,492	2	2	2	2	2	
20-1-21	Bolt, 7/16"-14 x 1 1/2" Oval Hd.....	204122	491,492	2	2	2	2	2	
20-1-4	Flatwasher.....	204125	491,492	4	4	4	4	4	
20-1-5	Locknut, 7/16"-14 Hx.....	201471	491,492	4	4	4	4	4	
20-1-9	Plate, Spacer.....	696	491,492	4	4	4	4	4	
20-2-20	Bar.....	204122	491,492	4	4	4	4	4	
20-2-4	Flatwasher.....	204126	495,496	1	1				
20-4-5	Locknut, 7/16"-14 Hx.....	201471	495,496	2	2				
20-2-10	Bolt, 7/16"-14 x 1 1/2" Oval Hd.....	696	495,496	2	2				
20-2-4	Flatwasher.....	204128	495,496	4	4				
20-2-5	Locknut, 7/16"-14 Hx.....	201471	495,496	4	4				
20-2-9	Plate, Spacer.....	696	495,496	4	4				
		204127	495,496	6	6				
20.208 - FRONT BUMPER SUPPORT									
20-1-2	Support, Center.....	204129	491,492	1	1	1	1	1	
20-2-2	Support, Center.....	204131	495,496	1	1				
20-1-1	Support, Outer, Right.....	204252	491,492	1	1	1	1	1	
20-2-1	Support, Outer, Right.....	204251	495,496	1	1				
	Support, Outer, Left.....	204253	491,492	1	1	1	1	1	
	Support, Outer, Left.....	204132	495,496	1	1				
20-1-6	Bolt, 1/2"-20 x 1 3/8" Hx. Hd.....	754	All	4	4	4	4	4	

CHASSIS MISCELLANEOUS

FIGURE NUMBER	GROUP, PART NAME and DESCRIPTION	PART NUMBER	MODELS	BODY STYLES					
				4-DR. SEDAN	CONV.	VIRGINIAN	UTILITY	TAXICAB	
				1	2	3	5	6	
20.208 - FRONT BUMPER SUPPORT (Cont'd)									
20-1-7	Flatwasher, 9/16".....	755	All	4	4	4	4	4	
20-1-8	Locknut, 1/2"-20 Hx.....	223	All	4	4	4	4	4	
20-1-11	Insulator (to Bumper Bar).....	204130	All	1	1	1	1	1	
	Insulator (to Stone Deflector).....	206023	All	2	2	2	2	2	
20.250 - REAR BUMPER BAR									
20-1-28	Bar.....	204133	491,492	1	1	1			1
	Bar.....	206265	491,492					1	
	Bolt, 7/16"-14 x 1 1/2" Rd. Hd.....	206266	491,492					2	
20-1-26	Bolt, 7/16"-14 x 4" Rd. Hd.....	205575	491,492	2	2	2			2
20-1-4	Flatwasher.....	201471	491,492	2	2	2	2	2	2
20-1-5	Locknut, 7/16"-14 Hx.....	696	491,492	2	2	2	2	2	2
20-1-21	Bolt, 7/16"-14 x 1 1/2" Oval Hd.....	204125	491,492	2	2	2	2	2	2
20-1-4	Flatwasher.....	201471	491,492	2	2	2	2	2	2
20-1-5	Locknut, 7/16"-14 Hx.....	696	491,492	2	2	2	2	2	2
20-1-9	Plate, Spacer.....	204122	491,492	4	4	4	4	4	4
20-2-24	Bar.....	204134	495,496	1	1				
20-2-4	Flatwasher.....	201471	495,496	2	2				
20-2-5	Locknut, 7/16"-14 Hx.....	696	495,496	2	2				
20-2-10	Bolt, 7/16"-14 x 1 1/2" Oval Hd.....	204128	495,496	2	2				
20-2-4	Flatwasher.....	201471	495,496	2	2				
20-2-5	Locknut, 7/16"-14 Hx.....	696	495,496	2	2				
20-2-9	Plate, Spacer.....	204127	495,496	4	4				
20.252 - REAR BUMPER SUPPORT									
20-1-23	Support, Inner, Right.....	204135	491,492	1	1	1	1	1	1
20-1-24	Support, Inner, Left.....	204136	491,492	1	1	1	1	1	1
20-1-22	Support, Outer, Right.....	204137	491,492	1	1	1	1	1	1
20-1-25	Support, Outer, Left.....	204138	491,492	1	1	1	1	1	1
20-2-25	Support, Inner, Right.....	204139	495,496	1	1				
20-2-22	Support, Inner, Left.....	204140	495,496	1	1				
20-2-26	Support, Outer, Right.....	204141	495,496	1	1				
20-2-21	Support, Outer, Left.....	204142	495,496	1	1				
20-1-6	Bolt, 1/2"-20 x 1 3/8" Hx. Hd.....	754	All	6	6	6	6	6	6
20-1-7	Flatwasher, 9/16".....	755	All	6	6	6	6	6	6
20-1-8	Locknut, 1/2"-20 Hx.....	223	All	6	6	6	6	6	6
20.260 - BUMPER GUARD-FRONT									
20-1-13	Guard, Right.....	204143	491,492	1	1	1	1	1	1
20-1-20	Guard, Left.....	204144	491,492	1	1	1	1	1	1
20-1-19	Bolt, 7/16"-14 x 4" Rd. Hd.....	205576	491,492	2	2	2	2	2	2
20-1-4	Flatwasher.....	201471	491,492	2	2	2	2	2	2
20-1-5	Locknut, 7/16"-14 Hx.....	696	491,492	2	2	2	2	2	2
20-1-3	Spacer.....	204124	491,492	2	2	2	2	2	2
20-2-19	Guard, Right.....	204145	495,496	1	1				
20-2-13	Guard, Left.....	204146	495,496	1	1				
20-2-11	Bolt, 7/16"-14 x 1 1/8" Rd. Hd Carriage....	752	495,496	2	2				

CHASSIS MISCELLANEOUS

20

FIGURE NUMBER	GROUP, PART NAME and DESCRIPTION	PART NUMBER	MODELS	BODY STYLES					
				4-DR. SEDAN	CONV.	VIRGINIAN	UTILITY	TAXICAB	
				1	2	3	5	6	
20.260 - BUMPER GUARD-FRONT (Cont'd)									
20-2-4	Flatwasher.....	201471	495,496	4	4				
20-2-5	Locknut, 7/16"-14 Hx.....	696	495,496	4	4				
20.262 - GRILLE GUARD									
	Guard (less Bracket).....	205809	491					1	
	Stud.....	205810	491					2	
	Lockwasher, 7/16".....	193	491					2	
	Nut, 7/16"-20 Hx.....	187	491					2	
	Bolt, 3/8"-16 x 2 1/4"								
	Hx. Hd.....	212	491					2	
	Lockwasher, 3/8" Med.....	192	491					2	
	Nut, 3/8"-16 Hx.....	204	491					2	
	Bracket (Guard to Bumper).....	205811	491					2	
	Brace (Guard to Frame).....	205812	491					2	
	Bolt, 3/8"-16 x 2 1/4"								
	Hx. Hd.....	212	491					2	
	Lockwasher, 3/8" Med.....	192	491					2	
	Nut, 3/8"-16 Hx.....	204	491					2	
	Clamp.....	205813	491					2	
20.265 - BUMPER GUARD-REAR									
20-1-27	Guard.....	204147	491,492	2	2	2	2	2	
20-1-29	Guard, Center.....	205246	491,492	1	1	1		1	
20-1-26	Bolt, 7/16"-14 x 4" Rd. Hd.....	205575	491,492	3	3	3	2	3	
20-1-4	Flatwasher.....	201471	491,492	3	3	3	2	3	
20-1-5	Locknut, 7/16"-14 Hx.....	696	491,492	3	3	3	2	3	
20-1-9	Plate, Spacer.....	204122	491,492	1	1	1		1	
20-2-28	Guard, Inner, Right.....	204146	495,496	1	1				
20-2-29	Guard, Inner, Left.....	204145	495,496	1	1				
20-2-11	Bolt, 7/16"-14 x 1 3/8" Rd. Hd. Carriage...	752	495,496	2	2				
20-2-4	Flatwasher.....	201471	495,496	2	2				
20-2-5	Locknut, 7/16"-14 Hx.....	696	495,496	4	4				
20-2-23	Plate, Nut Seat.....	204148	495,496	2	2				
20-2-9	Plate, Spacer.....	204127	495,496	2	2				
20-2-27	Guard, Outer, Right.....	204149	495,496	1	1				
20-2-30	Guard, Outer, Left.....	204150	495,496	1	1				
20-2-11	Bolt, 7/16"-14 x 1 3/8"								
	Rd. Hd. Carriage.....	752	495,496	2	2				
20-2-4	Flatwasher.....	201471	495,496	2	2				
20-2-4	Flatwasher.....	201471	495,496	2	2				
20-2-5	Locknut, 7/16"-14 Hx.....	696	495,496	2	2				
20.300 - TOOLS									
	Tool Kit (incl. Jack, Wheel Bolt Wrench and Tools).....	205415	All	1	1	1	1	1	
	Wrench, Wheel Bolt (3/4" Hx.).....	203288	All	1	1	1	1	1	
30-2-7	Jack (incl. Base).....	204152	All	1	1	1		1	
30-2-7	Jack (incl. Base).....	206267	491,492				1		
30-2-9	Base (four sided Shaft hole).....	204153	All	1	1	1	1	1	
	Base (three sided Shaft hole).....	204154	All	1	1	1		1	