

GASKET SETS and REPAIR KITS

60-1

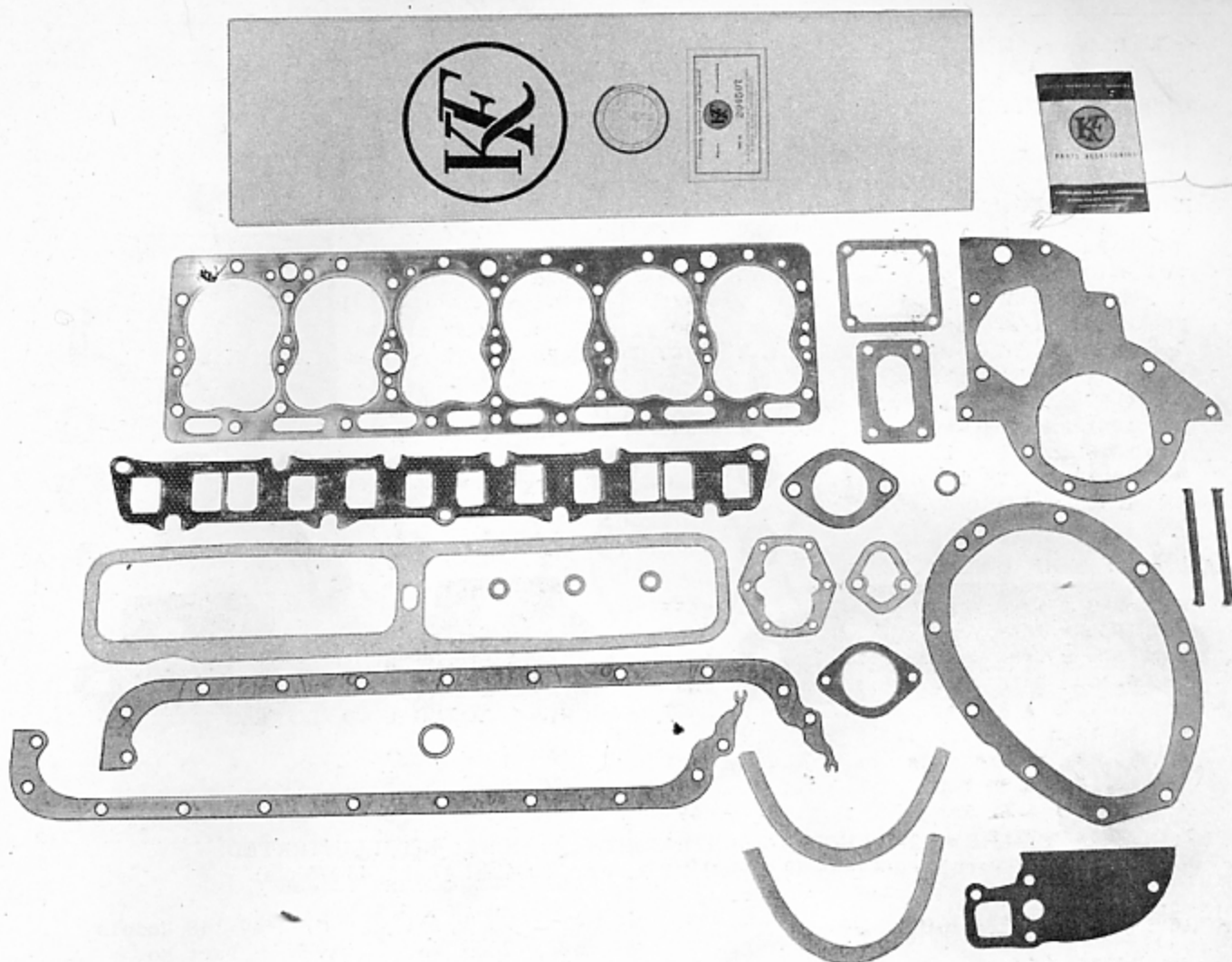


FIGURE 60-1—ENGINE OVERHAUL GASKET SETS (DUAL MANIFOLD SHOWN)
Part No. 204507 (Dual) Part No. 204506 (Single)

These Sets consist of:

	Qty.	Part No. (Dual)	Part No. (Single)
Gasket, Cylinder Head.....	1	200062	200062
Gasket, Valve Tappet Cover.....	1	200143	200143
Gasket, Valve Tappet Cover Nut.....	3	202145	202145
Gasket, Intake and Exhaust Manifold to Block.....	1	200279	200279
Gasket, Exhaust to Intake Manifold.....	1	203376	200319
Gasket, Exhaust Manifold to Exhaust Pipe.....	1	201852	201852
Gasket, Fuel Pump to Block.....	1	200283	200283
Gasket, Carburetor to Intake Manifold.....	1	203355	200437
Gasket, Oil Pan (Side).....	2	200266	200266
Gasket, Oil Pan (End).....	2	200267	200267
Gasket, Cylinder Block Front End Plate.....	1	203890	203890
Gasket, Crankshaft Rear Oil.....	2	204654	204654
Gasket, Timing Chain Cover.....	1	200128	200128
Gasket, Oil Pump Cover.....	1	200253	200253
Gasket, Oil Pan Drain Plug.....	1	200269	200269
Gasket, Relief Valve Plug.....	1	202146	202146
Gasket, Water Pump to Block.....	1	200148	200148
Gasket, Water Outlet Elbow.....	1	200336	200336

GASKET SETS and REPAIR KITS

60-1

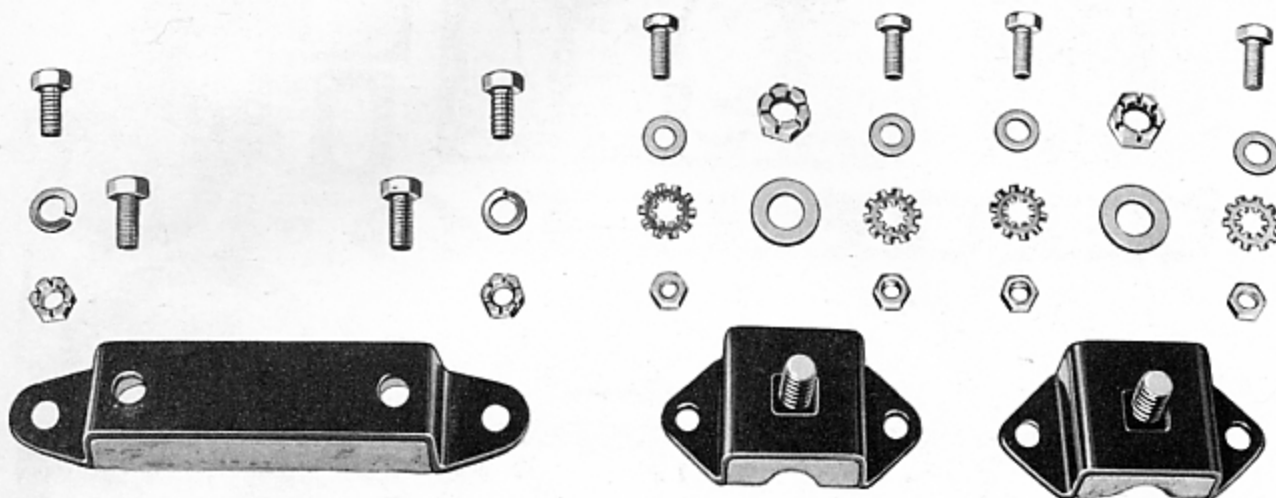


FIGURE 60-2—ENGINE MOUNTING KITS ('49 MODEL KIT ILLUSTRATED)
 Part No. 206489 ('49 Model) Part No. 206403 ('47 and '48 Models)

These Kits consist of:

	'49 Model		'47-'48 Models	
	Qty.	Part No.	Qty.	Part No.
Insulator, Front.....	2	200202	2	200202
Bolt.....	4	224	8	224
Flatwasher.....	4	225	8	225
Lockwasher.....	4	226	4	226
Nut.....	4	189	4	189
Flatwasher.....	2	222	4	222
Locknut.....	2	223	4	223
Insulator, Rear.....	1	204315	2	201365
Bolt.....	2	675		
Locknut.....	2	203311	4	326
Bolt.....	2	220		
Lockwasher.....	2	192		

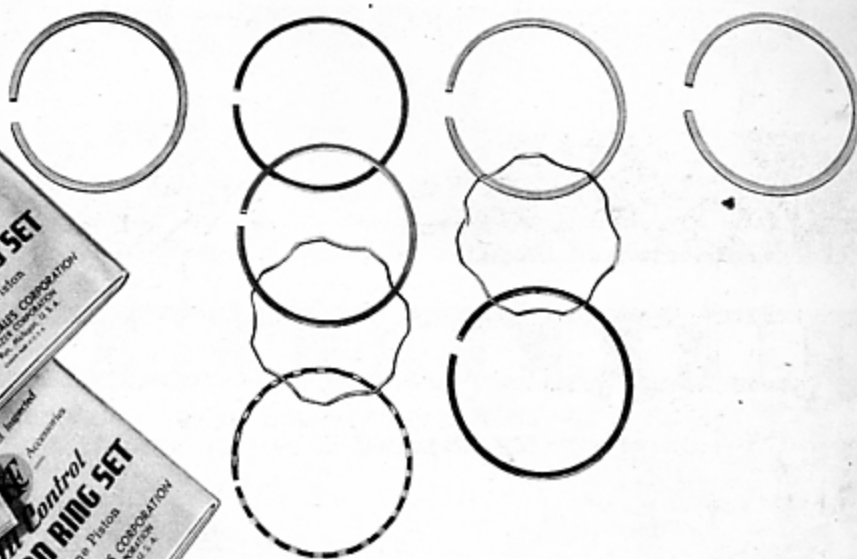


FIGURE 60-3—PISTON RING SET - OIL CONTROL

For Ordering Information, See Group No. 1-417, Page 13

GASKET SETS and REPAIR KITS

60-1

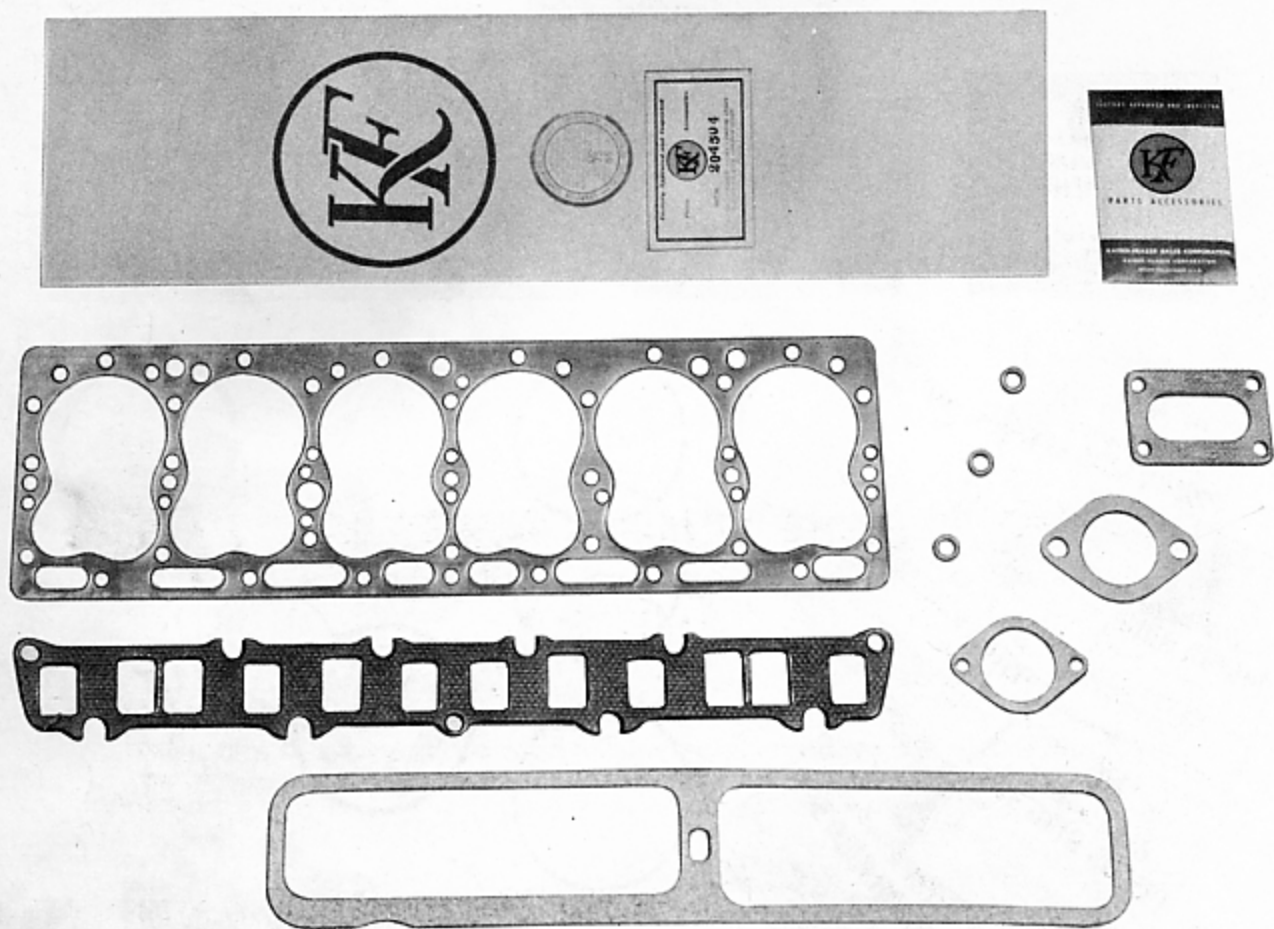


FIGURE 60-4—VALVE GRIND GASKET SETS (DUAL MANIFOLD SHOWN)
 Part No. 204504 (Dual) Part No. 204503 (Single)

These Sets consist of:

	Qty.	Part No. (Dual)	Part No. (Single)
Gasket, Cylinder Head.....	1	200062	200062
Gasket, Valve Tappet Cover.....	1	200143	200143
Gasket, Valve Tappet Cover Nut.....	3	202145	202145
Gasket, Exhaust and Intake Manifold to Block.....	1	200279	200279
Gasket, Exhaust Manifold to Exhaust Pipe.....	1	201852	201852
Gasket, Carburetor to Intake Manifold.....	1	203355	200437
Gasket, Water Outlet Elbow.....	1	200336	200336

GASKET SETS and REPAIR KITS

60-2

60-3

FACTORY APPROVED AND INSPECTED

GASKET SET—OIL PAN
PART NO. 204505

DO NOT FOLD OR BEND

PARTS



ACCESSORIES

CONSISTS OF:

1. OIL PAN GASKET—SIDE

2. OIL PAN GASKET—END

3. OIL PAN DRAIN PLUG

KAISER-FRAZER SALES CORPORATION · KAISER-FRAZER CORPORATION · WILLOW RUN, MICHIGAN, U. S. A.

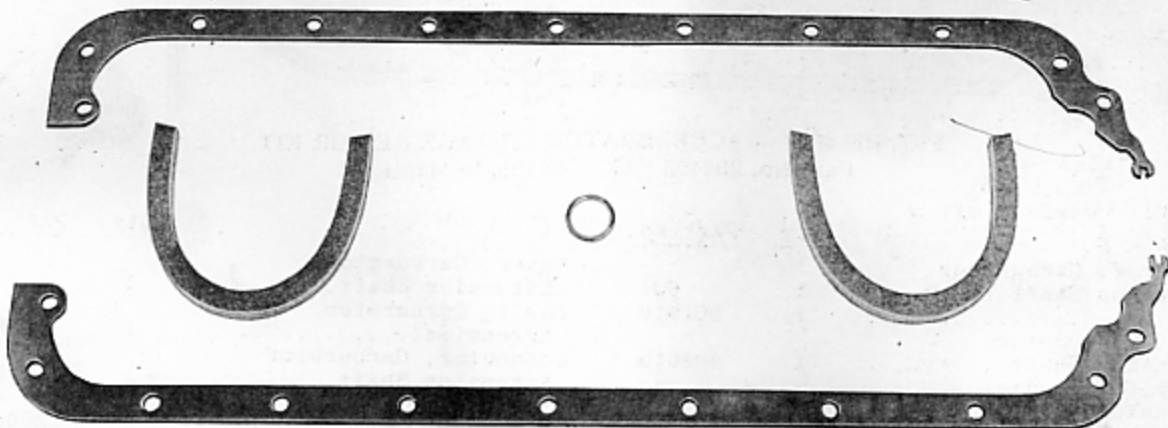


FIGURE 60-5—OIL PAN GASKET SET
Part No. 204505

This Set consists of:

	Qty.	Part No.
Gasket, Oil Pan (Side).....	2	200266
Gasket, Oil Pan (End).....	2	200267
Gasket, Oil Pan Drain Plug.....	1	200269

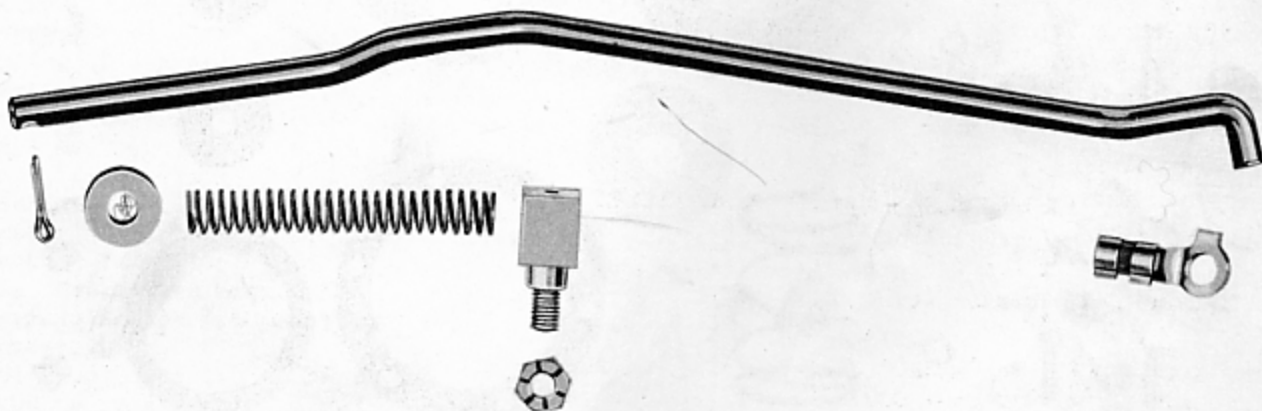


FIGURE 60-6—ACCELERATOR LINKAGE REPAIR KITS (DUAL MANIFOLD SHOWN)
Part No. 206401 (Dual) Part No. 206400 (Single '49)

These Kits consist of:

	Qty.	Part No. (Dual)	Part No. (Single)
Shaft, Carburetor Extension.....	1	204810	203366
Nut.....	1	635	635
Spring, Carburetor Extension Shaft.....	1	203368	203368
Swivel, Carburetor Extension Shaft.....	1	203367	203367
Cotter Pin	1	452	452
Clip.....	1	200484	200484
Flatwasher.....	1	243	243

GASKET SETS and REPAIR KITS

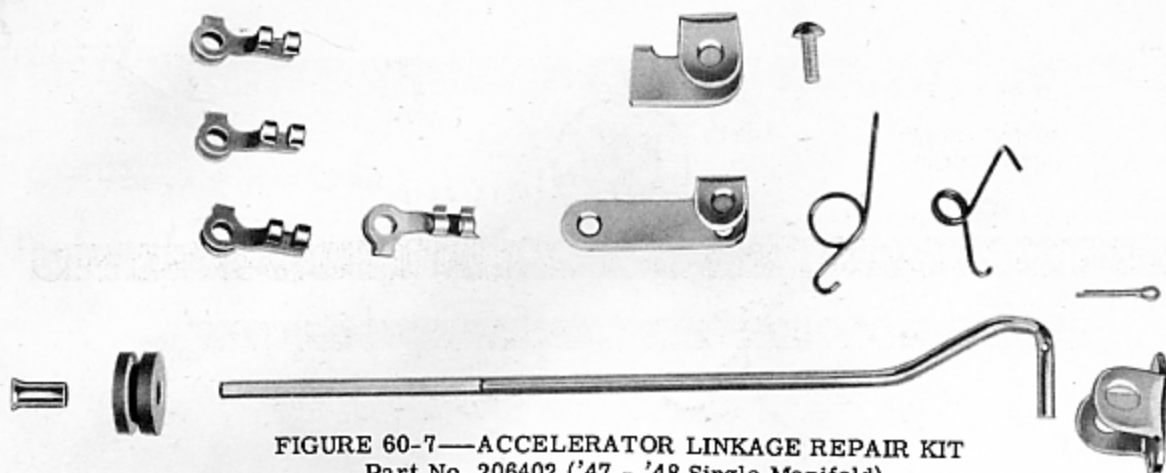


FIGURE 60-7—ACCELERATOR LINKAGE REPAIR KIT
Part No. 206402 ('47 - '48 Single Manifold)

This Kit consists of:

	Qty.	Part No.		Qty.	Part No.
Set Screw, Carburetor			Lever, Carburetor		
Extension Shaft Lever....	1	604	Extension Shaft.....	1	201918
Clip.....	1	201919	Shaft, Carburetor		
Lever, Carburetor			Extension.....	1	201900
Extension Shaft.....	1	202015	Connector, Carburetor		
Spring, Carburetor			Extension Shaft.....	1	201901
Extension Shaft.....	1	201917	Cotter Pin	1	452
Grommet, Carburetor			Clip.....	3	200485
Extension Shaft.....	1	202554	Spring, Throttle Control		
Bushing, Carburetor			Lever Return.....	1	201920
Extension Shaft.....	1	202590			

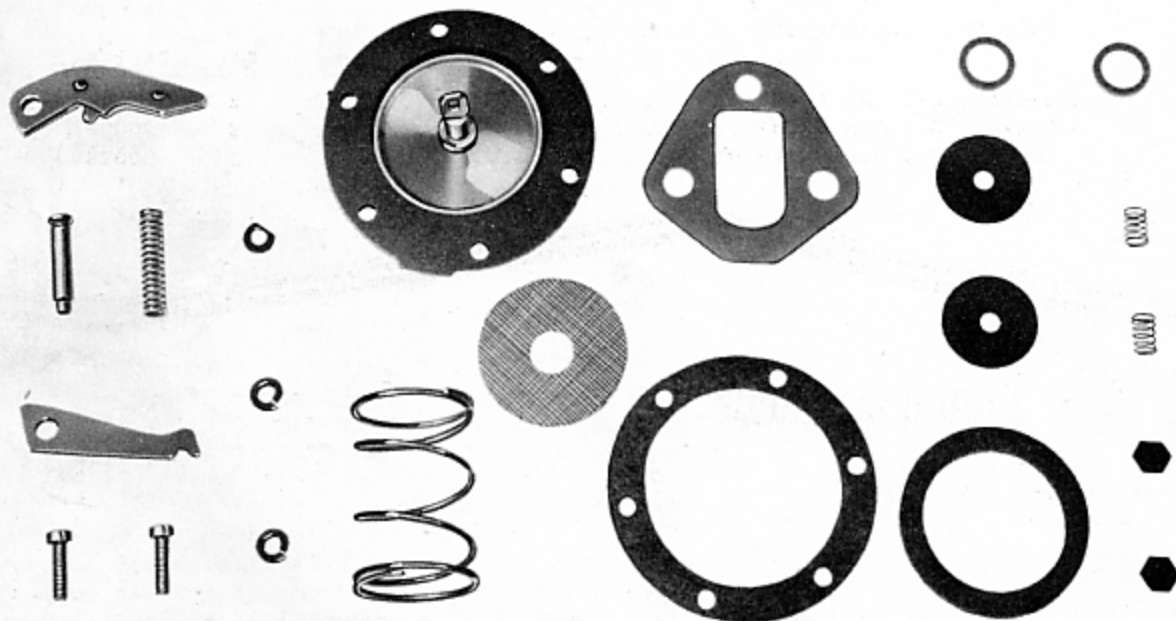


FIGURE 60-8—FUEL PUMP REPAIR KIT
Part No. 201782 ('47 Model) (Use in Fuel Pump Part No. 200281)

This Kit consists of:

	Qty.	Part No.		Qty.	Part No.
Gasket, Mounting.....	1	200283	Washer, Rocker Arm Pin....	1	*
Gasket, Bowl.....	1	200295	Pin, Rocker Arm Link.....	1	*
Screen.....	1	200296	Link, Rocker Arm.....	1	*
Valve.....	2	*	Washer (Leather).....	2	*
Lockwasher, Cover.....	2	*	Spring, Rocker Arm.....	1	*
Gasket, Valve.....	2	*	Arm, Rocker.....	1	*
Screw, Cover.....	2	*	Spring, Diaphragm.....	1	*
Gasket, Diaphragm.....	1	*	Diaphragm.....	1	*
Spring, Valve.....	2	*			

*Not sold separately

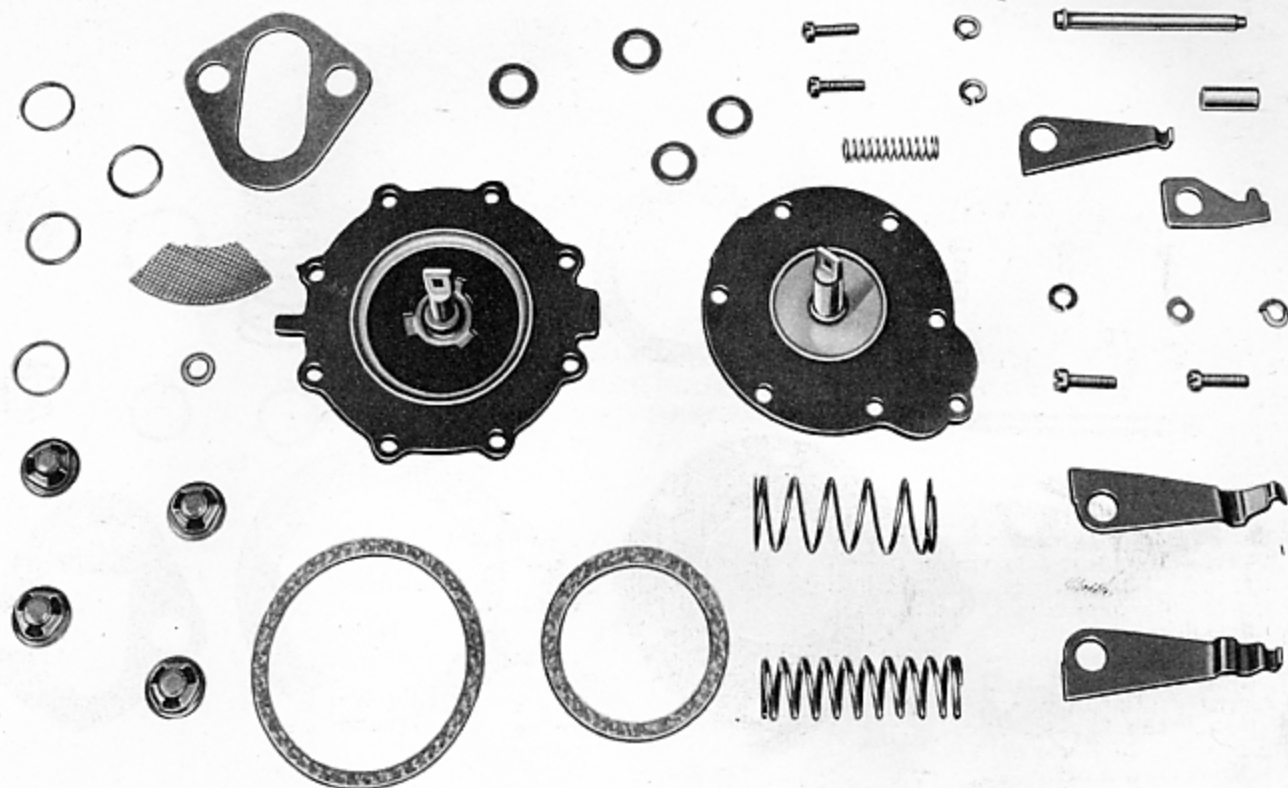


FIGURE 60-9—FUEL PUMP REPAIR KIT
Part No. 202877 (Use in Pump Part No. 202319)

This Kit consists of:

	Qty.	Part No.
Gasket, Bowl.....	1	201578
Lockwasher, Cover.....	4	*
Screw, Cover.....	4	*
Spring, Diaphragm.....	1	*
Washer, Rocker Arm Pin.....	1	*
Gasket, Cover Plate Screw.....	1	*
Link.....	1	*
Link, Right.....	1	*
Link, Left.....	1	*
Spacer, Link.....	1	*
Gasket, Valve.....	4	*
Pin, Rocker Arm Link.....	1	*
Spring, Rocker Arm.....	1	*
Spacer, Link, .010".....	2	*
Valve and Cage.....	4	*
Bushing, Pin.....	1	*
Spring, Diaphragm.....	1	*
Diaphragm.....	1	*
Gasket, Cover Plate.....	1	*
Screen.....	1	*
Screen.....	1	201579
Diaphragm and Pull Rod Assembly.....	1	*
Spacer, Link.....	1	*
Gasket, Mounting.....	1	200283

*Not sold separately

GASKET SETS and REPAIR KITS

60-3

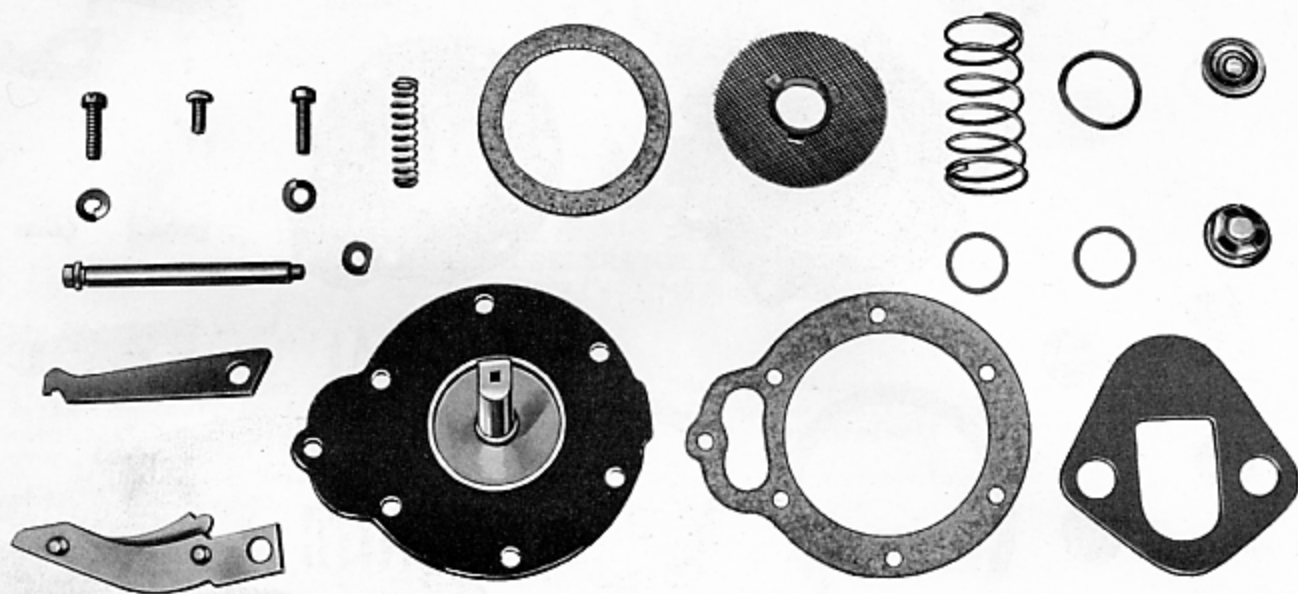


FIGURE 60-10—FUEL PUMP REPAIR KIT
Part No. 201784 ('47 Model) Use in Pump Part No. 201509

This Kit consists of:

	Qty.	Part No.
Gasket, Bowl.....	1	201578
Screw, Valve.....	1	*
Gasket, Mounting.....	1	200283
Lockwasher, Cover.....	2	*
Screw, Cover.....	2	*
Washer, Rocker Arm Pin.....	1	*
Gasket, Valve.....	2	*
Arm, Rocker.....	1	*
Pin, Rocker Arm Link.....	1	*
Valve and Cage.....	2	*
Spring, Rocker Arm.....	1	*
Link, Rocker Arm.....	1	*
Spring, Diaphragm.....	1	*
Diaphragm.....	1	*
Screen.....	1	201579
Gasket, Diaphragm.....	1	*
Gasket, Oil Seal.....	1	*

*Not sold separately

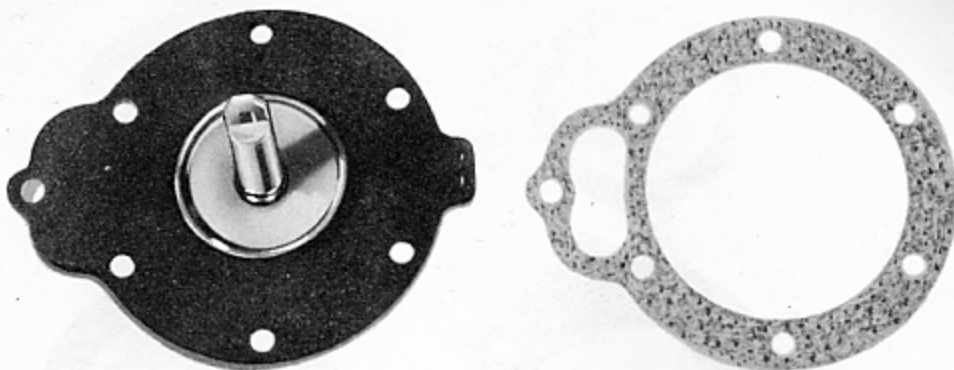


FIGURE 60-11—FUEL PUMP DIAPHRAGM KIT (EXPORT ONLY)
 Part No. 203345 (Use in Pump Part No. 201509 or 202319)

This Kit consists of:

	Qty.	Part No.
Diaphragm.....	1	*
Gasket, Diaphragm.....	1	*

*Not sold separately

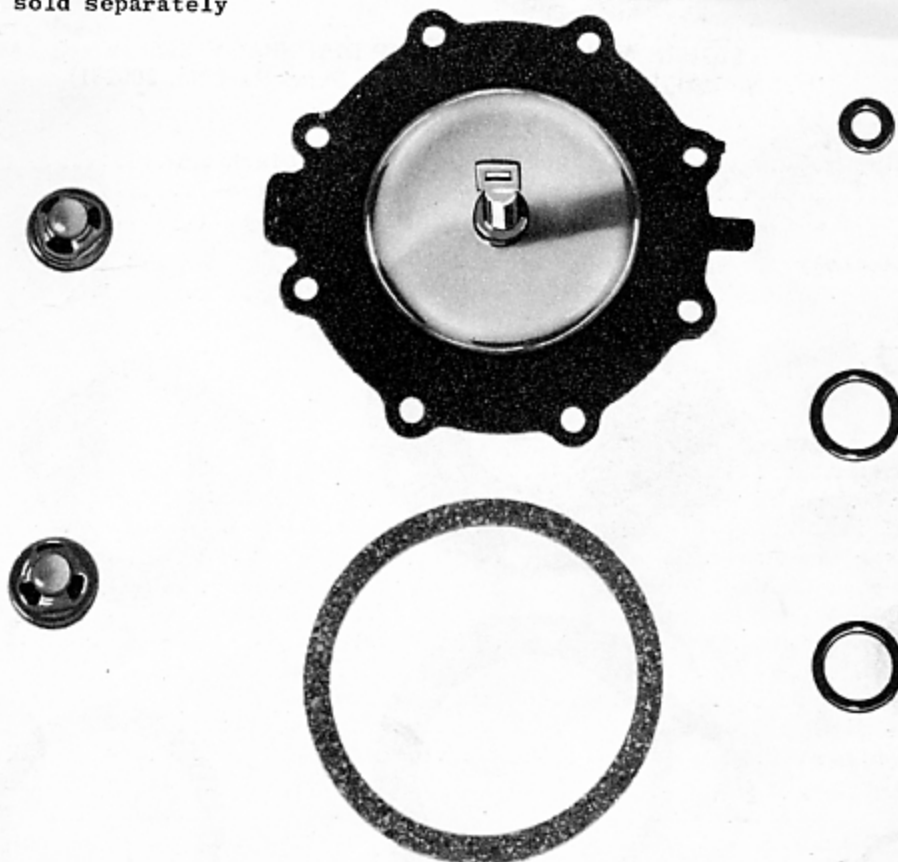


FIGURE 60-12—FUEL PUMP DIAPHRAGM KIT (VACUUM PUMP)
 Part No. 202876 (Use in Pump Part No. 202319)

This Kit consists of:

	Qty.	Part No.
Gasket, Cover Plate Capscrew.....	1	*
Gasket, Valve.....	2	*
Valve and Cage.....	2	*
Gasket, Cover Plate.....	1	*
Diaphragm and Pull Rod.....	1	*

*Not sold separately

GASKET SETS and REPAIR KITS

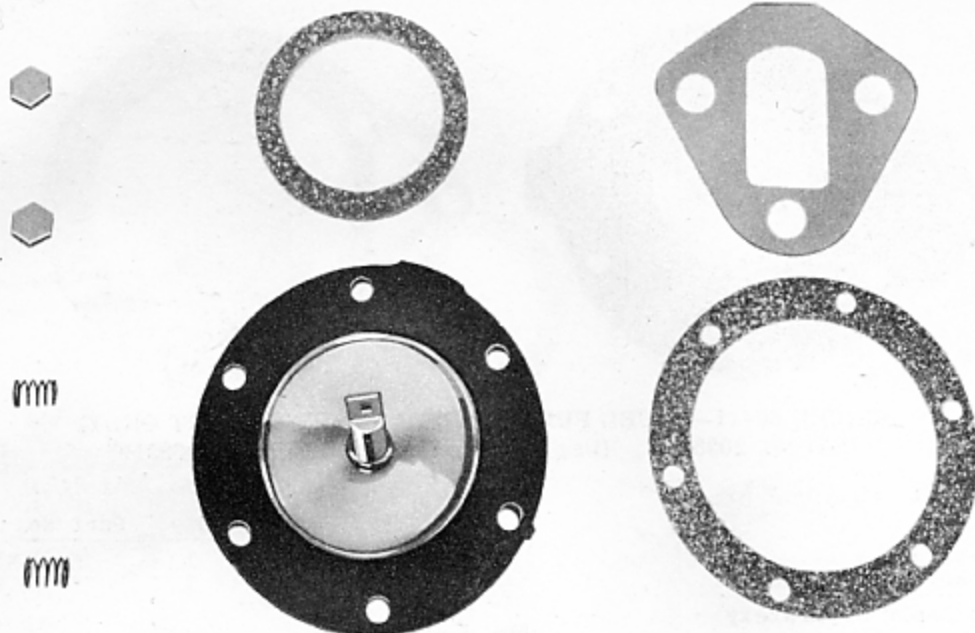


FIGURE 60-13—FUEL PUMP DIAPHRAGM KIT
Part No. 201783 ('47 Model) (Use in Pump Part No. 200281)

This Kit consists of:	Qty.	Part No.		Qty.	Part No.
Gasket, Mounting.....	1	200283	Gasket, Diaphragm.....	1	*
Gasket, Bowl.....	1	200295	Spring, Valve.....	2	*
Valve.....	2	*	Diaphragm.....	1	*

*Not sold separately

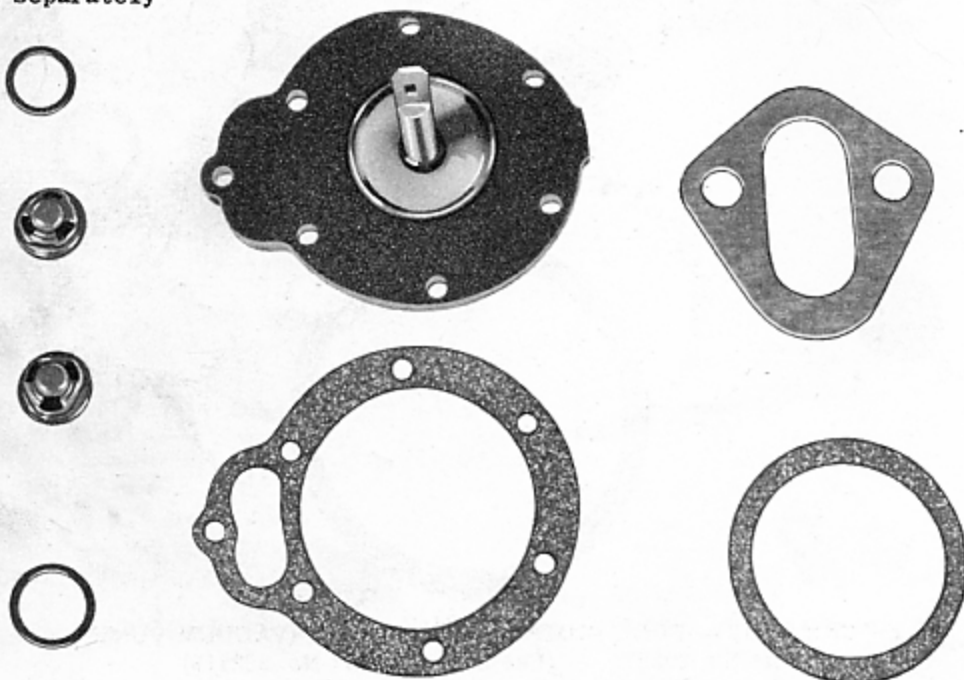


FIGURE 60-14—FUEL PUMP DIAPHRAGM KIT
Part No. 201785 (Use in Pump Part No. 201509 or 201319)

This Kit consists of:	Qty.	Part No.		Qty.	Part No.
Gasket, Bowl.....	1	201578	Valve and Cage.....	2	*
Gasket, Mounting.....	1	200283	Diaphragm.....	1	*
Gasket, Valve.....	2	*	Gasket, Diaphragm.....	1	*

*Not sold separately

GASKET SETS and REPAIR KITS

60-3

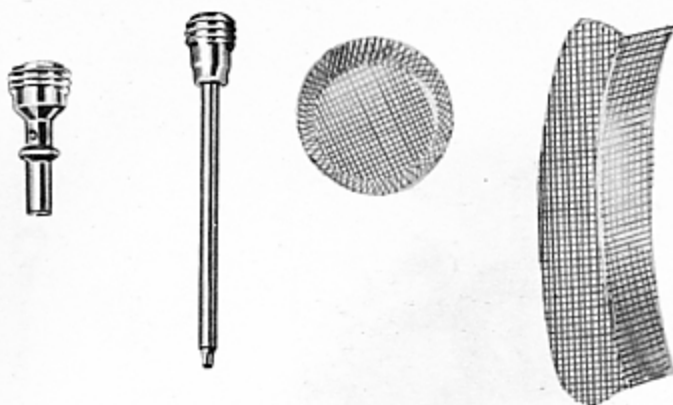


FIGURE 60-15—CARBURETOR REPAIR KIT
 Part No. 201752 ('47 Model) (Use in Carter Carburetor No. WA1-610S)

This Kit consists of:

	Qty.	Part No.
Strainer, Accelerator Pump.....	1	201703
Screen, Climatic Control Housing.....	1	201658
Jet, Pump.....	1	201713
Jet, Low Speed.....	1	201692

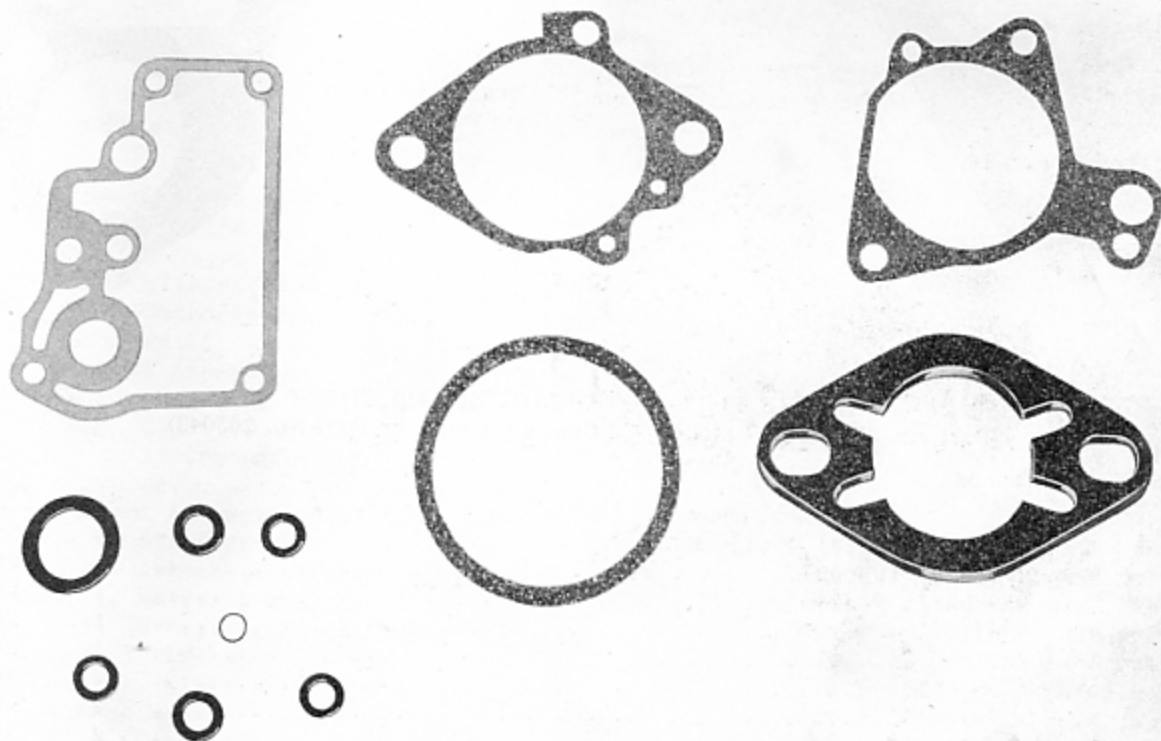


FIGURE 60-16—CARBURETOR GASKET SET
 Part No. 201753 ('47 Model) (Use in Carter Carburetor No. WA1-610S)

This Set consists of:

	Qty.	Part No.		Qty.	Part No.
Gasket, Flange (to Manifold).....	1	200495	Gasket, Main Discharge Nozzle.....	1	201689
Gasket, Float Needleseat.....	2	201679	Gasket, Main Body.....	1	201650
Gasket, Metering Rod Jet..	3	201684	Gasket, Bowl Cover.....	1	201674
Gasket, Bowl Strainer Plug.....	1	201677	Gasket, Throttle Body to Main Body.....	1	201648
			Gasket, Coil Housing.....	1	*

*Not sold separately

GASKET SETS and REPAIR KITS

60-3

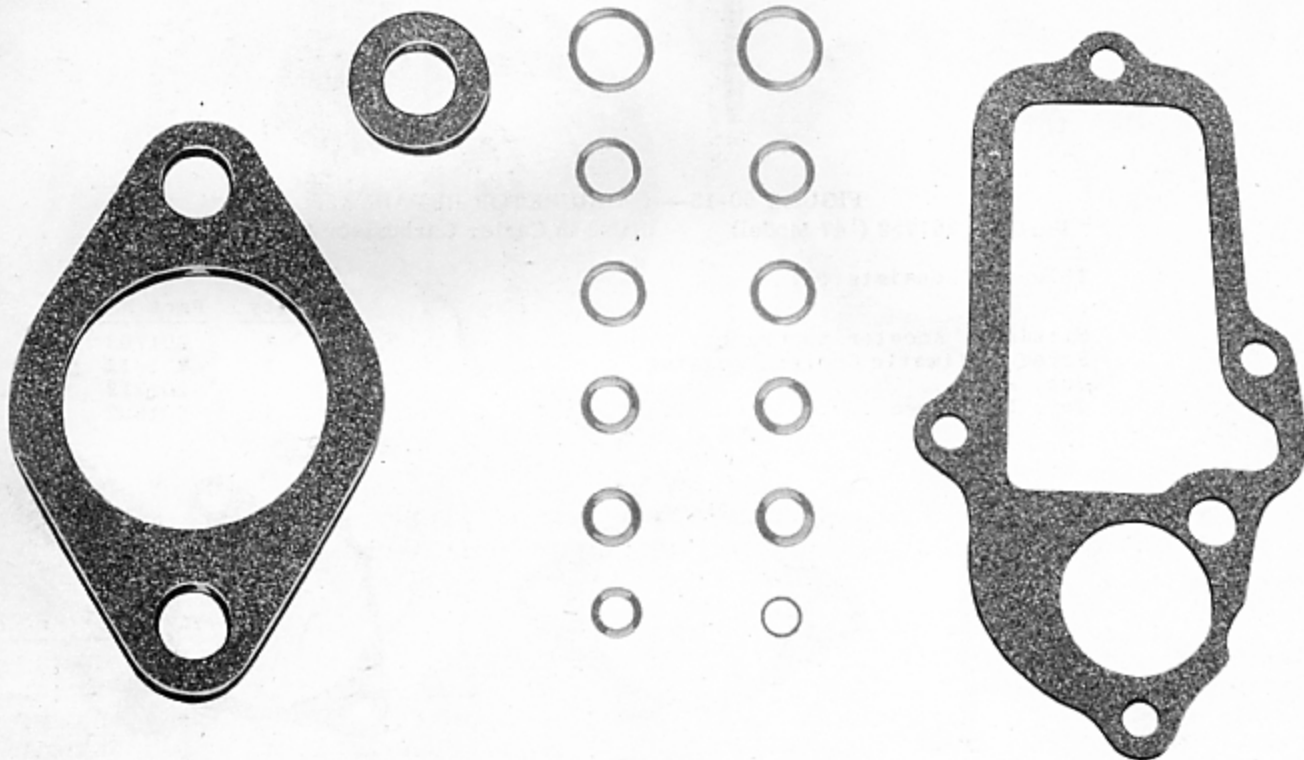


FIGURE 60-17—CARBURETOR GASKET SET
Part No. 203218 ('47 Model) Use in Carburetor Part No. 203043)

This Set consists of:

	Qty.	Part No.
Gasket, Flange (to Manifold).....	1	200437
Gasket, Pump Cylinder (Upper).....	1	203221
Gasket, Main Discharge Nozzle.....	1	201689
Gasket, Air Horn.....	1	203196
Gasket, Bowl Cover.....	1	203231
Washer, Plug (Conical).....	1	203232
Washer, Plug (Conical).....	2	203233
Washer, Plug (Conical).....	2	203234
Washer, Plug (Flat).....	2	203237
Washer, Plug (Flat).....	2	203236
Washer, Plug (Flat).....	1	203235

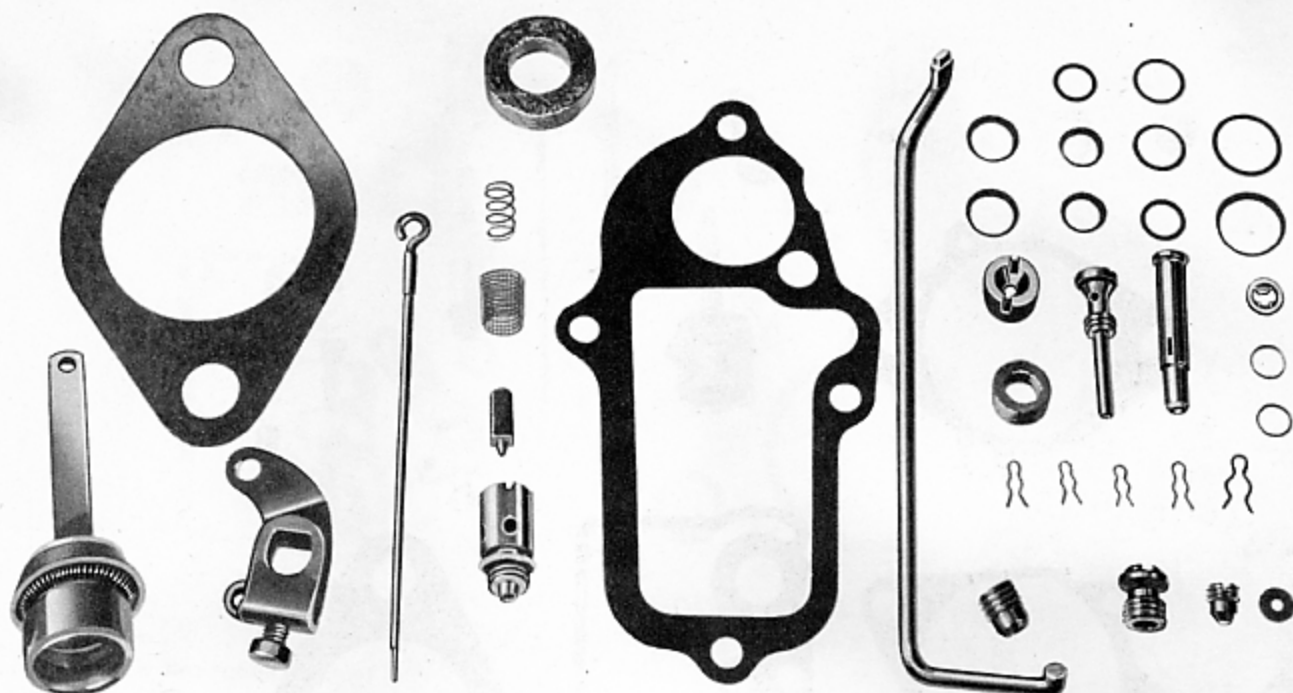


FIGURE 60-18—CARBURETOR REPAIR KIT
Part No. 203219 ('47 Model) (Use in Carburetor Part No. 203043)

This Kit consists of:

	Qty.	Part No.
Gasket, Flange (to Manifold).....	1	200437
Jet Assembly, Low Speed.....	1	203191
Nozzle Assembly.....	1	203194
Gasket, Pump Cylinder (Upper).....	1	203221
Gasket, Main Discharge Nozzle.....	1	201689
Gasket, Air Horn.....	1	203196
Needle and Seat Assembly.....	1	203198
Strainer Bowl.....	1	203242
Jet, Pump.....	1	203200
Spring, Throttle Connector Rod.....	1	201720
Retainer, Spring.....	1	202383
Plunger and Rod Assembly.....	1	203208
Rod, Metering Standard.....	1	203209
Arm and Screw Assembly, Throttle Shaft.....	1	203230
Jet Assembly, Metering Rod.....	1	203215
Gasket, Bowl Cover.....	1	203231
Check Assembly, Intake Disk.....	1	203241
Check Assembly, Discharge Disk.....	1	204115
Disk, Metering Rod.....	1	203216
Washer, Plug (Conical).....	1	203232
Washer, Plug (Conical).....	2	203233
Washer, Plug (Conical).....	2	203234
Washer, Plug (Flat).....	2	203237
Washer, Plug (Flat).....	2	203236
Washer, Plug (Flat).....	1	203235
Pin, Metering Rod.....	3	201687
Pin, Metering Rod Retainer.....	1	203217
Packing, Felt.....	1	203250
Rod, Throttle Connector.....	1	203212

GASKET SETS and REPAIR KITS

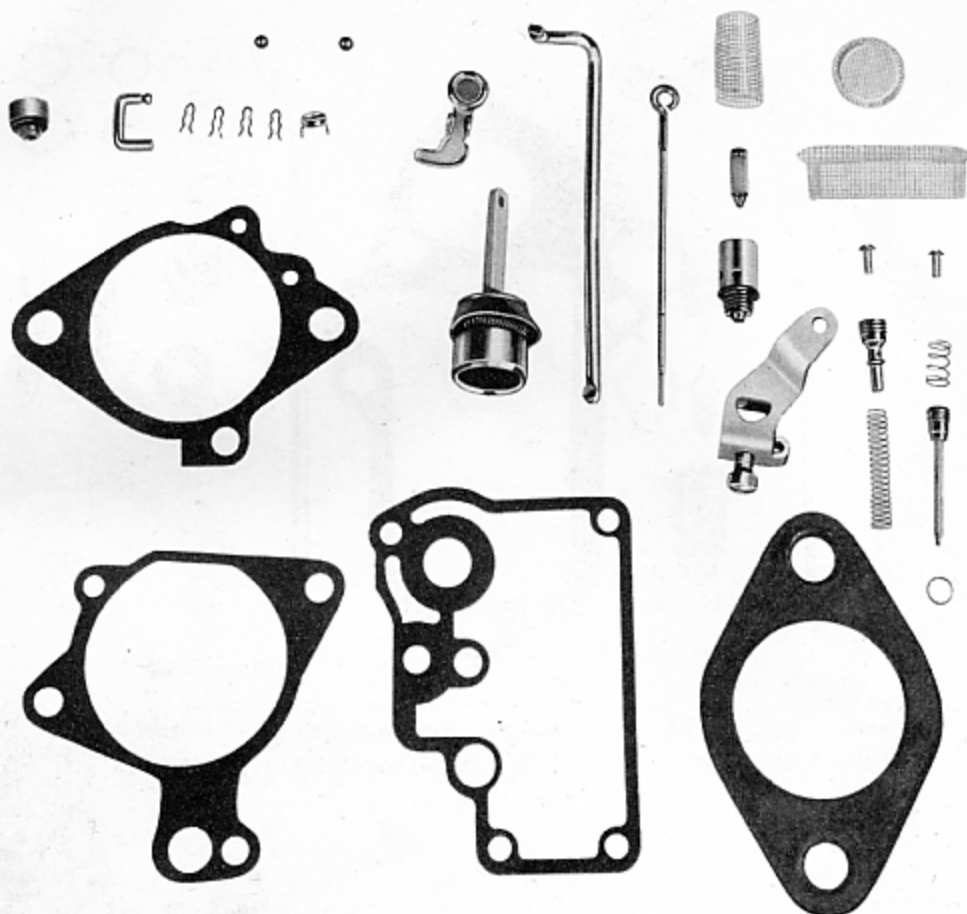


FIGURE 60-19—CARBURETOR REPAIR KIT
Part No. 204105 (Use in Carburetor Part No. 202382)

This Kit consists of:

	Qty.	Part No.		Qty.	Part No.
Jet Assembly, Low Speed...	1	204106	Rod, Metering.....	1	204107
Gasket, Main Discharge			Arm and Screw Assembly,		
Nozzle.....	1	201689	Throttle Shaft.....	1	201717
Nozzle and Seat			Rod, Throttle Connector...	1	201716
Assembly (Float).....	1	202372	Ball, Accelerator		
Gauze, Bowl Strainer.....	1	201675	Pump Check.....	2	201704
Strainer, Piston Housing..	1	201658	Link, Pump.....	1	201744
Strainer, Accelerating			Jet and Gasket Assembly,		
Pump.....	1	201703	Metering Rod.....	1	201737
Screw, Throttle Valve			Gasket, Main Body.....	1	201650
Attaching.....	2	201645	Gasket, Bowl Cover.....	1	201674
Jet, Pump.....	1	201748	Gasket, Throttle Body		
Spring, Throttle Connect			to Main Body.....	1	201648
Connector Rod.....	1	201720	Pin, Metering Rod		
Spring, Vacuum Piston.....	1	201749	Retaining.....	1	201687
Retainer, Throttle			Arm and Cap Assembly,		
Connector Rod Spring.....	1	202383	Anti-Percolator Rocker...	1	201697
Plunger and Rod			Gasket, Flange		
Assembly, Accelerator....	1	201742	(to Manifold).....	1	200437

GASKET SETS and REPAIR KITS

60-3

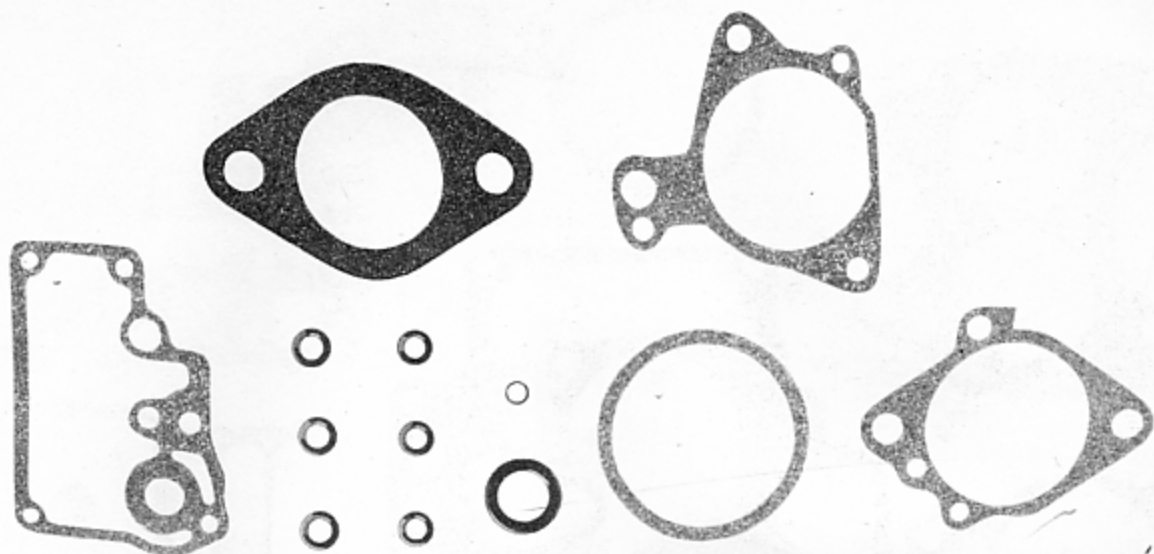


FIGURE 60-20—CARBURETOR GASKET SET
Part No. 201756 (Use in Carburetor Part No. 202382)

This Set consists of:	Qty.	Part No.		Qty.	Part No.
Gasket, Flange (to Manifold).	1	200437	Gasket, Main Body.....	1	201650
Gasket, Float Needle Seat....	3	201679	Gasket, Bowl Cover.....	1	201674
Gasket, Metering Rod Jet....	3	201684	Gasket, Throttle Body to		
Gasket, Bowl Strainer Plug...	1	201677	Main Body.....	1	201648
Gasket, Main Discharge Nozzle	1	201689	Gasket, Coil Housing.....	1	*

*Not sold separately

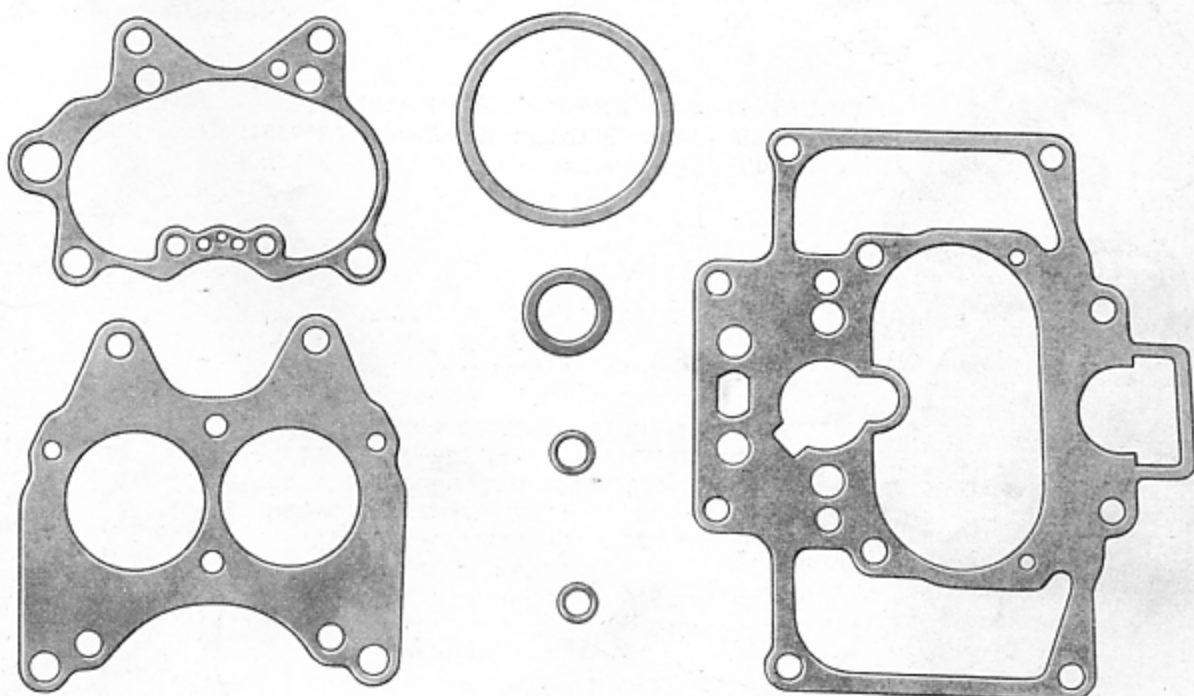


FIGURE 60-21—CARBURETOR GASKET SET
Part No. 203849 (Use in Carburetor Part No. 203354)

This Set consists of:	Qty.	Part No.		Qty.	Part No.
Gasket, Needle Seat.....	1	201679	Gasket, Coil Housing.....	1	203821
Gasket, Pump Discharge			Gasket, Body Flange.....	1	203799
Passage Plug.....	1	201684	Gasket, Air Horn.....	1	203800
Gasket, Bowl Strainer Nut.	1	201677	Gasket, Bowl Cover.....	1	203801

GASKET SETS and REPAIR KITS

60-3

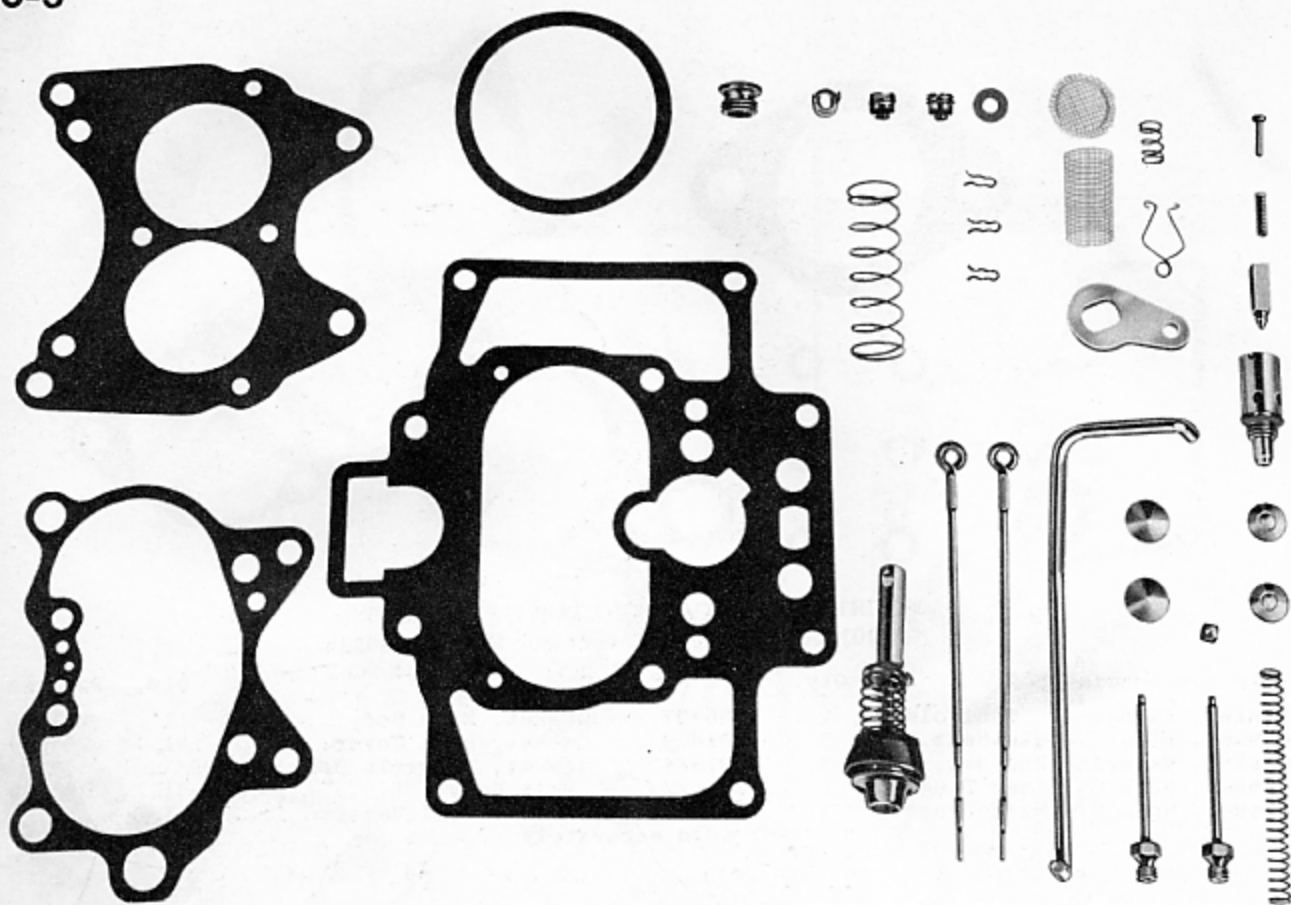


FIGURE 60-22—CARBURETOR REPAIR KIT
Part No. 203850 (Use in Carburetor Part No. 203354)

This Kit consists of:

	Qty.	Part No.
Jet Assembly, Low Speed.....	2	203759
Rivet Plug, Idler Port.....	2	201724
Plug, Nozzle Passage.....	2	203761
Check Needle, Pump Discharge.....	1	203811
Needle and Seat Assembly.....	1	203768
Strainer, Bowl Cover.....	1	201675
Strainer, Pump.....	1	203769
Spring, Connector Rod.....	1	201720
Spring, Metering Rod.....	1	203773
Spring, Pump (Lower).....	1	203776
Spring, Vacuum Piston.....	1	203777
Retainer, Connector Rod Spring.....	1	202383
Spring and Retainer Assembly, Pump Plunger Rod.....	1	203782
Rod, Metering (Std.).....	2	203783
Dog, Throttle Lever.....	1	203793
Connector Rod, Throttle.....	1	203819
Jet and Gasket Assembly, Metering Rod.....	2	203798
Gasket, Coil Housing.....	1	203821
Gasket, Body Flange.....	1	203799
Gasket, Air Horn.....	1	203800
Gasket, Bowl Cover.....	1	203801
Disk Check Assembly, Intake.....	1	203803
Washer, Connector Rod.....	1	203804
Pin Spring.....	3	201687

GASKET SETS and REPAIR KITS

60-5

60-6

FACTORY APPROVED AND INSPECTED

GASKET SET—MANIFOLD (DUAL)
PART NO. 204502

DO NOT FOLD OR BEND

PARTS



ACCESSORIES

CONSISTS OF:

- 1 EXHAUST GASKET—EXHAUST & INTAKE MANIFOLD TO BLOCK
- 1 INTAKE GASKET—EXHAUST TO INTAKE MANIFOLD
- 1 EXHAUST GASKET—EXHAUST MANIFOLD TO EXHAUST PIPE
- 1 INTAKE GASKET—CARBURETOR TO INTAKE MANIFOLD

KAISER-FRAZER SALES CORPORATION · KAISER-FRAZER CORPORATION · WILLOW RUN, MICHIGAN, U.S.A.

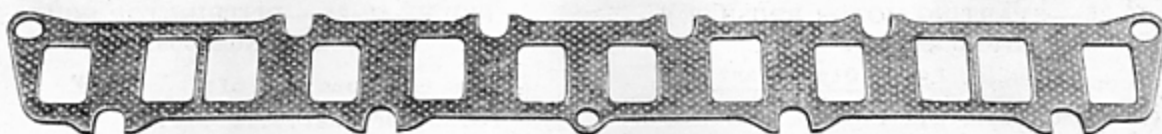


FIGURE 60-23—MANIFOLD GASKET SET (DUAL MANIFOLD SHOWN)
Part No. 204502 (Dual) Part No. 204501 (Single)

These Sets consist of:

	Qty.	Part No. (Dual)	Part No. (Single)
Gasket, Exhaust and Intake Manifold to Block.....	1	200279	200279
Gasket, Exhaust to Intake Manifold.....	1	203376	200319
Gasket, Exhaust Manifold to Exhaust Pipe.....	1	201852	201852
Gasket, Carburetor to Intake Manifold.....	1	203355	200437

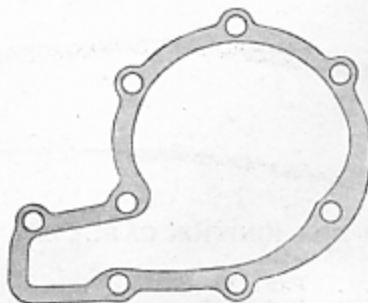


FIGURE 60-24—WATER PUMP REPAIR KIT Part No. 204484

This Kit consists of:	Qty.	Part No.		Qty.	Part No.
Hub, Fan Pulley.....	1	200146	Impeller, Water Pump		
Shaft, Drive			(incl. Seal and Washer)...	1	202823
(incl. Bearing and Sleeve)	1	202822	Gasket, Water Pump Cover....	1	200157
Ring, Snap.....	1	200154	Gasket, Water Pump to Block.	1	200148

GASKET SETS and REPAIR KITS

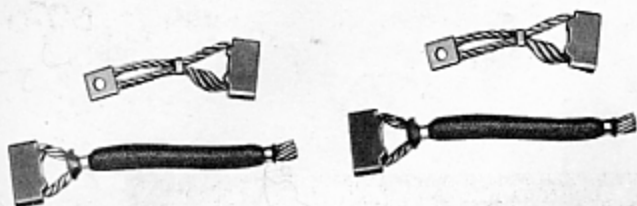


FIGURE 60-25—STARTING MOTOR BRUSH SET
Part No. 201406

This Set consists of:	Qty.	Part No.
Brush, Grounded.....	1	*
Brush, Insulated.....	1	*

*Not sold separately



FIGURE 60-26—DISTRIBUTOR POINT SET
Part No. 200953

This Set consists of:	Qty.	Part No.
Point, Breaker.....	2	*
Arm, Breaker.....	2	*

*Not sold separately

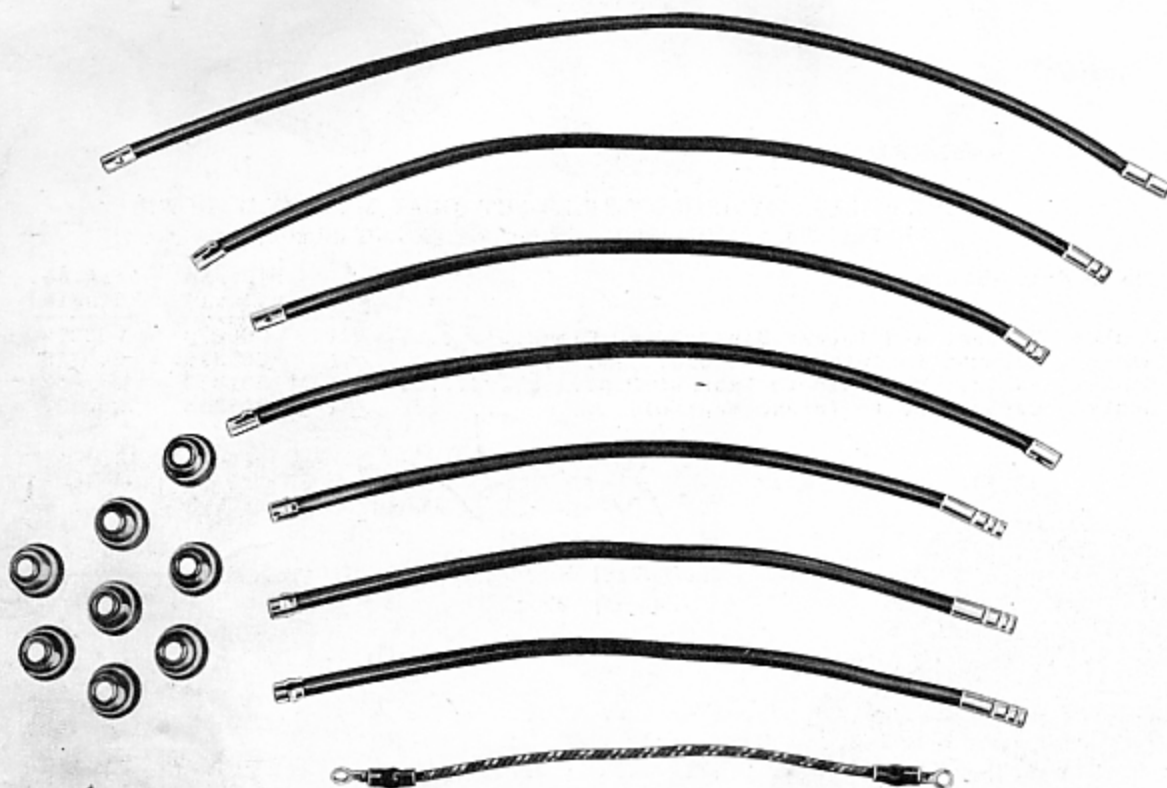


FIGURE 60-27—IGNITION CABLE SET Part No. 206404

This Set consists of:	Qty.	Part No.	Qty.	Part No.
Cable, Primary (Low Tension).....	1	200802	Cable, Spark Plug, No. 2..	1 200797
Cable, Secondary (High Tension).....	1	205325	Cable, Spark Plug, No. 3..	1 200798
Cable, Spark Plug, No. 1..	1	200796	Cable, Spark Plug, No. 4, 5 and 6.....	3 200799
			Nipple.....	8 201171

FIGURE 60-28—GENERATOR BRUSH SET
Part No. 201440 (35 Amp.) Part No. 205857 (45 Amp.)

These Sets consist of:	(35 Amp.) Qty.	(35 Amp.) Part No.	(45 Amp.) Part No.
Brush, Grounded Main...	1	*	*
Brush, Insulated Main..	1	*	*

*Not sold separately

GASKET SETS and REPAIR KITS

60-9

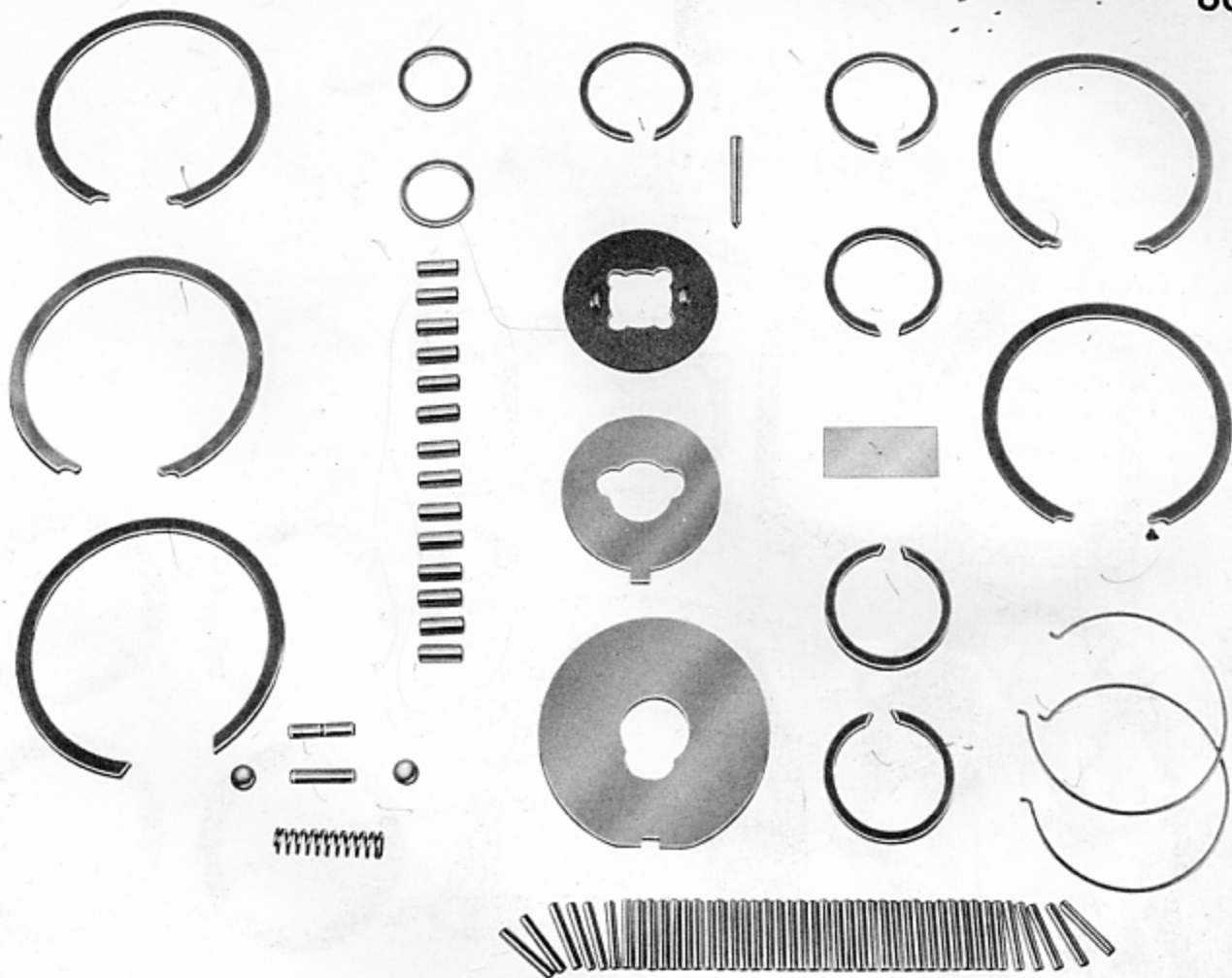


FIGURE 60-29—TRANSMISSION SMALL PARTS REPAIR KIT
Part No. 206536

This Kit consists of:

	Qty.	Part No.
Snap Ring, Second and High Synchronizer Hub.....	2	201297
Snap Ring, (Second and High Synchronizer) (Drive Pinion Bearing) .086".....	2	201282
Snap Ring, Drive Pinion Bearing, .092".....	1	201284
Snap Ring, Drive Pinion Bearing, .095".....	1	201285
Snap Ring, Drive Pinion Bearing, .0625".....	1	201286
Snap Ring, Drive Pinion .089".....	1	201283
Washer, Counter Shaft Gear Bearing.....	2	201319
Lockplate, Reverse Idler Gear Shaft.....	1	201323
Snap Ring, Main Shaft Bearing, .086".....	1	201302
Snap Ring, Main Shaft Bearing, .089".....	1	201303
Snap Ring, Main Shaft Bearing, .092".....	1	201304
Snap Ring, Main Shaft Bearing, .095".....	1	201305
Pin, Shifting Lever Poppet Ball.....	1	203076
Pin, Shifting Lever Poppet Ball.....	1	204846
Pin, Taper.....	2	201327
Ball, Shifting Lever Poppet.....	2	201329
Thrustwasher, Counter Shaft Gear, Front.....	1	201314
Thrustwasher, Counter Shaft Gear, Rear.....	1	201315
Thrustwasher, Counter Shaft Gear, Rear.....	1	201316
Bearing, Main Shaft Roller.....	14	201292
Bearing, Counter Shaft Roller.....	44	201317
Spring, Shifting Lever Poppet Ball.....	1	201330

GASKET SETS and REPAIR KITS

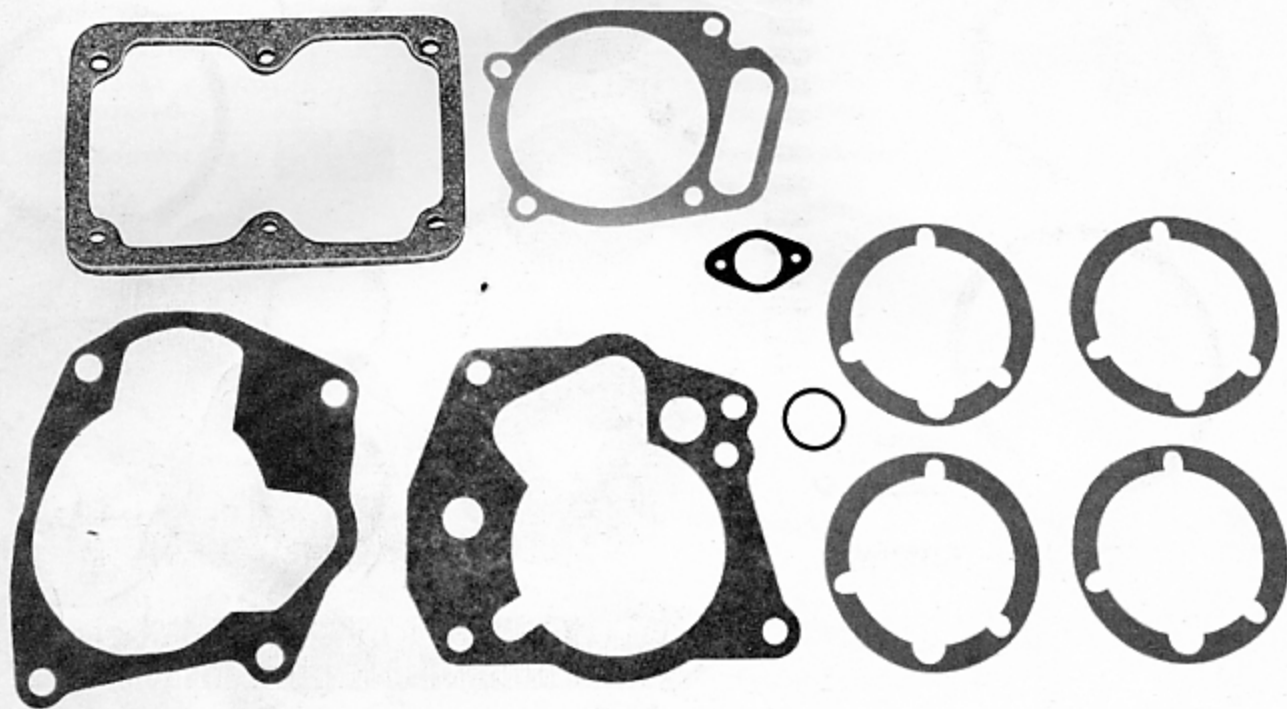


FIGURE 60-30—TRANSMISSION GASKET SET
Part No. 206537

This Set consists of:

	<u>Qty.</u>	<u>Part No.</u>
Gasket, Transmission Case Cover.....	1	201275
Gasket, Transmission Drive Bearing Retainer, .009"...	1	201278
Gasket, Transmission Drive Bearing Retainer, .0135"...	1	201279
Gasket, Transmission Drive Bearing Retainer, .018"...	1	201280
Gasket, Transmission Drive Bearing Retainer, .025"...	1	201281
Gasket, Main Shaft Bearing Retainer.....	1	201309
Gasket, Speedometer Cable.....	1	200923
Gasket, Overdrive Housing to Adapter.....	1	200895
Gasket, Transmission Overdrive Housing.....	1	201310
Gasket, Shift Fork Rail Switch.....	1	200918

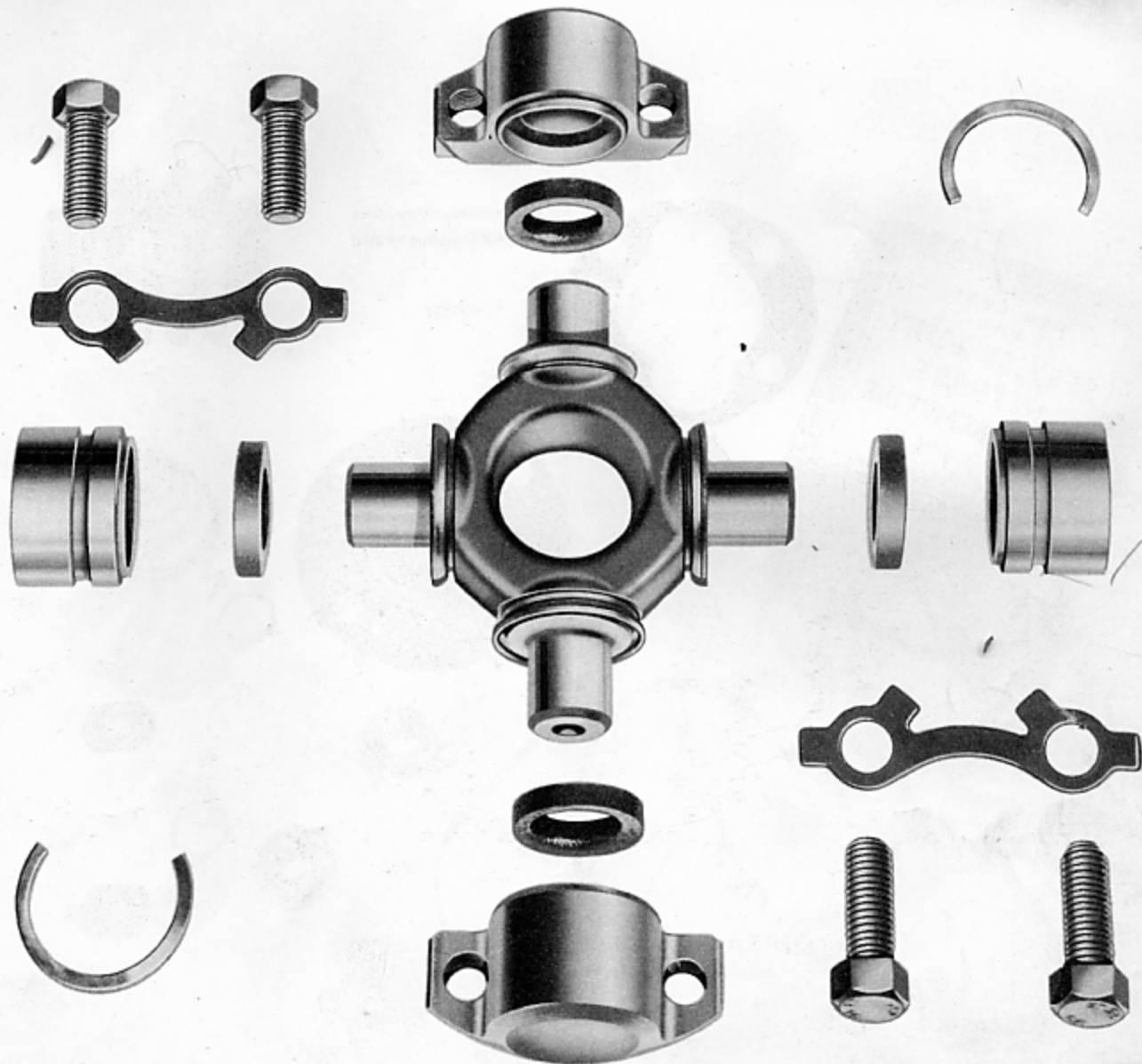


FIGURE 60-31—UNIVERSAL JOINT CROSS AND BEARING KIT
Part No. 201033 ('47 - '48 Models)

This Kit consists of:

	Qty.	Part No.
Spider Assembly.....	1	*
Bearing.....	2	*
Bearing.....	2	*
Cork Washer.....	4	201034
Bolt.....	4	201020
Lockplate.....	2	201021
Snap Ring.....	2	201035

*Not sold separately

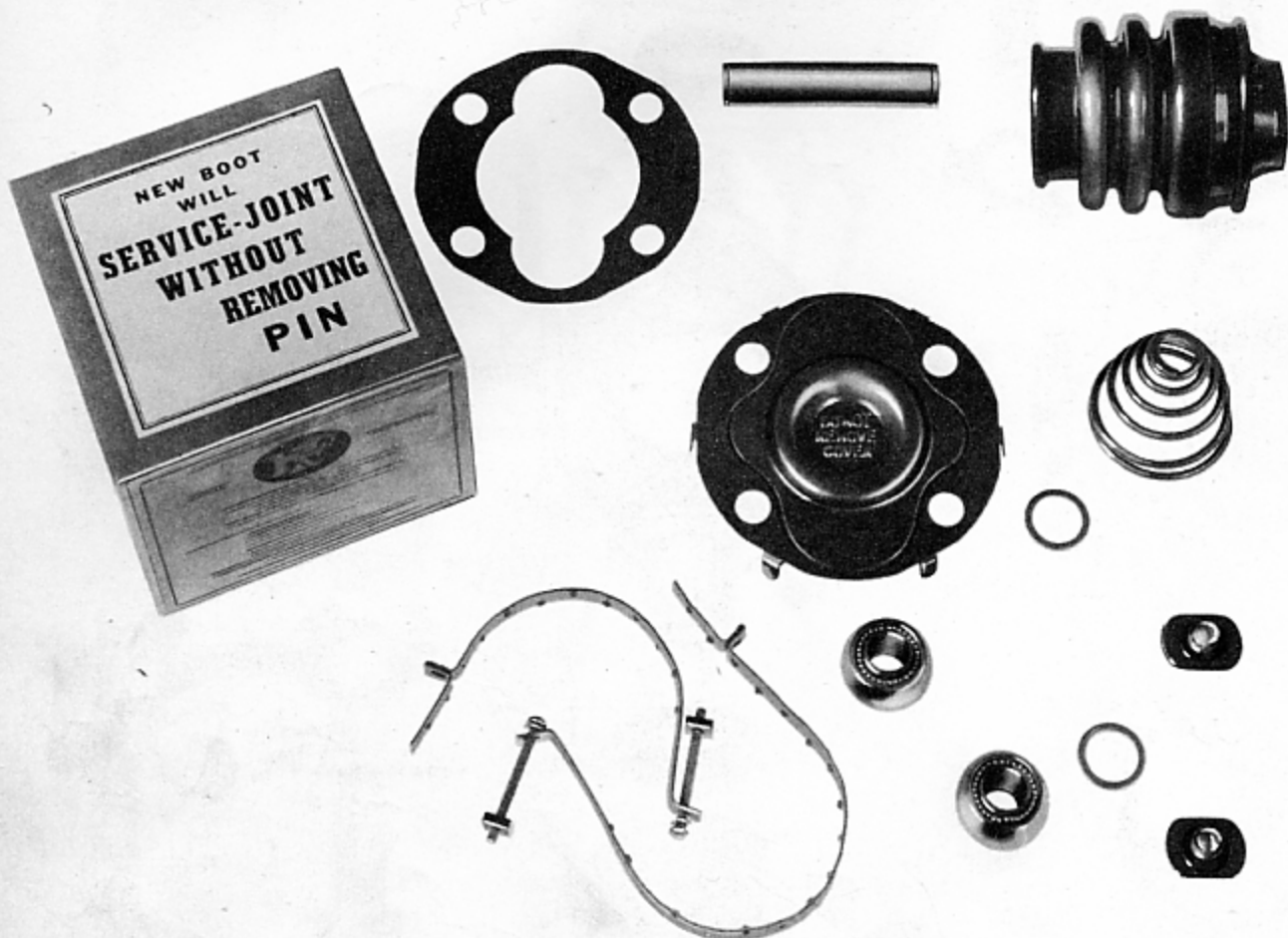


FIGURE 60-32—UNIVERSAL JOINT REPAIR KIT
Part No. 201775

This Kit consists of:

	Qty.	Part No.
Cover and Clamp, Dust.....	1	201765
Pin.....	1	201767
Thrustwasher.....	2	201768
Ball and Roller Assembly.....	2	201769
Button and Spring Assembly.....	2	201770
Spring.....	1	201772
Gasket.....	1	201773
Cover.....	1	201774

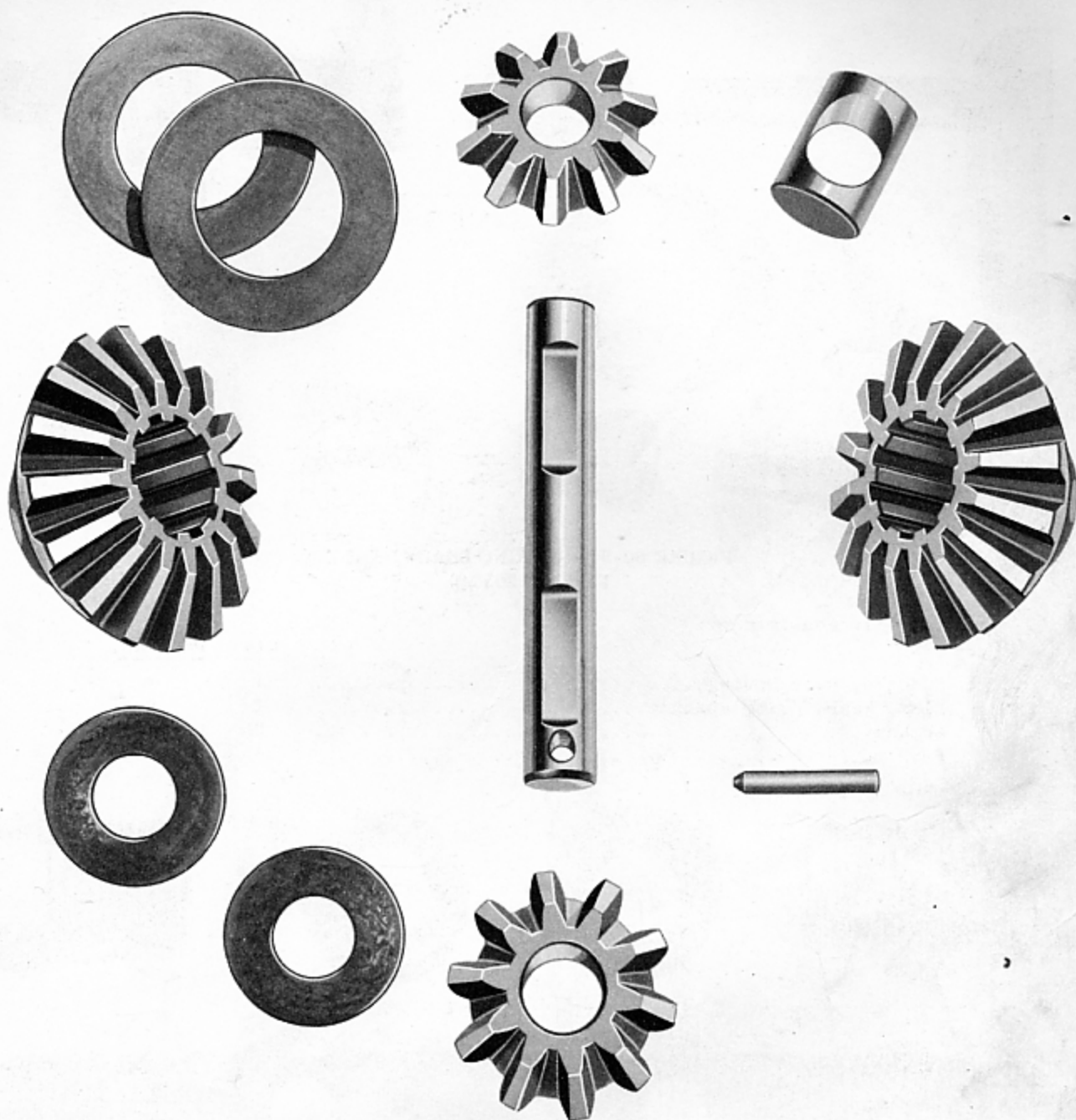


FIGURE 60-33—DIFFERENTIAL SIDE GEAR AND PINION KIT
Part No. 202052

This Kit consists of:

	Qty.	Part No.
Gear, Differential Side.....	2	*
Gear, Differential Pinion.....	2	*
Thrustwasher, Differential Side Gear.....	2	200309
Thrustwasher, Differential Pinion.....	2	200401
Shaft, Differential Pinion Gear.....	1	200402
Lockpin, Differential Pinion Shaft.....	1	200403
Spacer, Axle Shaft.....	1	200377

*Not sold separately

GASKET SETS and REPAIR KITS

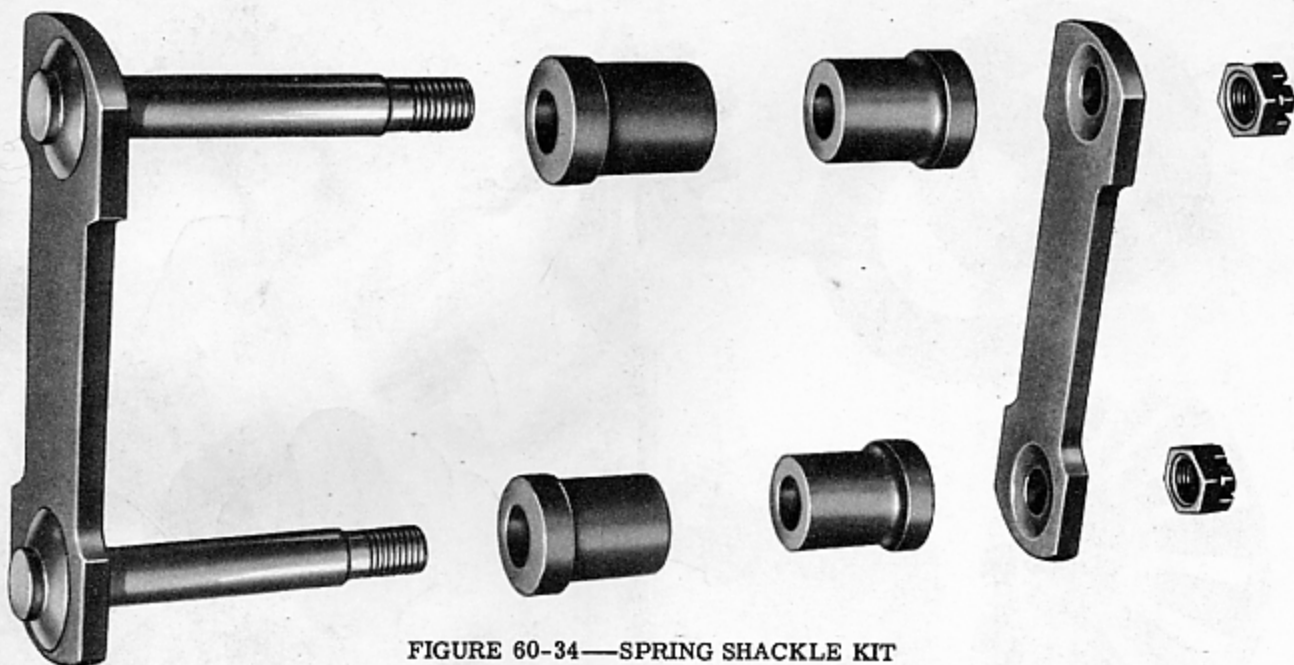


FIGURE 60-34—SPRING SHACKLE KIT
Part No. 205746

This Kit consists of:

	<u>Qty.</u>	<u>Part No.</u>
Shackle, Rear Spring.....	1	*
Link, Rear Spring Shackle.....	1	*
Locknut.....	2	200432
Bushing (Rubber).....	4	204361

*Not sold separately

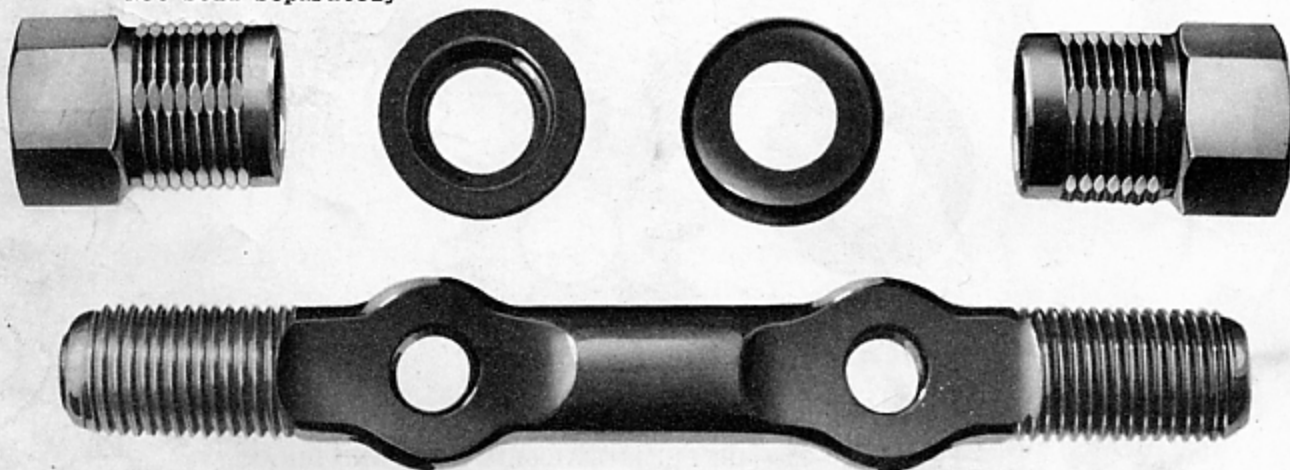


FIGURE 60-35—FRONT SUSPENSION UPPER ARM PIVOT KIT, INNER
Part No. ~~202052~~ 205780

This Kit consists of:

	<u>Qty.</u>	<u>Part No.</u>
Bushing, Inner Pivot.....	2	201100
Seal, Inner Pivot.....	2	201101
Pivot, Inner.....	1	*

*Not sold separately

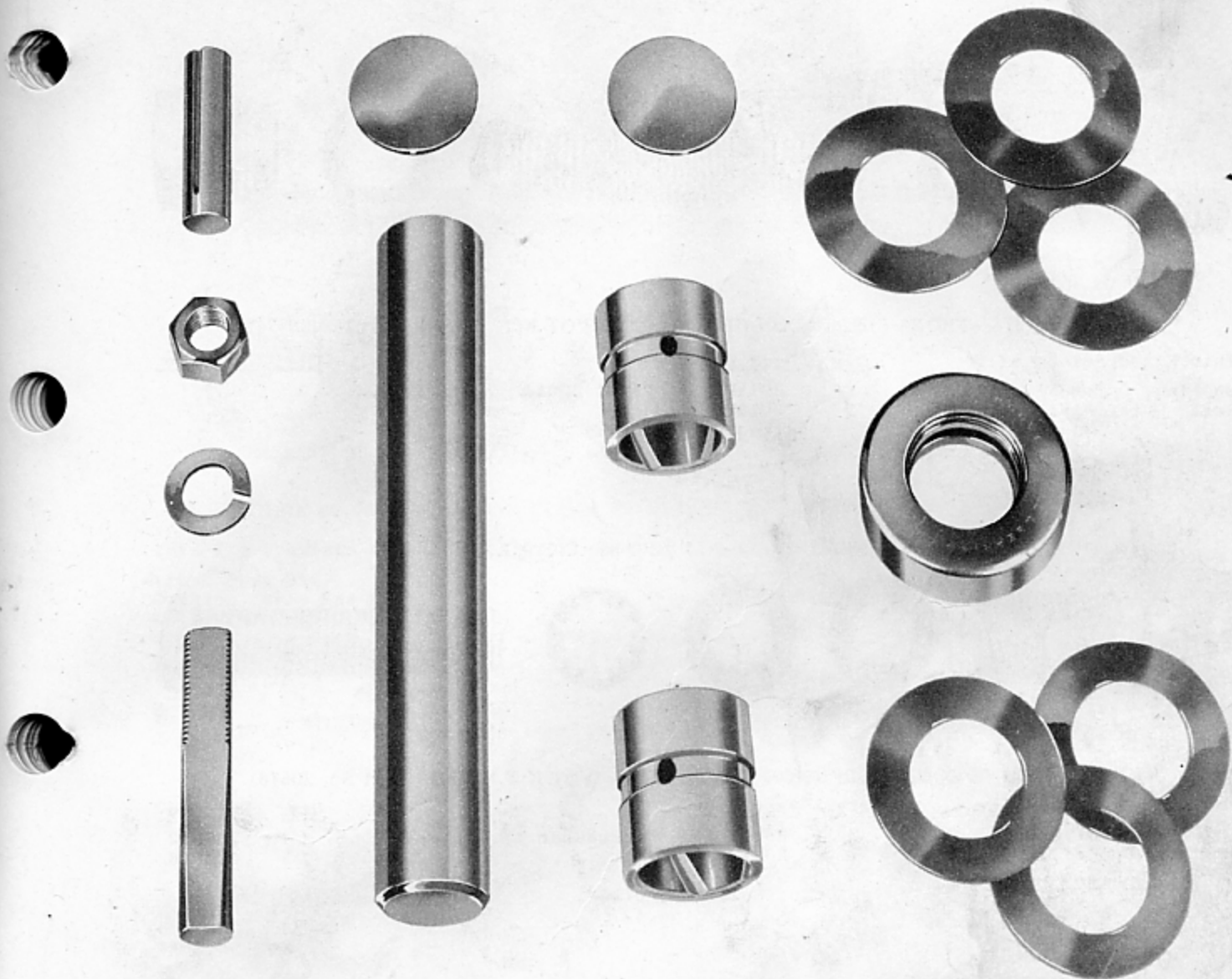


FIGURE 60-36—KING PIN KIT
 Floating Bushing Type-Part No. 205777
 Press-in Bushing Type-Part No. 205778 ('47.-'48 Models)

These Kits consist of:

	Qty.	Part No. Floating	Part No. Press-in
Kingpin.....	1	201130	201130
Bearing, Thrust.....	1	201133	201133
Shim, Thrust Bearing, .003".....	3	201134	201134
Shim, Thrust Bearing, .010".....	3	201135	201135
Bushing, King Pin.....	2	203515	203032
Lockpin.....	1	203003	203003
Lockpin.....	1	202707	202707
Lockwasher.....	1	192	192
Nut.....	1	188	188
Plug, Expansion.....	2	476	476

GASKET SETS and REPAIR KITS



FIGURE 60-37—FRONT SUSPENSION UPPER ARM PIVOT KIT, OUTER Part No. 205779

This Kit consists of:		Qty.	Part No.		Qty.	Part No.
Bushing, Outer Pivot.....	2	201122	Pivot, Outer.....	1	*	
Seal, Outer Pivot.....	2	201123				

* Not sold separately



FIGURE 60-38—FRONT SUSPENSION LOWER ARM PIVOT KIT, OUTER Part No. 205781

This Kit consists of:		Qty.	Part No.		Qty.	Part No.
Seal, Outer Pivot.....	2	201127	Lockwasher.....	1	203612	
Bushing, Outer Pivot.....	1	201126	Nut.....	1	203876	
Pivot, Outer.....	1	*				

*Not sold separately

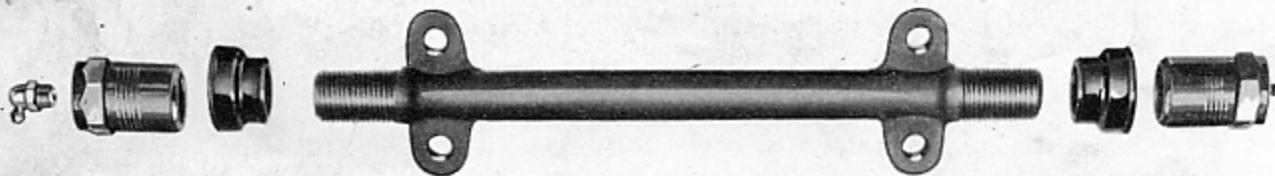


FIGURE 60-39—FRONT SUSPENSION LOWER ARM PIVOT KIT, INNER Part No. 205782

This Kit consists of:		Qty.	Part No.		Qty.	Part No.
Seal, Inner Pivot.....	1	201109	Pivot, Inner.....	1	*	
Bushing, Inner Pivot.....	1	201108	Fitting.....	1	202139	
Bushing, Inner Pivot.....	1	204353				

*Not sold separately

GASKET SETS and REPAIR KITS

60-13

60-14

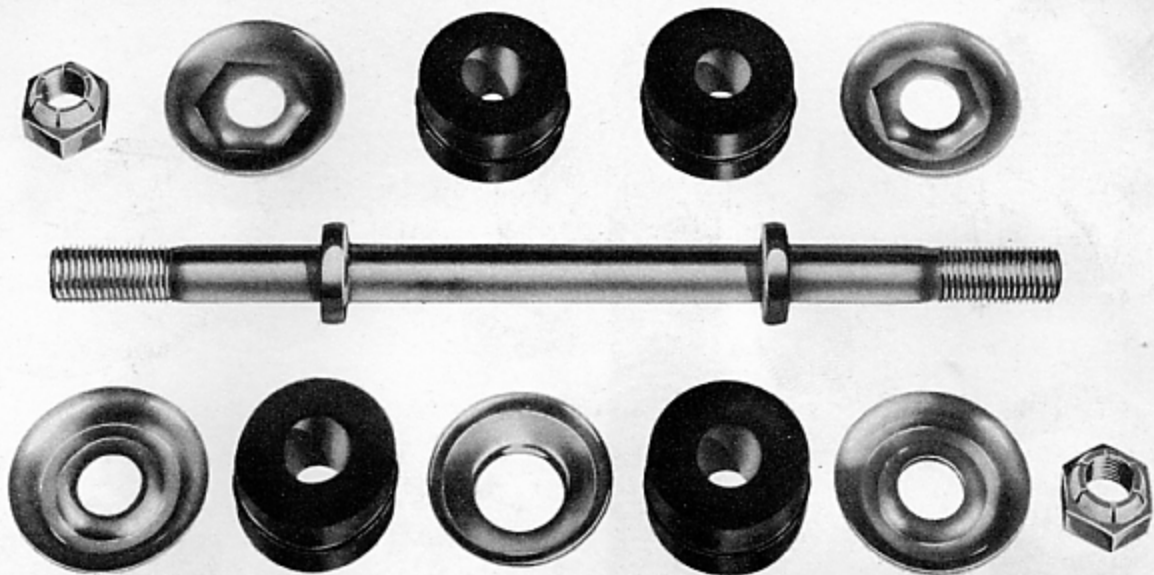


FIGURE 60-40—SWAY BAR ELIMINATOR LINK KIT Part No. 206085 ('47 -'48 MODELS)

This Kit consists of:	Qty.	Part No.		Qty.	Part No.
Link, Sway Bar.....	1	*	Retainer.....	1	201118
Cushion, Sway Bar Link.....	4	201014	Locknut.....	2	202257
Retainer.....	4	201015			

*Not sold separately

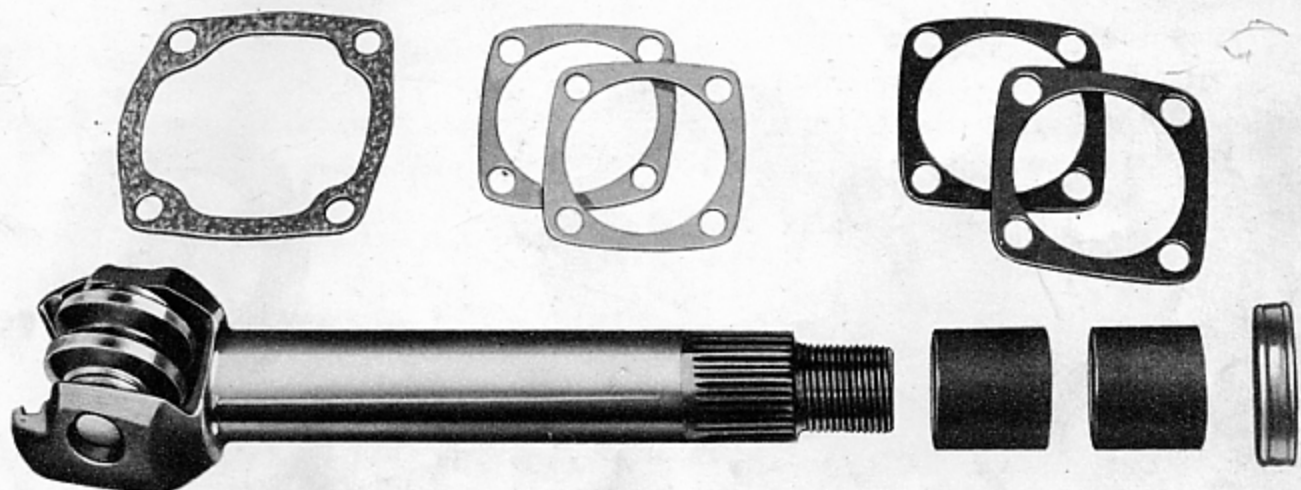


FIGURE 60-41—STEERING GEAR SHAFT AND BUSHING KIT (No. 3 GEAR SHOWN)
 Part No. 206405 No. 1 Gear ('47 Model) Part No. 206406 No. 2 Gear ('47 Model)
 Part No. 206407 No. 3 Gear ('49 Model)

These Kits consist of:	Qty.	('47 Model)	('47 Model)	('49 Model)
		No. 1 Gear	No. 2 Gear	No. 3 Gear
Shaft and Roller.....	1	201195	202851	202759
Oil Seal.....	1	201197	202852	201197
Bushing.....	2	201196	202849	201196
Gasket, Shaft Cover.....	1	201203	201203	201203
Shim, .002".....	2	201190	201190	201190
Shim, .005".....	2	201191	201191	201191

GASKET SETS and REPAIR KITS

60-14



FIGURE 60-42—IDLER LEVER PIN AND BUSHING KIT
Part No. 205784

This Kit consists of:

	Qty.	Part No.
Bushing, Idler Lever, Upper.....	1	201233
Bushing, Idler Lever, Lower.....	1	201234
Seal, Idler Lever.....	2	201232
Lockwasher.....	1	192
Nut.....	1	188
Washer, Bushing.....	2	202094
Lockpin.....	1	203002
Lockplate.....	1	203944
Pin, Idler.....	1	201231

GASKET SETS and REPAIR KITS

60-14

60-15

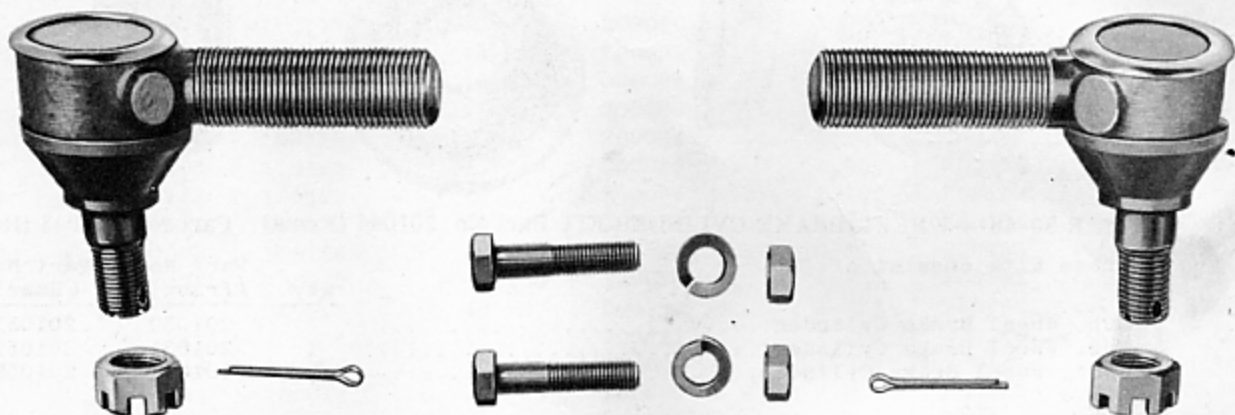


FIGURE 60-43—TIE ROD KIT Part No. 205783

This Kit consists of:	Qty.	Part No.		Qty.	Part No.
End, Tie Rod, R.H. Thread..	1	201236	Nut, Clamp Bolt.....	2	189
End, Tie Rod, L.H. Thread..	1	201237	Bolt, Clamp.....	2	201222
Cotter Pin.....	2	480	Lockwasher.....	2	191

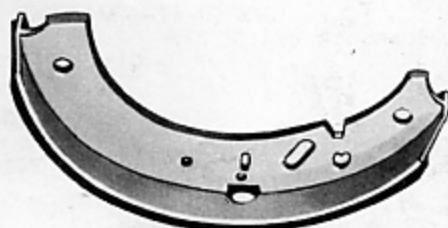


FIGURE 60-44—BRAKE SHOE SET Part No. 200180 (Std.)

Part No. 203090 (.030" Oversize)

These Sets consist of:

	Qty.	Part No. (Std.)	Part No. (.030")
Brake Shoe and Lining Assembly, Forward.....	2	*	*
Brake Shoe and Lining Assembly, Reverse.....	2	*	*

*Not sold separately

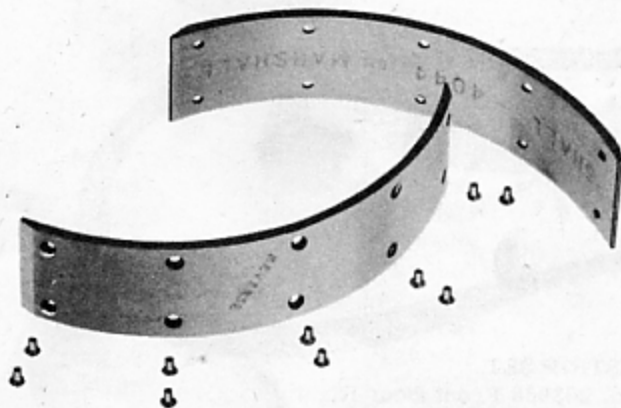


FIGURE 60-45 —BRAKE LINING SET Part No. 200181 (Std.)

Part No. 203091 (.030" Oversize)

These Sets consist of:

	Qty.	Part No. (Std.)	Part No. (.030")
Lining, Brake Shoe, Forward.....	2	*	*
Lining, Brake Shoe, Reverse.....	2	*	*
Rivets.....	44	*	*

*Not sold separately

GASKET SETS and REPAIR KITS

60-15

60-30

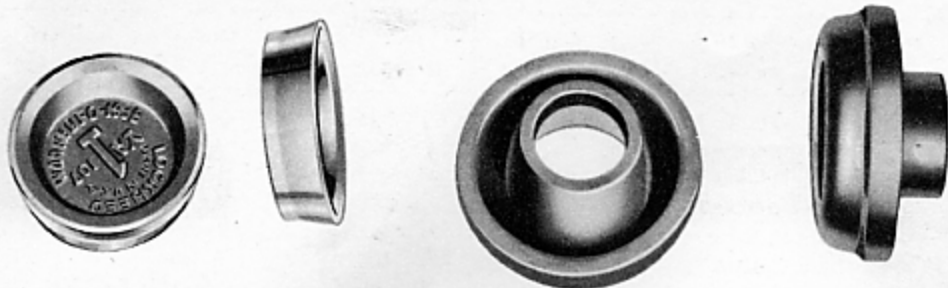


FIGURE 60-46—WHEEL BRAKE CYLINDER KIT Part No. 201044 (Front) Part No. 201043 (Rear)

These Kits consist of:

	Qty.	Part No. (Front)	Part No. (Rear)
Cup, Wheel Brake Cylinder.....	1	201052	201051
Cup, Wheel Brake Cylinder.....	1	201051	201051
Boot, Wheel Brake Cylinder.....	2	201617	201053



FIGURE 60-47—MASTER BRAKE CYLINDER KIT Part No. 203338

This Kit consists of:

	Qty.	Part No.		Qty.	Part No.
Piston Assembly, Master Cylinder.....	1	203335	Boot, Master Cylinder.....	1	203337
Retainer, Piston			Valve, Master Cylinder....	1	201622
Stop Plate.....	1	201627	Cup, Primary.....	1	201624

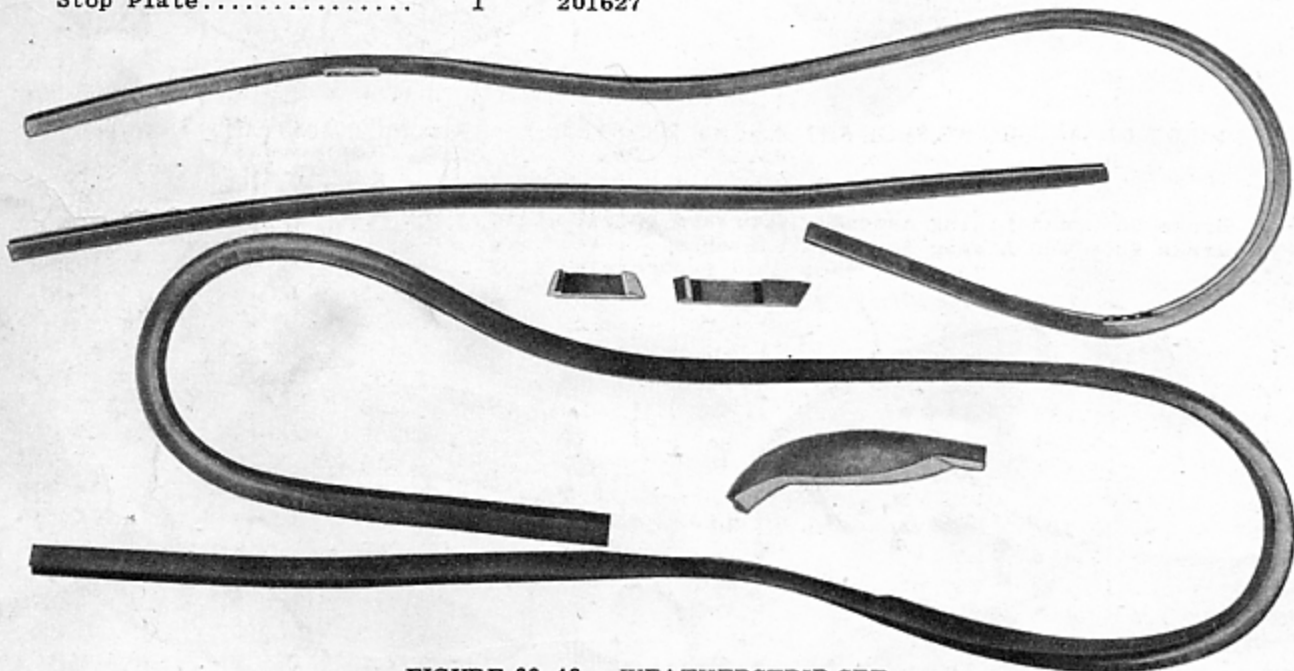


FIGURE 60-48—WEATHERSTRIP SET

Part No. 203969 Front Door Left Part No. 203968 Front Door Right
Part No. 203974 Rear Door Left Part No. 203973 Rear Door Right

These Sets consist of:

	Qty.	Part No. Front Lt.	Part No. Front Rt.	Part No. Rear Lt.	Part No. Rear Rt.
Weatherstrip, Upper and Lock Pillar..	1	205492	205491	205492	205491
Weatherstrip, Bottom.....	1	203972	203972	203978	203978
Weatherstrip, Hinge Pillar, Upper....	1	202400	202396		
Weatherstrip, Hinge Pillar, Lower....	1	205448	205448	205431	205431
Weatherstrip, Hinge Filler, Upper....	1	202402	202399		
Weatherstrip, Hinge Filler, Lower....	1	202403	202398		