

FIGURE 30-1 — BODY SHELL - 4-DOOR SEDANS - EXPLODED VIEW

FIGURE 30-1 — BODY SHELL - 4-DOOR SEDANS - EXPLODED VIEW

KEY	PART NAME	GROUP	KEY	PART NAME	GROUP
1	Hood	18.100	20	Funnel, Air Duct Inlet	30.034
2	Panel, Roof	30.052	21	Access Cover, Left	18.010
3	Lid, Deck	30.062	22	Splash Shield, Front, Left	18.010
4	Panel, Deck Opening Side	30.040	23	Pillar, Front	30.038
5	Deflector, Rear Stone	30.048	24	Cowl	30.054
6	Extension, Quarter Panel Lower, Rear	30.040	25	Brace, Radiator Cradle Tie	6.455
7	Wheelhousing (Inner and Outer)	30.040	26	Bracket, Radiator Cradle, Left	6.455
8	Panel, Rear Quarter	30.040	27	Cradle, Radiator	6.455
9	Cover, Fuel Tank Filler	30.040	28	Panel, Radiator Splash, Left	6.465
10	Door, Rear	30.120	29	Shroud, Radiator	6.480
11	Door, Front	30.102	30	Plate, Hood Lock Latch Support	18.147
12	Hinge, Front Lower	30.108	31	Panel, Stone Deflector	6.492
13	Fender, Front, Left	18.000	32	Bar, Radiator Grille, Upper, Left	6.490
14	Pillar, Center	30.038	33	Bar, Radiator Grille, Upper, Center	6.490
15	Plate, Door Lock Striker	30.122	34	Bracket, Radiator Lower Grille to Stone Deflector	6.490
16	Panel, Rocker	30.056	35	Bar, Radiator Lower Grille	6.490
17	Outlet, Air Duct	30.034	36	Fender, Front, Right	18.000
18	Splash Shield, Rear, Left, Upper	18.010	37	Outlet, Air Duct	30.034
19	Splash Shield, Rear, Left, Lower	18.010	38	Panel, Instrument	30.402



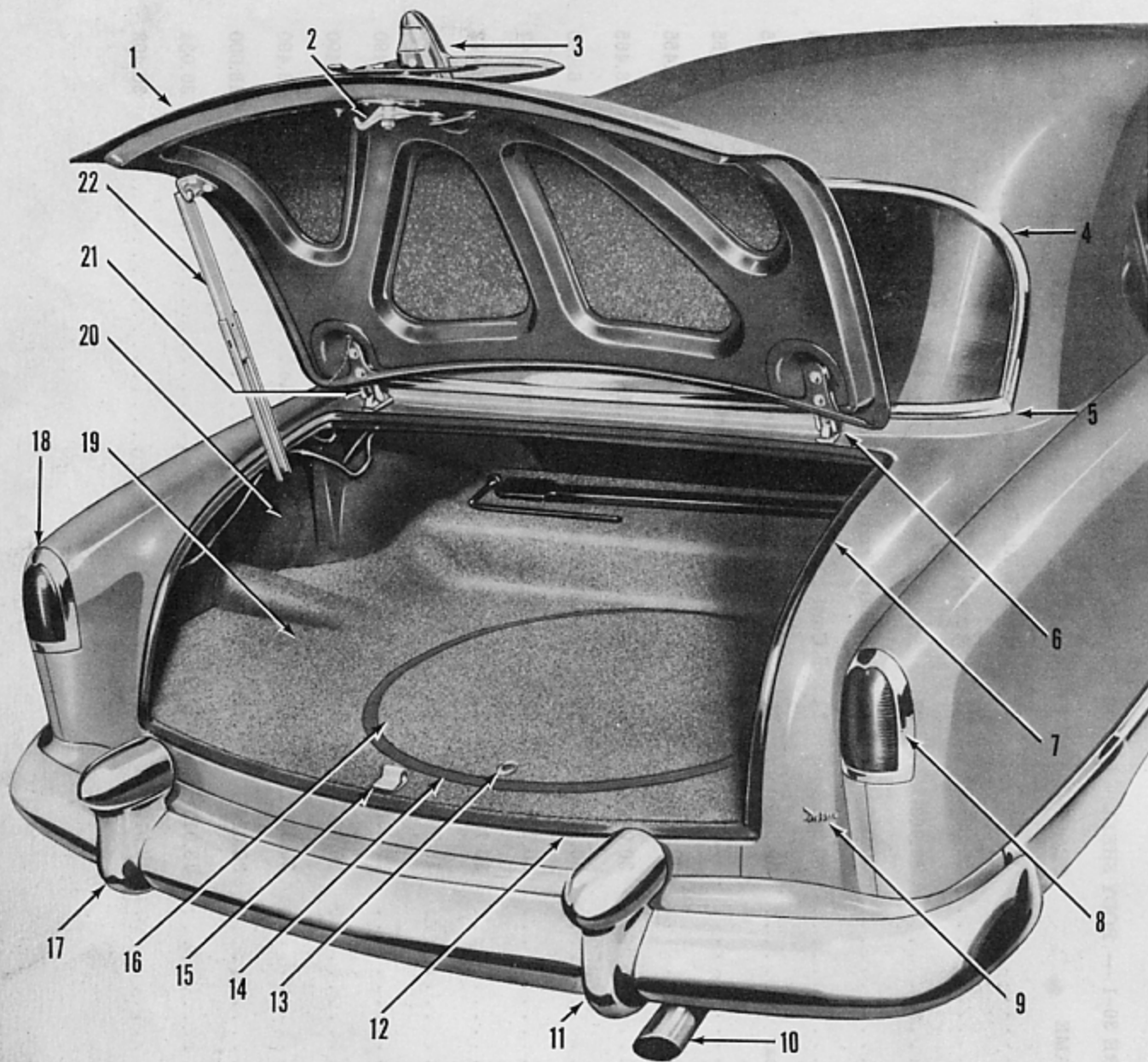
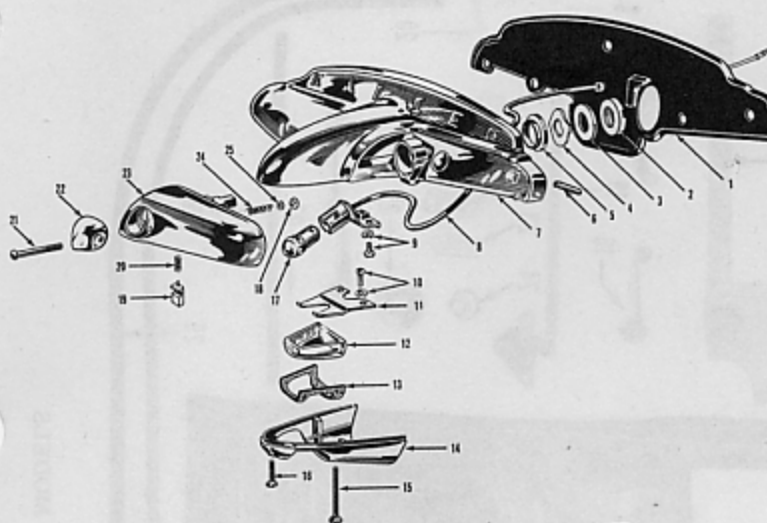


FIGURE 30-2 — REAR COMPARTMENT

KEY	PART NAME	GROUP	KEY	PART NAME	GROUP
1	Lid, Deck . . . . .	30.062	12	Weatherstrip, Bottom . . . . .	30.062
2	Latch and Link, Deck Lid Lock . . . . .	30.074	13	Ring, Tire Well Cover . . . . .	30.058
3	License Light Complete . . . . .	30.0702	14	Seal, Tire Well Cover . . . . .	30.058
4	Moulding,Rear Window,Upper,Right . . . . .	30.0915	15	Striker, Deck Lid Lock Latch . . . . .	30.074
5	Moulding,Rear Window,Lower . . . . .	30.0915	16	Mat, Tire Well Cover . . . . .	30.611
6	Hinge, Deck Lid, Right . . . . .	30.064	17	Guard, Rear, Left . . . . .	20.265
7	Weatherstrip, Upper and Sides . . . . .	30.062	18	Light, Tail, Left . . . . .	7.570
8	Light, Tail, Right . . . . .	7.570	19	Mat, Rear Compartment Floor . . . . .	30.611
9	Plate, Name, "Darrin" . . . . .	30.076	20	Panel,Rear Wheelhousing,Inner,Left . . . . .	30.040
10	Deflector, Exhaust . . . . .	5.080	21	Hinge, Deck Lid, Left . . . . .	30.064
11	Guard, Rear, Right . . . . .	20.265	22	Prop, Deck Lid . . . . .	30.064

FIGURE 30-3 — REAR DECK LID HANDLE AND LICENSE LIGHT - EXPLODED VIEW



KEY	PART NAME	GROUP
1	Pad, License Light Mounting . . . . .	30.0702
2	Nut, Deck Lid Handle . . . . .	30.068
3	Flatwasher, Deck Lid Handle . . . . .	30.068
4	Springwasher, Deck Lid Handle . . . . .	30.068
5	Reinforcement, Deck Lid Handle . . . . .	30.068
6	Stud, License Light Mounting . . . . .	30.0702
7	Body (not serviced separately) . . . . .	
8	Cable and Socket, License Light . . . . .	30.0702
9	Screw with L/W, License Light Cable . . . . .	30.0702
10	Screw with L/W, License Lens Retainer . . . . .	30.0702
11	Retainer, License Light Lens . . . . .	30.0702
12	Lens, License Light . . . . .	30.0702
13	Gasket, License Light Lens . . . . .	30.0702
14	Door, License Light . . . . .	30.0702
15	Screw, License Light Door . . . . .	30.0702
16	Screw, License Light Door . . . . .	30.0702
17	Bulb, License Light . . . . .	30.0702
18	Speednut, Handle Lock Cylinder Cover . . . . .	30.068
19	Pawl, Deck Lid Handle . . . . .	30.068
20	Spring, Deck Lid Handle Pawl . . . . .	30.068
21	Rivet, Handle Lock Cylinder Cover . . . . .	30.068
22	Cover, Handle Lock Cylinder . . . . .	30.068
23	Handle, Deck Lid . . . . .	30.068
24	Spring, Handle Lock Cylinder Cover . . . . .	30.068
25	Flatwasher, Handle Lock Cylinder Cover . . . . .	30.068

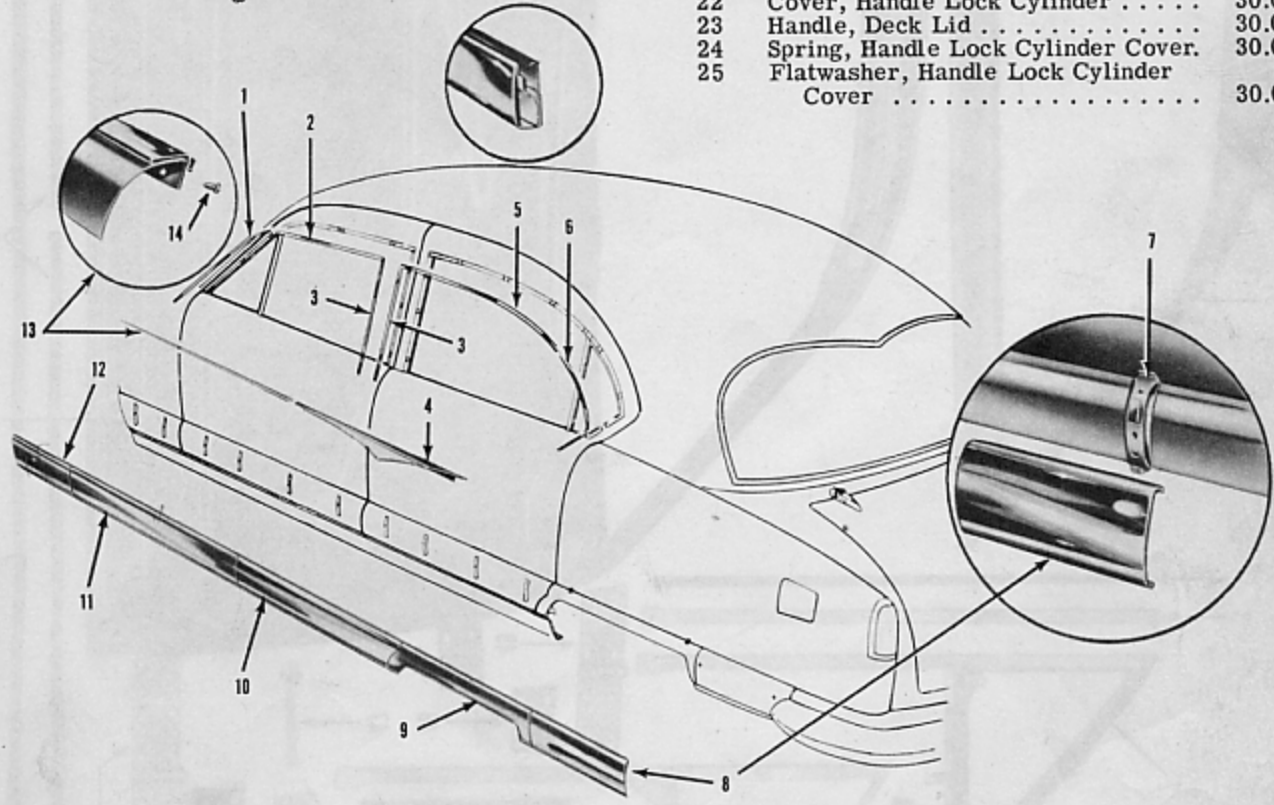


FIGURE 30-4 — BODY EXTERIOR MOULDINGS

KEY	PART NAME	GROUP	KEY	PART NAME	GROUP
1	Moulding, Front Door Ventilator Reveal, Left . . . . .	30.0915	7	Clip, Rub Rail Moulding . . . . .	30.0911
2	Moulding, Front Door Reveal, Upper, Left . . . . .	30.0915	8	Moulding, Rear Quarter Extension Rub Rail, Left . . . . .	30.0911
3	Moulding, Door Reveal, Vertical, Left . . . . .	30.0915	9	Cover, Rear wheel Opening, Left . . . . .	30.0911
4	Moulding, Rear Door Belt, Left . . . . .	30.0901	10	Moulding, Rear Door Rub Rail, Left . . . . .	30.0911
5	Moulding, Rear Door Reveal, Upper Left . . . . .	30.0915	11	Moulding, Front Door Rub Rail, Left . . . . .	30.0911
6	Moulding, Rear Door Ventilator Reveal, Left . . . . .	30.0915	12	Moulding, Fender Rub Rail, Left . . . . .	30.0911
			13	Moulding, Front Door Belt, Left . . . . .	30.0901
			14	Screw . . . . .	30.0901

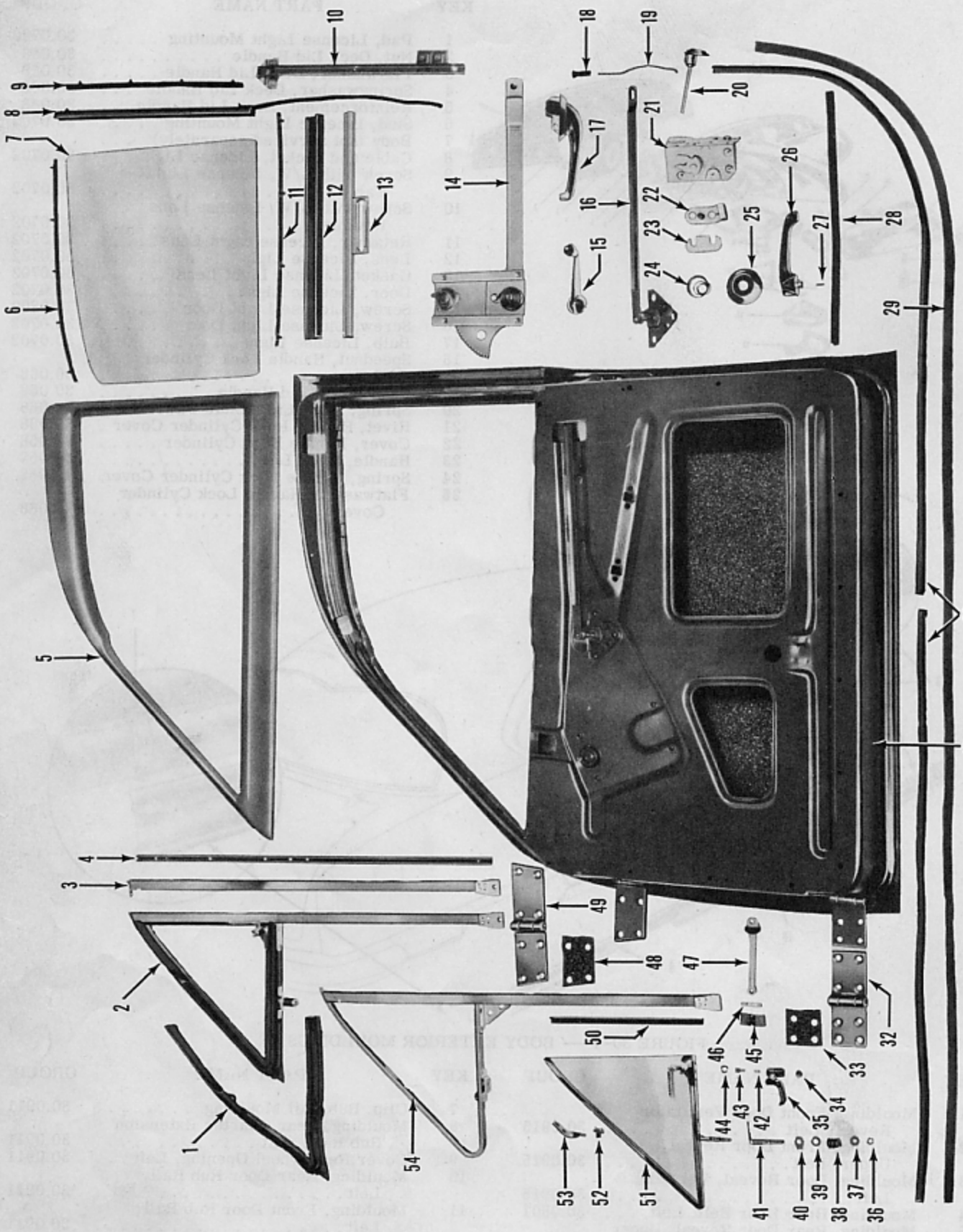


FIGURE 30-5 — FRONT DOOR-RIGHT-4-DOOR MODELS



FIGURE 30-5 — FRONT DOOR - RIGHT - 4-DOOR MODELS

KEY	PART NAME	GROUP	KEY	PART NAME	GROUP
1	Weatherstrip, Ventilator Frame . . . . .	30.206	28	Weatherseal, Door Glass, Upper . . . . .	30.204
2	Ventilator Complete . . . . .	30.206	29	Weatherseal, Door Opening . . . . .	30.102
3	Bar, Ventilator Division . . . . .	30.206	30	Weatherstrip, Door Hinge Pillar . . . . .	30.102
4	Run, Ventilator Division Bar Glass . . . . .	30.206	31	Door . . . . .	30.102
5	Moulding, Door Garnish . . . . .	30.101	32	Hinge, Lower, Right . . . . .	30.108
6	Weatherstrip, Door Garnish, Upper, Inner . . . . .	30.101	33	Anti-Squeak, Lower Hinge . . . . .	30.108
7	Glass, Front Door . . . . .	30.201	34	Button, Ventilator Handle . . . . .	30.206
8	Run, Door Window Glass . . . . .	30.204	35	Handle, Ventilator Lock . . . . .	30.206
9	Weatherstrip, Door Garnish, Vertical, Inner . . . . .	30.101	36	Nut, Lower Pivot . . . . .	30.206
10	Channel, Door Glass Run, Rear . . . . .	30.202	37	Flatwasher, Lower Pivot . . . . .	30.206
11	Weatherstrip, Door Garnish, Lower, Inner . . . . .	30.101	38	Spring, Lower Pivot . . . . .	30.206
12	Weatherstrip, Door Glass Lifter Channel . . . . .	30.202	39	Washer, Lower Pivot . . . . .	30.206
13	Channel, Door Glass Lifter, Lower . . . . .	30.202	40	Stop, Lower Pivot . . . . .	30.206
14	Regulator, Door Glass . . . . .	30.208	41	Pivot, Lower, Right . . . . .	30.206
15	Handle, Regulator . . . . .	30.208	42	Spring, Ventilator Handle . . . . .	30.206
16	Remote Control and Link . . . . .	30.106	43	Key, Ventilator Handle . . . . .	30.206
17	Handle, Door . . . . .	30.114	44	Springwasher, Ventilator Handle . . . . .	30.206
18	Knob, Door Lock Push Rod . . . . .	30.104	45	Bracket, Door Check Arm Pivot . . . . .	30.112
19	Rod, Door Lock Push . . . . .	30.104	46	Pin, Door Check Arm . . . . .	30.112
20	Lock Cylinder and Key . . . . .	30.114	47	Arm, Door Check . . . . .	30.112
21	Lock, Door . . . . .	30.104	48	Anti-Squeak, Upper Hinge . . . . .	30.108
22	Plate, Striker . . . . .	30.104	49	Hinge, Upper, Right . . . . .	30.108
23	Shim, Striker Plate . . . . .	30.104	50	Weatherstrip, Division Bar . . . . .	30.206
24	Spring, Remote Control Handle Escutcheon . . . . .	30.106	51	Frame and Glass, Ventilator . . . . .	30.206
25	Escutcheon, Remote Control Handle . . . . .	30.106	52	Bracket, Upper Pivot . . . . .	30.206
26	Handle, Remote Control . . . . .	30.106	53	Pivot, Ventilator, Upper . . . . .	30.206
27	Pin, Remote Control Handle . . . . .	30.106	54	Retainer, Division Bar and Weatherstrip . . . . .	30.206

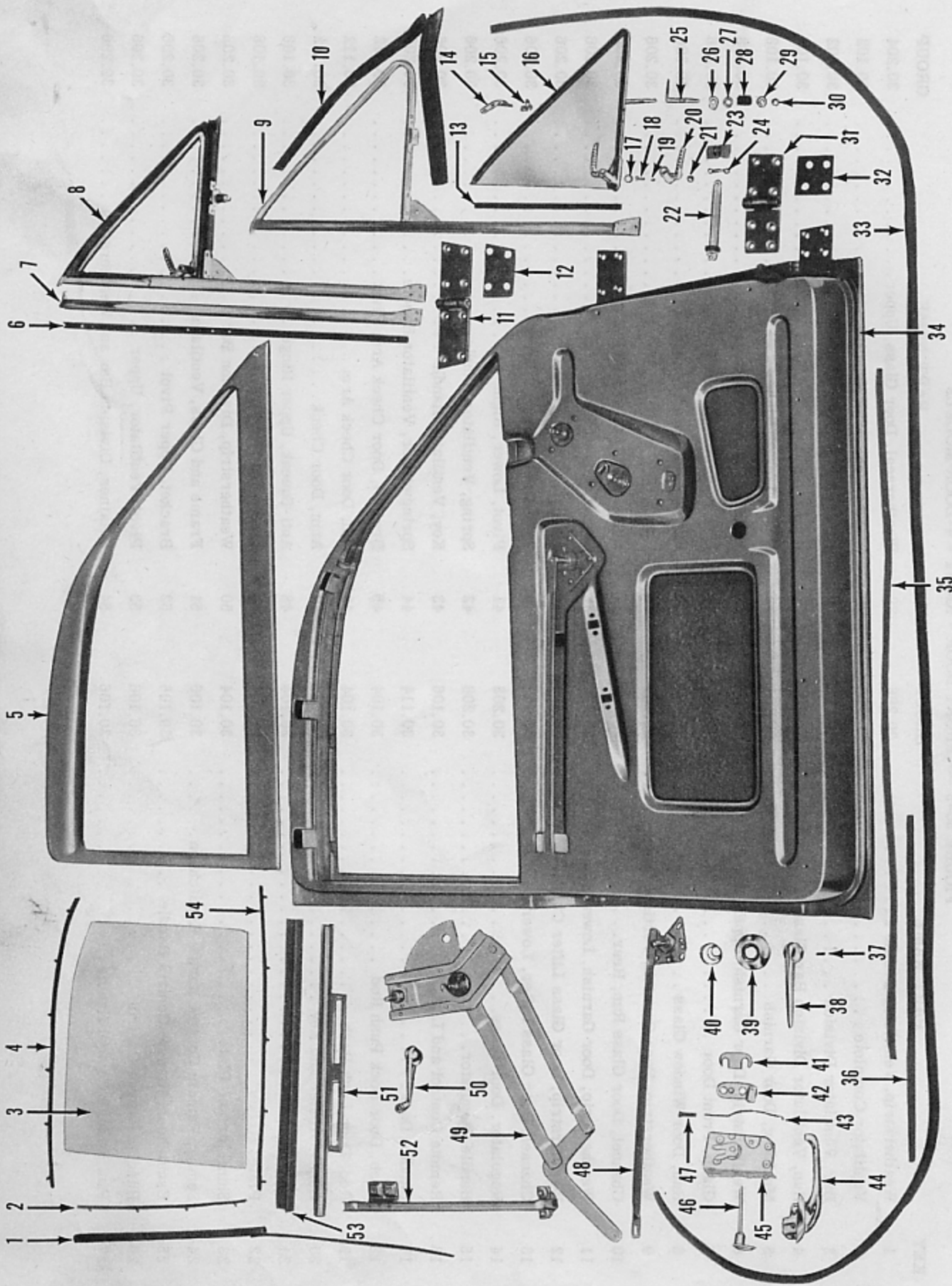


FIGURE 30-6 — FRONT DOOR-LEFT-2-DOOR MODELS

FIGURE 30-6 — FRONT DOOR — LEFT - 2-DOOR MODELS

KEY	PART NAME	GROUP	KEY	PART NAME	GROUP
1	Run, Door Window Glass . . . . .	30.204	28	Spring, Lower Pivot . . . . .	30.206
2	Weatherstrip, Door Garnish, Vertical, Inner . . . . .	30.101	29	Flatwasher, Lower Pivot . . . . .	30.206
3	Glass, Door . . . . .	30.201	30	Nut, Lower Pivot . . . . .	30.206
4	Weatherstrip, Door Garnish, Upper, Inner . . . . .	30.101	31	Hinge, Lower, Left . . . . .	30.108
5	Moulding, Door Garnish . . . . .	30.101	32	Anti-Squeak, Lower Hinge . . . . .	30.108
6	Run, Ventilator Division Bar Glass . . . . .	30.206	33	Weatherseal, Door Opening . . . . .	30.102
7	Bar, Ventilator Division . . . . .	30.206	34	Door . . . . .	30.102
8	Ventilator Complete . . . . .	30.206	35	Weatherstrip, Door Hinge Pillar . . . . .	30.102
9	Retainer, Division Bar and Weatherstrip . . . . .	30.206	36	Weatherseal, Door Glass, Upper . . . . .	30.204
10	Weatherstrip, Ventilator Frame . . . . .	30.206	37	Pin, Remote Control Handle . . . . .	30.106
11	Hinge, Upper, Left . . . . .	30.108	38	Handle, Remote Control . . . . .	30.106
12	Anti-Squeak, Upper Hinge . . . . .	30.108	39	Escutcheon, Remote Control Handle . . . . .	30.106
13	Weatherstrip, Division Bar . . . . .	30.206	40	Spring, Remote Control Handle Escutcheon . . . . .	30.106
14	Pivot, Ventilator, Upper . . . . .	30.206	41	Shim, Striker Plate . . . . .	30.104
15	Bracket, Upper Pivot . . . . .	30.206	42	Plate, Striker . . . . .	30.104
16	Frame and Glass, Ventilator . . . . .	30.206	43	Rod, Door Lock Push . . . . .	30.104
17	Springwasher, Ventilator Handle . . . . .	30.206	44	Handle, Door . . . . .	30.114
18	Key, Ventilator Handle . . . . .	30.206	45	Lock, Door . . . . .	30.104
19	Pin, Ventilator Handle . . . . .	30.206	46	Lock Cylinder and Key . . . . .	30.114
20	Handle, Ventilator Lock . . . . .	30.206	47	Knob, Door Lock Push Rod . . . . .	30.104
21	Button, Ventilator Handle . . . . .	30.206	48	Remote Control and Link . . . . .	30.106
22	Arm, Door Check . . . . .	30.112	49	Regulator, Door Glass . . . . .	30.208
23	Bracket, Door Check Arm Pivot . . . . .	30.112	50	Handle, Regulator . . . . .	30.208
24	Guide, Door Check Arm . . . . .	30.112	51	Channel, Door Glass Lifter, Lower . . . . .	30.202
25	Pivot, Lower . . . . .	30.206	52	Channel, Door Glass Run, Rear . . . . .	30.202
26	Stop, Lower Pivot . . . . .	30.206	53	Weatherstrip, Door Glass Lifter Channel . . . . .	30.202
27	Washer, Lower Pivot . . . . .	30.206	54	Weatherstrip, Door Garnish, Lower Inner . . . . .	30.101



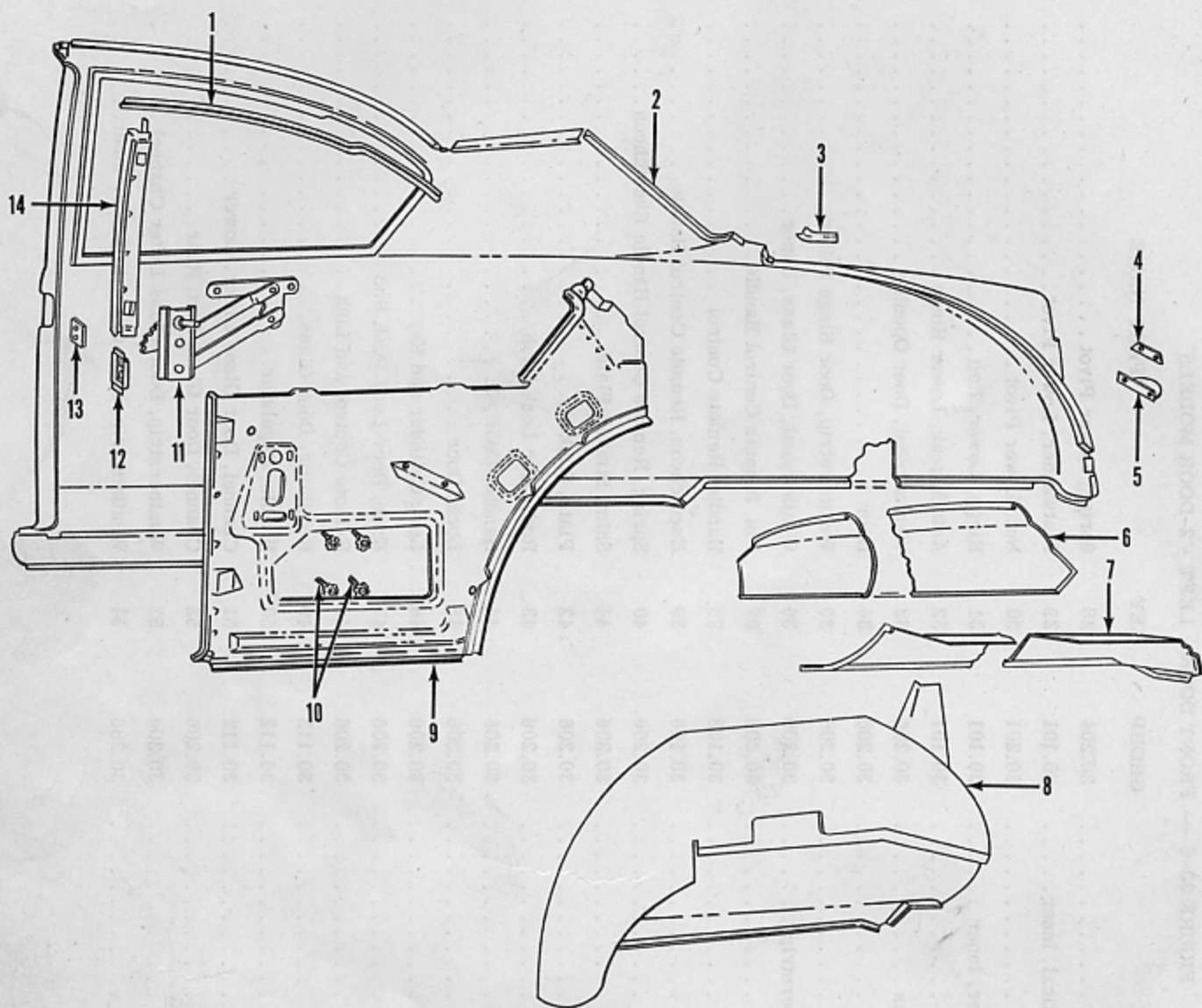


FIGURE 30-7 — RIGHT REAR QUARTER PANEL ASSEMBLY - EXPLODED VIEW

KEY	PART NAME	GROUP
1	Not serviced separately. . . . .	
2	Not serviced separately. . . . .	
3	Filler, Deck Drain Trough Upper Corner . . . . .	30.040
4	Support, Tail Light Mounting, Upper . . . . .	30.040
5	Bracket, Tail Light Mounting, Lower . . . . .	30.040
6	Extension, Quarter Panel Lower Rear . . . . .	30.040
7	Extension, Rear Floor Pan . . . . .	30.058
8	Panel, Rear Wheelhousing, Outer . . . . .	30.040
9	Panel, Rear Quarter Inner . . . . .	30.040
10	Screw, Regulator to Inner Panel . . . . .	30.218
11	Regulator, Quarter Panel Window . . . . .	30.218
12	Not serviced separately . . . . .	
13	Not serviced separately . . . . .	
14	Not serviced separately . . . . .	

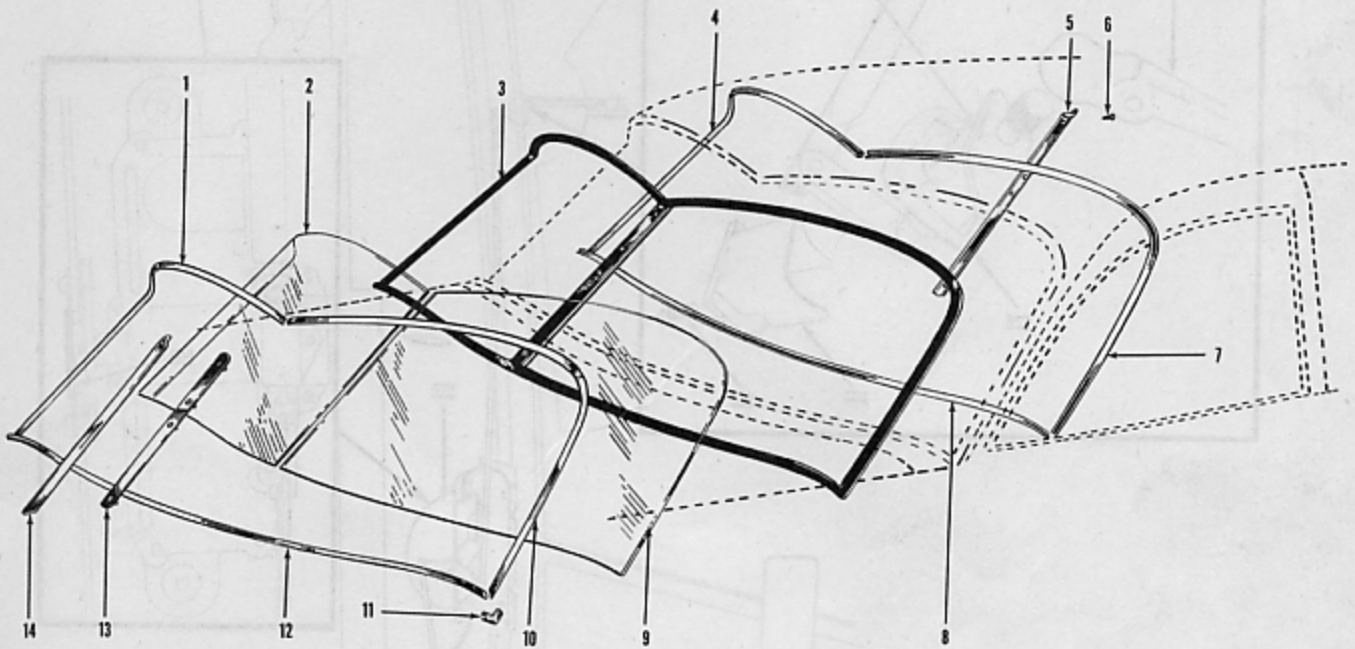


FIGURE 30-8 — WINDSHIELD - EXPLODED VIEW

KEY	PART NAME	GROUP
1	Moulding, Windshield Reveal, Upper, Right . . . . .	30.0915
2	Glass, Windshield, Right . . . . .	30.301
3	Weatherstrip, Windshield . . . . .	30.302
4	Moulding, Windshield Garnish, Upper, Right . . . . .	30.304
5	Bar, Windshield Division, Inner . . . . .	30.306
6	Screw . . . . .	30.306
7	Moulding, Windshield Garnish, Upper, Left . . . . .	30.304
8	Moulding, Windshield Garnish, Lower . . . . .	30.304
9	Glass, Windshield, Left . . . . .	30.301
10	Moulding, Windshield Reveal, Upper, Left . . . . .	30.0915
11	Clip, Windshield Reveal Moulding, Corner . . . . .	30.0915
12	Moulding, Windshield Reveal, Lower . . . . .	30.0915
13	Retainer, Windshield Division Bar . . . . .	30.306
14	Bar, Windshield Division, Outer . . . . .	30.094

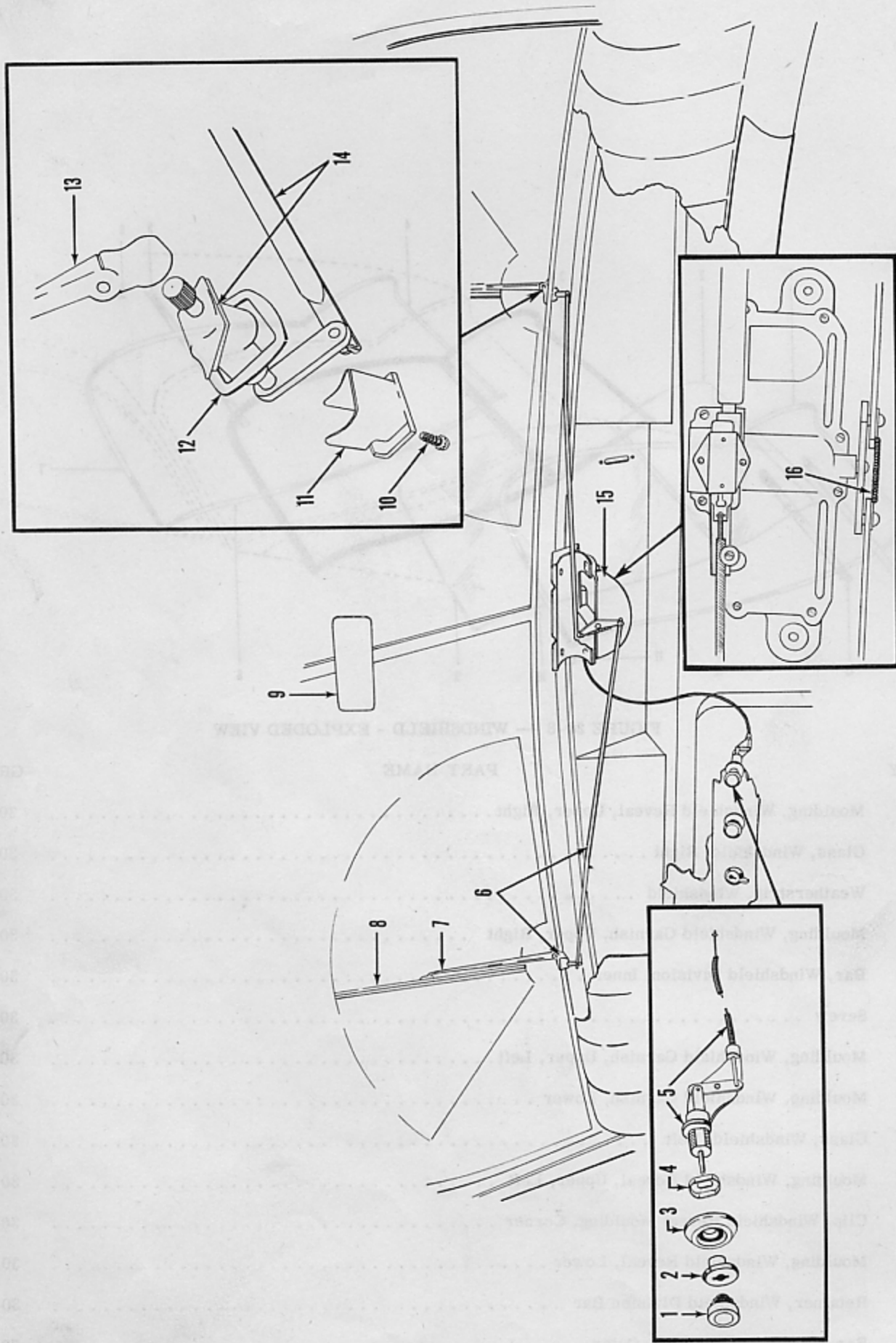


FIGURE 30-9 — WINDSHIELD WIPER-VACUUM-EXPLODED VIEW



FIGURE 30-9 — WINDSHIELD WIPER - VACUUM - EXPLODED VIEW

KEY	PART NAME	GROUP	KEY	PART NAME	GROUP
1	Knob, Wiper Control . . . . .	30.354	9	Mirror and Bracket, Rear View . . . . .	30.802
2	Nut, Wiper Control . . . . .	30.354	10	Bolt with L/W . . . . .	30.358
3	Bezel, Wiper Control . . . . .	30.354	11	Clamp, Wiper Pivot . . . . .	30.358
4	Spacer, Wiper Control . . . . .	30.354	12	Pad, Wiper Pivot . . . . .	30.358
5	Control, Wiper . . . . .	30.354	13	Arm, Wiper, Right . . . . .	30.360
6	Pivot, Wiper Arm, Left . . . . .	30.358	14	Pivot, Wiper Arm, Right . . . . .	30.358
7	Arm, Wiper, Left . . . . .	30.360	15	Motor, Wiper . . . . .	30.352
8	Blade, Wiper . . . . .	30.360	16	Retainer, Wiper Link . . . . .	30.358

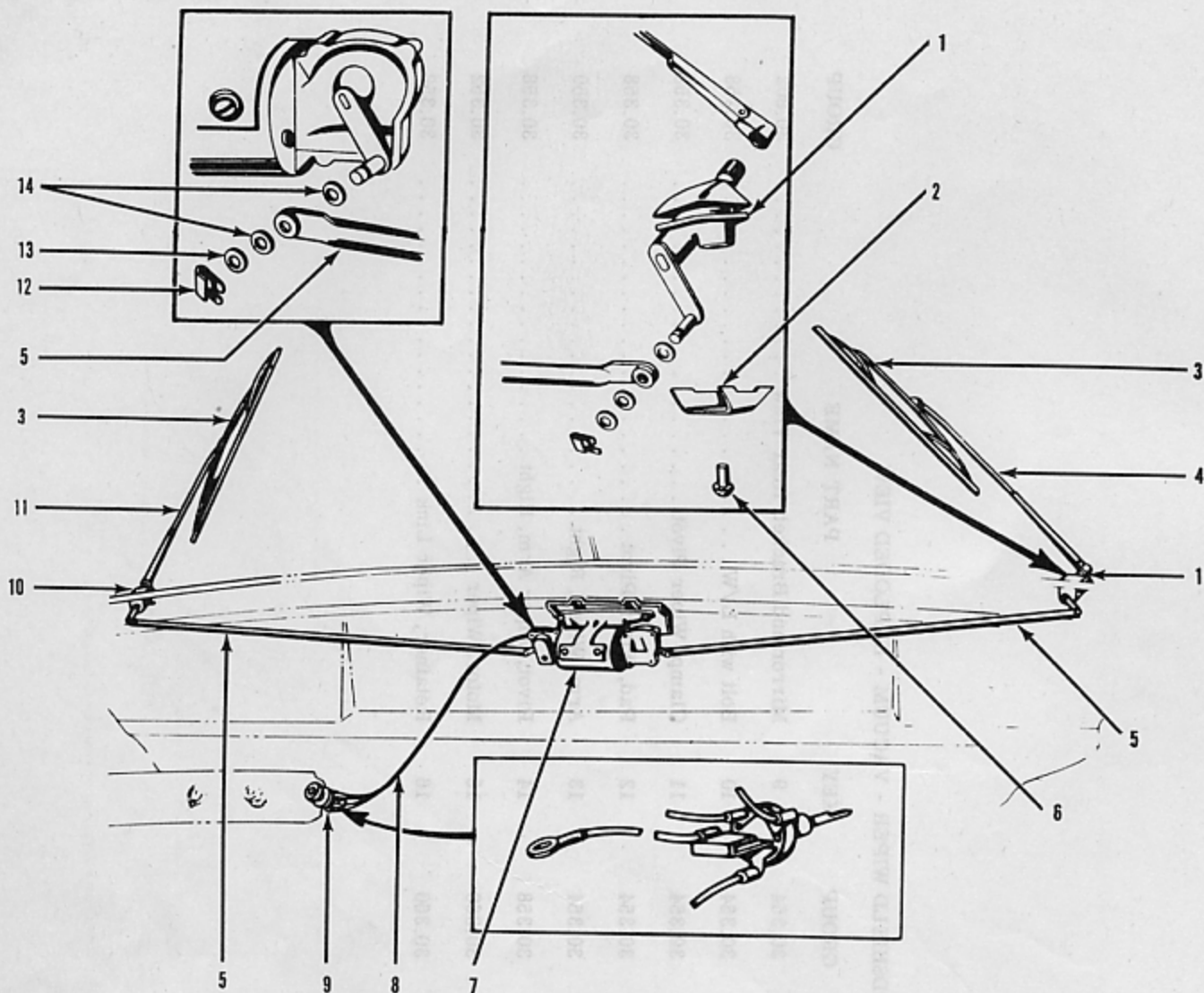


FIGURE 30-10 — WINDSHIELD WIPER - ELECTRIC - EXPLODED VIEW

KEY	PART NAME	GROUP
1	Pivot, Wiper Arm, Right . . . . .	30.358
2	Retainer, Wiper Arm Pivot . . . . .	30.358
3	Blade, Wiper . . . . .	30.360
4	Arm, Wiper, Right . . . . .	30.360
5	Link, Wiper. . . . .	30.358
6	Screw . . . . .	30.358
7	Motor and Bracket . . . . .	30.352
8	Cable, Wiper Feed . . . . .	30.366
9	Switch, Wiper . . . . .	30.354
10	Pivot, Wiper Arm, Left. . . . .	30.358
11	Arm, Wiper, Left. . . . .	30.360
12	Clip, Wiper Link . . . . .	30.358
13	Washer, Link Mounting . . . . .	30.358
14	Washer, Link Mounting (Felt) . . . . .	30.358

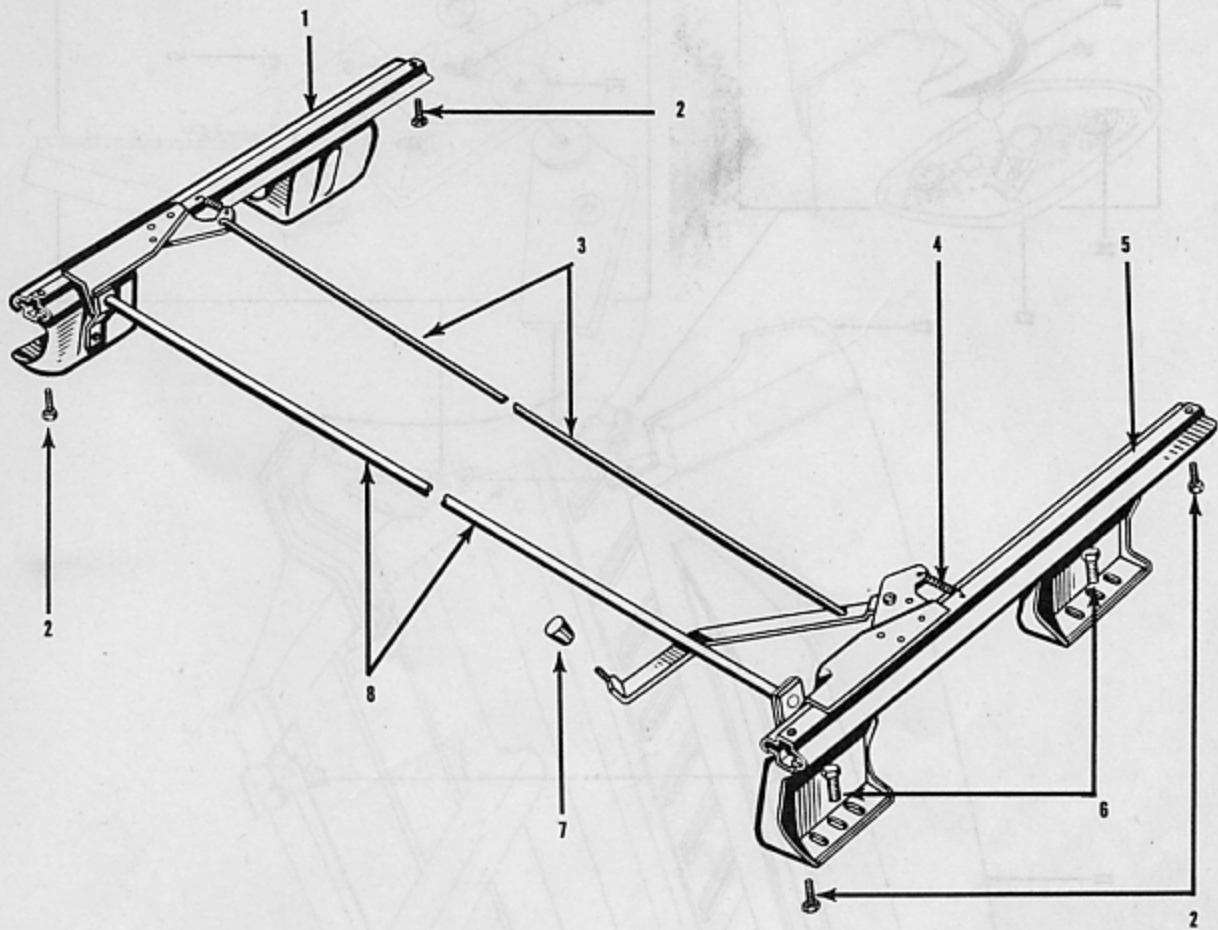


FIGURE 30-11 — FRONT SEAT TRACK ADJUSTER

KEY	PART NAME	GROUP
1	Adjuster, Front Seat, Right . . . . .	30.554
2	Bolt, Adjuster to Seat Cushion . . . . .	30.554
3	Rod, Connecting . . . . .	30.554
4	Spring, Adjuster Latch . . . . .	30.554
5	Adjuster, Front Seat, Left . . . . .	30.554
6	Bolt, Adjuster to Floor Pan . . . . .	30.554
7	Knob, Operating Handle . . . . .	30.554
8	Equalizer, Seat Adjuster . . . . .	30.554



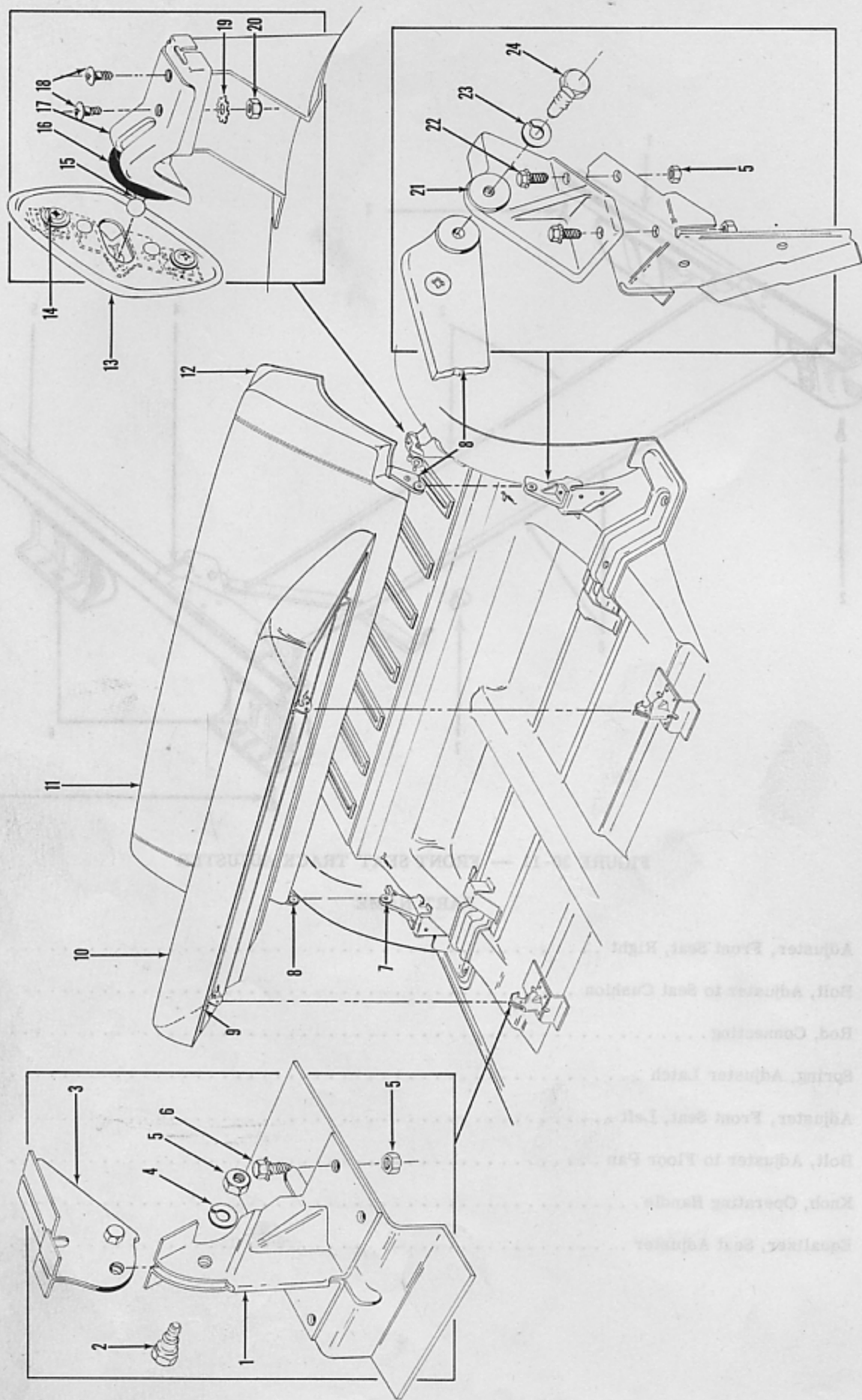


FIGURE 30-12 — REAR FOLDING SEAT-UTILITY MODELS-EXPLODED VIEW

FIGURE 30-12 — REAR FOLDING SEAT - UTILITY MODELS - EXPLODED VIEW

KEY	PART NAME	GROUP	KEY	PART NAME	GROUP
1	Hinge, Rear Seat Cushion, Lower . . . . .	30.556	13	Plate, Rear Back Outer Panel. . . . .	30.560
2	Bolt, Upper to Lower Hinge . . . . .	30.556	14	Screw, No. 10 Washer Head . . . . .	30.560
3	Hinge, Rear Seat Cushion, Upper. . . . .	30.556	15	Ball Stud, Rear Seat Back Support. . . . .	30.560
4	Lockwasher, Upper to Lower Hinge . . . . .	30.556	16	Bumper, Rear Seat Back Support . . . . .	30.560
5	Nut, Upper to Lower Hinge. . . . .	30.556	17	Support, Rear Seat Back . . . . .	30.560
6	Bolt, Lower Hinge to Support . . . . .	30.556	18	Screw, Rear Seat Back Support. . . . .	30.560
7	Pivot, Seat Back Outer Hinge, Right . . . . .	30.560	19	Lockwasher, Rear Seat Back Support . . . . .	30.560
8	Plate, Seat Back Hinge Pivot . . . . .	30.560	20	Nut, Rear Seat Back Support. . . . .	30.560
9	Panel, Rear Seat Cushion . . . . .	30.556	21	Pivot, Seat Back Outer Hinge, Left . . . . .	30.560
10	Cushion Complete, Rear Seat . . . . .	30.620	22	Bolt, Outer Hinge Pivot to Support . . . . .	30.560
11	Cushion Complete, Rear Seat Back . . . . .	30.620	23	Lockwasher, Outer Hinge Pivot to Pivot Plate . . . . .	30.560
12	Panel, Rear Seat Back Cushion. . . . .	30.560	24	Pin Bolt, Outer Hinge Pivot to Pivot Plate . . . . .	30.560

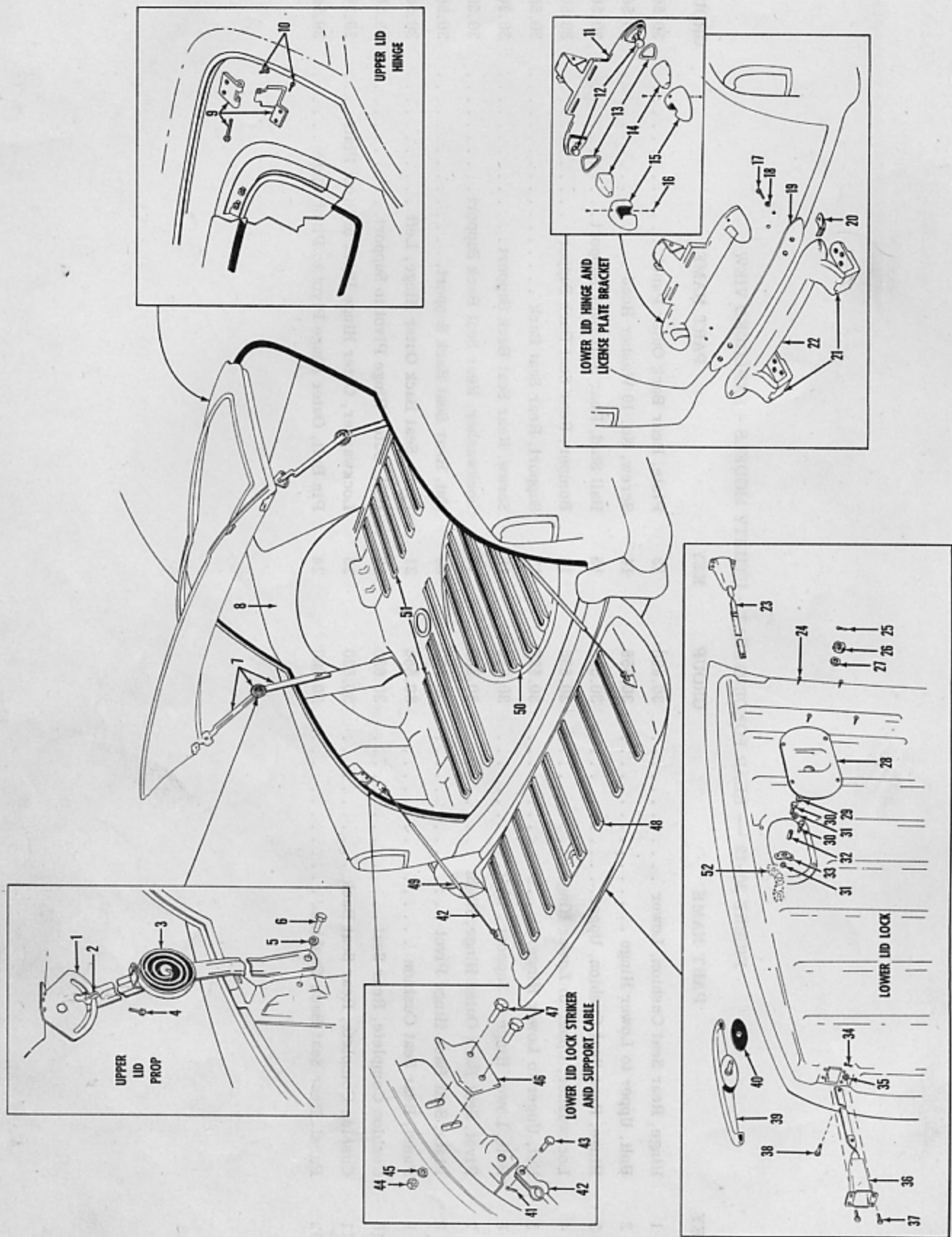


FIGURE 30-13 — REAR DECK LID HARDWARE-UTILITY MODELS-EXPLODED VIEW



FIGURE 30-13 — REAR DECK LID HARDWARE - UTILITY MODELS - EXPLODED VIEW

KEY	PART NAME	GROUP	KEY	PART NAME	GROUP
1	Bracket, Upper Lid Support Locking . . . . .	30.064	27	Flatwasher, Lower Lid Handle . . . . .	30.068
2	Wing Nut, Upper Lid Support . . . . .	30.064	28	Plate, Lower Lid Lock Cover . . . . .	30.074
3	Spring, Upper Lid Support . . . . .	30.064	29	Flatwasher, Lower Lid Handle . . . . .	30.068
4	Bolt, Upper Lid Support to Lid . . . . .	30.064	30	Bolt, Lower Lid Handle Shaft Retainer . . . . .	30.068
5	Springwasher, Upper Lid Support to Bracket . . . . .	30.064	31	Springwasher, Lower Lid Handle . . . . .	30.068
6	Bolt, Upper Lid Support to Bracket . . . . .	30.064	32	Spacer, Lower Lid Handle Shaft . . . . .	30.068
7	Support, Upper Lid . . . . .	30.064	33	Lever, Lower Lid Lock . . . . .	30.074
8	Panel, Rear Quarter Trim . . . . .	30.610	34	Cotter Pin, Lower Lid Lock Lever . . . . .	30.074
9	Hinge, Upper Lid . . . . .	30.064	35	Flatwasher, Lower Lid Lock Lever . . . . .	30.074
10	Screw with L/W, Upper Lid Hinge . . . . .	30.064	36	Lock, Lower Lid, Right . . . . .	30.074
11	License Light (Partial) . . . . .	30.0702	37	Bolt, Lower Lid Lock . . . . .	30.074
12	Bulb, License Light . . . . .	30.0702	38	Clevis Pin, Lower Lid Lock Lever . . . . .	30.074
13	Gasket, License Light Lens . . . . .	30.0702	39	Handle, Lower Lid . . . . .	30.068
14	Lens, License Light . . . . .	30.0702	40	Gasket, Lower Lid Handle Escutcheon . . . . .	30.068
15	Door (Bezel) License Light . . . . .	30.0702	41	Cotter Pin, Lower Lid Support Cable . . . . .	30.074
16	Screw, License Light Door . . . . .	30.0702	42	Cable, Lower Lid Support . . . . .	30.074
17	Bolt, Lower Lid Hinge . . . . .	30.064	43	Clevis Pin, Lower Lid Support Cable . . . . .	30.074
18	Lockwasher, Lower Lid Hinge . . . . .	30.064	44	Nut, Lower Lid Lock Striker . . . . .	30.074
19	Gasket, Lower Lid Hinge . . . . .	30.064	45	Flatwasher, Lower Lid Lock Striker . . . . .	30.074
20	Grommet, Lower Lid Hinge . . . . .	30.064	46	Striker, Lower Lid Lock . . . . .	30.074
21	Hinge, Lower Lid (on Body) . . . . .	30.064	47	Screw with L/W, Lower Lid Lock . . . . .	30.074
22	Hinge, Lower Lid (on Lid) . . . . .	30.064	48	Skid Strip, Lower Lid . . . . .	30.075
23	Lock, Lower Lid, Left . . . . .	30.074	49	Cover, Deck Lid Cable . . . . .	30.6105
24	Screw, Lower Lid Lock Cover Plate . . . . .	30.074	50	Skid Strip, Tire Well Cover . . . . .	30.075
25	Cotter Pin, Lower Lid Handle . . . . .	30.068	51	Skid Strip, Rear Floor . . . . .	30.075
26	Nut, Lower Lid Handle . . . . .	30.068	52	Retainer, Lower Lid Handle Shaft . . . . .	30.068

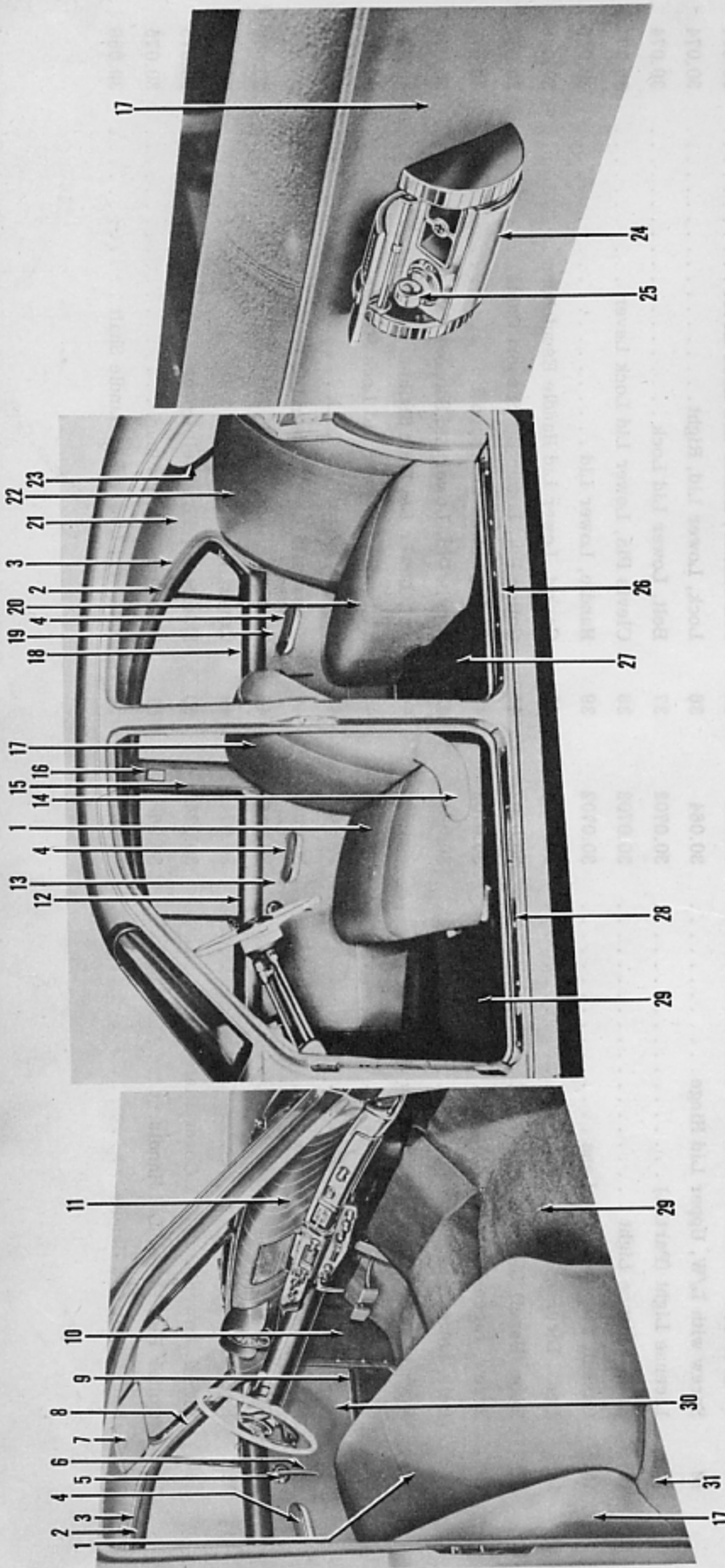


FIGURE 30-14 — BODY INTERIOR TRIM AND HARDWARE

KEY	PART NAME	GROUP	KEY	PART NAME	GROUP
1	Cushion, Front Seat	30.616	16	Light, Courtesy	30.707
2	Weathercord, Front and Rear Door Opening	30.604	17	Cushion, Front Seat Back	30.616
3	Binding, Headlining Wire-On	30.612	18	Moulding, Rear Door Garnish, Right	30.119
4	Arm Rest, Door	30.614	19	Panel, Rear Door Trim, Right	30.608
5	Escutcheon, Door Remote Control Handle	30.106	20	Cushion, Rear Seat	30.620
6	Handle, Door Remote Control	30.106	21	Headlining	30.612
7	Panel, Sun Visor	30.626	22	Cushion, Rear Seat Back	30.620
8	Cover, Windshield Pillar	30.612	23	Moulding, Rear Window Garnish, Right	30.503
9	Moulding, Front Door Trim Panel	30.604	24	Ash Receiver Complete, Front Seat Back	30.806
10	Panel, Cowl Trim, Left	30.602	25	Cigar Lighter, Front Seat Back	7.652
11	Cover, Instrument Board (Panel)	30.615	26	Plate, Rear Door Scuff	30.808
12	Moulding, Front Door Garnish, Right	30.101	27	Carpet or Mat, Rear Floor	30.630
13	Panel, Front Door Trim, Right	30.604	28	Plate, Front Door Scuff	30.808
14	Cover, Front Seat Back Side Panel, Left	30.616	29	Carpet or Mat, Front Floor	30.630
15	Panel, Center Pillar Trim, Right (used with Courtesy Light)	30.606	30	Panel, Front Door Trim, Left	30.604
			31	Cover, Front Seat Back Side Panel, Right	30.616

# BODY MOUNTINGS

30.010

FIGURE NUMBER	GROUP, PART NAME and DESCRIPTION	PART NUMBER	MODELS	BODY STYLES					
				4-DR. SED.	BUS. CPE.	2-DR. SED.	4-DR. UTIL.	CLUB CPE.	2-DR. UTIL.
	<b>30.012 - BODY HOLD DOWN BOLT</b>			1	3	4	5	7	0
	Bolt, No. 1, 3, 4, 5, 6, 7 and 8 . . . . .	968	511, 512	14	14	14	14	14	14
	Bolt, No. 2 . . . . .	786	511, 512	2	2	2	2	2	2
	Bolt, No. 9 and 10 . . . . .	207522	511, 512	3	3	3	3	3	3
	Lockwasher, No. 1 and 6 Bolt . . . . .	193	511, 512	4	4	4	4	4	4
	Flatwasher, No. 2, 3, 4, 5, 7 and 8 Bolt, Upper . . . . .	519	511, 512	12	12	12	12	12	12
	Flatwasher, No. 1, 2, 3, 4, 5, 6, 7 and 8 Bolt, Lower . . . . .	212550	511, 512	16	16	16	16	16	16
	Flatwasher, No. 9 and 10 Bolt . . . . .	947	511, 512	3	3	3	3	3	3
	Lock Nut, No. 2, 3, 4, 5, 7 and 8 Bolt . . . . .	202296	511, 512	12	12	12	12	12	12
	Speednut, No. 5 Bolt, Right . . . . .	212180	511, 512	1	1	1	1	1	1
	Speednut, No. 9 and 10 Bolt . . . . .	207523	511, 512	3	3	3	3	3	3
	<b>30.014 - BODY HOLD DOWN SHIM (OR) INSULATOR</b>								
	Shim, No. 1 and 2 Bolt, Upper . . . . .	200605	511, 512	4	4	4	4	4	4
	Shim, No. 3, 4, 5, 6, 7 and 8 Bolt, Lower . . . . .	200605	511, 512	12	12	12	12	12	12
	Shim, No. 5 Bolt, Right . . . . .	212552	511, 512	1	1	1	1	1	1
	Shim, No. 2, 3, 4, 5, 6, 8, 9 and 10 Bolt, Upper . . . . .	212551	511, 512	15	15	15	15	15	15
	Shim, No. 1 Bolt, Lower . . . . .	212552	511, 512	4	4	4	4	4	4
	Shim, No. 9 and 10 Bolt, Lower . . . . .	207524	511, 512	4	4	4	4	4	4



FIGURE NUMBER	GROUP, PART NAME and DESCRIPTION	PART NUMBER	MODELS	BODY STYLES					
				4 DR. SED.	BUS. CFE.	2 DR. SED.	4 DR. UTL.	CLUB CFE.	2 DR. UTL.
30-1-17	30.034 - BODY VENTILATING AIR DUCT			1	3	4	5	7	0
	Funnel (incl. Screen) Air Duct Inlet, Right	207526	511, 512	1	1	1	1	1	1
	Funnel (incl. Screen) Air Duct Inlet, Left	207525	511, 512	1	1	1	1	1	1
	Bolt, 5/16"-18 x 3/4" Hx. Hd.	183	511, 512	2	2	2	2	2	2
	Lockwasher, 5/16" Ext. Tooth	348	511, 512	2	2	2	2	2	2
	Nut, 5/16"-18 Hx. Lt.	205	511, 512	2	2	2	2	2	2
	Outlet, Air Duct, Rear	207527	511, 512	2	2	2	2	2	2
	Bolt, 5/16"-18 x 3/4" Hx. Hd.	183	511, 512	2	2	2	2	2	2
	Lockwasher, 5/16" Ext. Tooth	348	511, 512	2	2	2	2	2	2
	Nut, 5/16"-18 Hx. Lt.	205	511, 512	2	2	2	2	2	2
	Valve and Collar, Air Duct, Right	207528	511, 512	1	1	1	1	1	1
	Valve and Collar, Air Duct, Left	207529	511, 512	1	1	1	1	1	1
	Screw, Washer Head (to Splash Shield)	207542	511, 512	*	*	*	*	*	*
	Collar, Air Duct, Right	208076	511, 512	1	1	1	1	1	1
	Collar and Deflector, Air Duct, Left	208077	511, 512	1	1	1	1	1	1
	Screw, Washer Head	207542	511, 512	4	4	4	4	4	4
	Clamp, Air Duct	207652	511, 512	4	4	4	4	4	4
	Screw, No. 10-32 x 1/2" Rd. Hd. Cr. Rec.	654	511, 512	4	4	4	4	4	4
	Lockwasher, No. 10 Ext. Tooth	294	511, 512	4	4	4	4	4	4
	Nut, No. 10-32 Sq.	201411	511, 512	4	4	4	4	4	4
	Connector, Air Duct (used with 207527)	207653	511, 512	2	2	2	2	2	2
	Cable (incl. Knob) Vent. Control, Right	207654	511, 512	1	1	1	1	1	1
	Cable (incl. Knob) Vent. Control, Left	207655	511, 512	1	1	1	1	1	1
	Lockwasher, 3/8" Ext. Tooth	291	511, 512	2	2	2	2	2	2
	Nut, 3/8"-24 Hx.	290	511, 512	2	2	2	2	2	2
	Grommet, Vent. Control Cable	206637	511, 512	2	2	2	2	2	2
	Clip, Air Duct Cable Support	208560	511, 512	2	2	2	2	2	2
	Screw, No. 10-32 x 1/2" Rd. Hd. Cr. Rec.	654	511, 512	2	2	2	2	2	2
Lockwasher, No. 10 Ext. Tooth	294	511, 512	2	2	2	2	2	2	
Nut, No. 10-32 Sq.	201411	511, 512	2	2	2	2	2	2	
Support, Air Duct Valve Cable	207656	511, 512	1	1	1	1	1	1	
30.038 - DOOR HINGE PILLARS AND REINFORCEMENTS (PRIME)									
30-1-23	Pillar, Front, Right	207658	511, 512	1	1	1	1	1	1
	Pillar, Front, Left	207657	511, 512	1	1	1	1	1	1
	Pillar, Center, Right	207662	511, 512	1	1	1	1	1	1

\* As Required

# BODY PANELS

30.030

FIGURE NUMBER	GROUP, PART NAME and DESCRIPTION	PART NUMBER	MODELS	BODY STYLES						
				4-DR. SED.	BUS. CPE.	2-DR. SED.	4-DR. UTIL.	CLUB CPE.	2-DR. UTIL.	
30-1-14	30.038 - DOOR HINGE PILLARS AND REINFORCEMENTS (PRIME) (Cont'd)									
	Pillar, Center, Left	207663	511, 512	1						
	Pillar, Rear Quarter Lock, Right	212767	511, 512	1						
	Pillar, Rear Quarter Lock, Left	212768	511, 512	1						
	Plug, Rear Quarter Pillar Facing Button	207659	511, 512	2						
	30.040 - REAR QUARTER PANELS (PRIME)									
30-1-8	Panel, Right	207664	511, 512	1						
	Panel, Left	207665	511, 512	1						
	Panel, Right	207666	511, 512		1					
	Panel, Left	207667	511, 512		1					
	Panel, Right	208526	511, 512							
	Panel, Left	208527	511, 512							
	Panel, Right	207668	511, 512							
	Panel, Left	207669	511, 512							
	Panel, Right	207670	511, 512							
	Panel, Left	207671	511, 512							
	Weatherseal, Rear Quarter Inner Panel	212985	511, 512							
	Panel, Deck Opening Side, Right	209812	511, 512							
	Panel, Deck Opening Side, Left	209813	511, 512							
30-1-4	Trough, Deck Opening Side Drain, Right	212899	511, 512							
	Trough, Deck Opening Side Drain, Left	212900	511, 512							
30-7-3	Support, Tail Light Mounting, Upper, Right	209814	511, 512							
	Support, Tail Light Mounting, Upper, Left	209815	511, 512							
30-7-5	Bracket, Tail Light Mounting, Lower	209816	511, 512							
30-7-9	Panel, Rear Quarter Inside, Right	212987	511, 512							
	Panel, Rear Quarter Inside, Left	212988	511, 512							
	Strainer, Deck Opening, Upper	213063	511, 512							
	Extension, Quarter Panel Lower, Front, Right	207672	511, 512							
	Extension, Quarter Panel Lower, Front, Left	207673	511, 512							
30-7-6	Extension, Quarter Panel Lower, Rear, Right	207674	511, 512							
30-1-6	Extension, Quarter Panel Lower, Rear, Left	207675	511, 512							
30-7-8	Panel, Rear Wheelhousing, Outer, Right	207676	511, 512							
	Panel, Rear Wheelhousing, Outer, Left	207677	511, 512							
	Panel, Rear Wheelhousing, Inner, Right	207678	511, 512							
30-2-20	Panel, Rear Wheelhousing, Inner, Left	207679	511, 512							

FIGURE NUMBER	GROUP, PART NAME and DESCRIPTION	PART NUMBER	MODELS	BODY STYLES					
				4-DR. SED.	BUS. CPE.	2-DR. SED.	4-DR. UTIL.	CLUB CPE.	2-DR. UTIL.
30-1-9	30.040 - REAR QUARTER PANELS (PRIME) (Cont'd) Panel, Fuel Tank Filler Housing, Front Panel, Fuel Tank Filler Housing, Side Panel, Fuel Tank Filler Housing, Rear Weatherstrip, Housing to Quarter Panel Cover, Fuel Tank Filler Screw, No. 12-11 x 1/2" Pan Hd. Cr. Rec. Tap. Bumper, Fuel Filler Cover Bumper, Fuel Filler Cover Hinge Spring, Right Spring, Left Spring, Right Spring, Left Bracket, Fuel Tank Filler Pipe Housing Filler, Deck Drain Trough Upper Corner, Right Filler, Deck Drain Trough Upper Corner, Left	207680 207681 207682 207683 207313 765 207314 212665 207316 207315 209578 209579 207685 207686 207687	511, 512 511, 512 511, 512 511, 512 511, 512 511, 512 511, 512 511, 512 511, 512 511, 512 511, 512 511, 512 511, 512 511, 512 511, 512 511, 512	1 1 1 2 1 3 2 1 1 1 1 1 1 1 1 1	3 1 1 2 1 3 2 1 1 1 1 1 1 1 1 1	4 1 1 2 1 3 2 1 1 1 1 1 1 1 1 1	5 1 1 2 1 3 2 1 1 1 1 1 1 1 1 1	7 1 1 1 2 1 3 2 1 1 1 1 1 1 1 1 1	0 1 1 1 2 1 3 2 1 1 1 1 1 1 1 1 1
30-7-3	30.048 - REAR STONE DEFLECTOR PANELS (PRIME) Deflector, Rear Stone Deflector, Rear Stone Seal, Rear Stone Deflector (73" Long) Screw Speednut	213064 207689 207690 205680 207093	511, 512 511, 512 511, 512 511, 512 511, 512	1 1 1 * *	1 1 1 * *	1 1 1 * *	1 1 1 * *	1 1 1 * *	1 1 1 * *
30-1-5	30.050 - BODY SHEELS (PRIME) Shell Shell Shell Shell Shell Shell Shell Shell Shell Shell	207691 207692 207694 207695 207696 207697 207698 207699 207700 207701	511 512 511 511 512 511 512 512 511 512	1 1 1 1 1 1 1 1 1 1	1 1 1 1 1 1 1 1 1 1	1 1 1 1 1 1 1 1 1 1	1 1 1 1 1 1 1 1 1 1	1 1 1 1 1 1 1 1 1 1	1 1 1 1 1 1 1 1 1 1

\* As Required



# BODY PANELS

30.030

FIGURE NUMBER	GROUP, PART NAME and DESCRIPTION	PART NUMBER	MODELS	BODY STYLES							
				4-DR. SED.	BUS. CPE.	2-DR. SED.	4-DR. UTIL.	CLUB CPE.	2-DR. UTIL.		
	30.050 - BODY SHELLS (PRIME) (Cont'd)										
	Shell . . . . .	207702	511	1							
	Shell . . . . .	207703	512	1							
	Shell . . . . .	207705	511		1						
	Shell . . . . .	207706	511			1					
	Shell . . . . .	207707	512			1					
	Shell . . . . .	207708	511				1				
	Shell . . . . .	207709	512					1			
	Shell . . . . .	207710	512						1		
	Shell . . . . .	207711	511							1	
	Shell . . . . .	207712	512								1
	30.052 - ROOF PANEL (PRIME)										
	Panel . . . . .	207713	511, 512	1							
	Panel . . . . .	207714	511, 512			1					
	Panel . . . . .	207715	511, 512				1				
	Panel . . . . .	207716	511, 512		1						
	Panel . . . . .	207717	511, 512								1
	Moulding, Roof Drip, Right . . . . .	207718	511, 512	1							
	Moulding, Roof Drip, Left . . . . .	207719	511, 512	1							
	Screw, No. 4-24 x 3/8" Rd. Hd. Cr. Rec. Tap. . . . .	657	511, 512	2							
	Moulding, Roof Drip, Right . . . . .	207720	511, 512			1					1
	Moulding, Roof Drip, Left . . . . .	207721	511, 512			1					1
	Moulding, Roof Drip, Front, Right. . . . .	207722	511, 512			1					1
	Moulding, Roof Drip, Front, Left . . . . .	207723	511, 512			1					1
	Moulding, Roof Drip, Rear, Right . . . . .	207724	511, 512			1					1
	Moulding, Roof Drip, Rear, Left . . . . .	207725	511, 512			1					1
	Rail, Roof Side, Right . . . . .	207726	511, 512	1					1		
	Rail, Roof Side, Left . . . . .	207727	511, 512	1					1		
	Rail, Roof Side, Right . . . . .	207728	511, 512			1					1
	Rail, Roof Side, Left . . . . .	207729	511, 512			1					1
	Reinforcement, Roof Side Rail, Right . . . . .	207730	511, 512	1							
	Reinforcement, Roof Side Rail, Left. . . . .	207731	511, 512	1							
	Reinforcement, Roof Side Rail, Front, Right . . . . .	207732	511, 512			1					1
	Reinforcement, Roof Side Rail, Front, Left. . . . .	207733	511, 512			1					1
	Reinforcement, Roof Side Rail, Rear, Right . . . . .	207734	511, 512			1					1

FIGURE NUMBER	GROUP, PART NAME and DESCRIPTION	PART NUMBER	MODELS	BODY STYLES								
				4-DR. SED.	BUS. CPE.	2-DR. SED.	4-DR. UTL.	CLUB CPE.	2-DR. UTL.			
	30.052 - ROOF PANEL (PRIME) (Cont'd)											
	Reinforcement, Roof Side Rail, Rear, Left	207735	511, 512			1					1	
	Reinforcement, Roof Side Rail, Rear, Right	207736	511, 512					1				1
	Reinforcement, Roof Side Rail, Rear, Left	207737	511, 512							1		
	30.054 - COWL (OR) BODY FRONT END (PRIME)											
30-1-24	Cowl Complete	207738	511, 512	1	1	1	1	1	1	1	1	1
	Plug, Heater Mounting Hole Button	208999	511, 512	3	3	3	3	3	3	3	3	3
	Plug, Clutch Pedal Hole Button (1-1/2" Dia.)	202940	511, 512	1	1	1	1	1	1	1	1	1
	30.056 - ROCKER PANELS (PRIME)											
	Panel, Right	207740	511, 512	1			1					1
	Panel, Left	207741	511, 512	1			1					1
30-1-16	Panel, Right	207742	511, 512		1	1						1
	Panel, Left	207743	511, 512		1	1						1
	Plug, Rocker Panel Drain Hole (Rubber)	212955	511, 512		8	8						8
	30.058 - REAR FLOOR PAN AND LOWER DECK PANEL											
	Pan, Rear Floor (Prime)	207744	511, 512	1	1	1						1
	Pan, Rear Floor (Prime)	207745	511				1					1
	Pan, Rear Floor (Prime)	212666	512				1					1
	Panel, Lower Deck (Prime)	207746	511, 512	1	1	1	1	1	1	1	1	1
	Reinforcement, Lower Deck Panel (Prime)	207747	511, 512	1	1	1	1	1	1	1	1	1
	Well, Rear Floor Pan Tire (Prime)	207637	511, 512	8	8	8	8	8	8	8	8	8
	Plug, Floor Pan Button	207750	511, 512	4	4	4	4	4	4	4	4	4
	Plug, Floor Pan Button	205453	511, 512	1	1	1	1	1	1	1	1	1
	Bumper, Floor Pan Differential Housing	207808	511, 512	2	2	2	2	2	2	2	2	2
	Screw, No. 8-15 x 5/8" Rd. Hd. Cr. Rec.	837	511, 512	1	1	1	1	1	1	1	1	1
	Extension, Rear Floor Pan, Right (Prime)	207748	511, 512	1	1	1	1	1	1	1	1	1
30-7-7	Extension, Rear Floor Pan, Left (Prime)	207749	511, 512	1	1	1	1	1	1	1	1	1
	Cover, Spare Tire Well	207751	511	1	1	1	1	1	1	1	1	1
	Cover, Spare Tire Well	207751	512	1	1	1	1	1	1	1	1	1
	Cover, Spare Tire Well	212667	512				1					1
	Clip, Tire Well Cover Hold Down	208528	511, 512	1	1	1	1	1	1	1	1	1

FIGURE NUMBER	GROUP, PART NAME and DESCRIPTION	PART NUMBER	MODELS	BODY STYLES							
				4-DR. SED.	BUS. CRE.	2-DR. SED.	4-DR. UTILITY	CLUB CRE.	2-DR. UTILITY		
	30.058 - REAR FLOOR PAN AND LOWER DECK PANEL (Cont'd)										
	Rivet, 3/16" x 5/16" Rd. Hd. Solid. ....	208717	511, 512	2	2	2	2	2	2	2	
	Latch, Tire Well Cover Hold Down . . . . .	207754	511, 512	1	1	1	1	1	1	1	
	Springwasher . . . . .	207755	511, 512	1	1	1	1	1	1	1	
	Flatwasher . . . . .	207756	511, 512	1	1	1	1	1	1	1	
	Lockwasher, 3/8" Int. Tooth . . . . .	201	511, 512	1	1	1	1	1	1	1	
	Nut, 3/8" - 24 Hx. . . . .	188	511, 512	1	1	1	1	1	1	1	
	Stud, Tire Well Cover Hold Down . . . . .	208607	511, 512	1	1	1	1	1	1	1	
30-2-13	Ring, Tire Well Cover. . . . .	207757	511, 512	1	1	1	1	1	1	1	
30-2-14	Seal, Tire Well Cover (97.30" Long). . . . .	207752	511, 512	1	1	1	1	1	1	1	
	Anti-Squeak, Tire Well Cover (101 1/4" Long) . . . . .	207753	511, 512	1	1	1	1	1	1	1	



# 30.060 REAR COMPARTMENT (or) DECK LID, HINGES and PROP

FIGURE NUMBER	GROUP, PART NAME and DESCRIPTION	PART NUMBER	MODELS	BODY STYLES					
				4-DR. SED.	BUS. CPE	2-DR. SED.	4-DR. UTL.	CLUB CPE	2-DR. UTL.
	<b>30.062 - DECK LID AND WEATHERSTRIP</b>			1	3	4	5	7	0
30-1-3	Lid (less Handle and Lock) (Prime) . . . . .	207889	511, 512	1	1	1	1	1	1
	Lid (less Handle and Lock) Upper (Prime) . . . . .	207890	511, 512						
	Lid (less Handle and Lock) Lower (Prime) . . . . .	207891	511, 512						
30-2-7	Weatherstrip, Upper and Sides . . . . .	207892	511, 512	1	1	1	1	1	1
30-2-12	Weatherstrip, Bottom (46.70" Long) . . . . .	207896	511, 512	1	1	1	1	1	1
	Weatherstrip, Upper Lid, Top (33" Long) . . . . .	207894	511, 512						
	Weatherstrip, Sides (61" Long) . . . . .	208660	511, 512						
	Weatherstrip, Upper Lid, Lower (49.96" Long) . . . . .	207895	511, 512						
	Weatherstrip, Lower Lid, Bottom (46.70" Long) . . . . .	207896	511, 512						
	Bumper, Upper Lid Side . . . . .	208397	511, 512						
	Retainer, Upper Lid Side Bumper . . . . .	206622	511, 512						
	Screw, No. 8-15 x 3/8" Rd. Hd. Cr. Rec. Tap. . . . .	576	511, 512						
	<b>30.064 - DECK LID HINGES AND PROP</b>								
30-2-6	Hinge, Right . . . . .	207898	511, 512	1	1	1	1	1	1
30-2-21	Hinge, Left . . . . .	207899	511, 512	1	1	1	1	1	1
	Bolt, 5/16"-18 x 1 3/4" Hx. Hd. . . . .	587	511, 512	4	4	4	4	4	4
	Lockwasher, 5/16" Ext. Tooth . . . . .	348	511, 512	4	4	4	4	4	4
	Flatwasher . . . . .	201170	511, 512	4	4	4	4	4	4
	Bolt, 5/16"-18 x 9/16" Hx. Hd. . . . .	802	511, 512	4	4	4	4	4	4
	Lockwasher, 5/16" Int. Ext. Tooth . . . . .	226	511, 512	4	4	4	4	4	4
	Pin, Hinge . . . . .	212039	511, 512	2	2	2	2	2	2
	Spacer, Hinge Bolt (Hinge to Lid) . . . . .	207897	511, 512	2	2	2	2	2	2
	Gasket, Deck Lid Hinge (Hinge to Body) . . . . .	208026	511, 512	2	2	2	2	2	2
	Gasket, Deck Lid Hinge (Hinge to Lid) . . . . .	208027	511, 512	2	2	2	2	2	2
30-13-9	Hinge, Upper Lid . . . . .	207900	511, 512						
30-13-10	Screw with L/W (Hinge to Body) . . . . .	202119	511, 512						
	Screw with L/W . . . . .	202119	511, 512						
	Nut, 5/16"-24 Sq. . . . .	874	511, 512						
30-13-22	Hinge, Lower Lid (on Lid) . . . . .	207901	511, 512						
30-13-17	Bolt, 5/16"-18 x 7/8" Hx. Hd. . . . .	209	511, 512						
30-13-18	Lockwasher, 5/16" Ext. Tooth . . . . .	348	511, 512						
30-13-19	Gasket, Lower Lid Hinge . . . . .	208398	511, 512						
30-13-21	Hinge, Lower Lid, Right (on Body) . . . . .	207902	511, 512						
	Hinge, Lower Lid, Left (on Body) . . . . .	207903	511, 512						

# REAR COMPARTMENT (or) DECK LID, HINGES and PROP 30.060

FIGURE NUMBER	GROUP, PART NAME and DESCRIPTION	PART NUMBER	MODELS	BODY STYLES					
				4-DR. SED.	BUS. CPE.	2-DR. SED.	4-DR. UTIL.	CLUB CPE.	2-DR. UTIL.
<b>30.064 - DECK LID HINGES AND PROP (Cont'd)</b>									
30-13-20	Bolt, 5/16"-18 x 1 1/8" Hx. Hd. . . . .	296	511, 512					4	0
	Lockwasher, 5/16" Ext. Tooth . . . . .	348	511, 512					4	4
	Flatwasher, 5/16" Lg. . . . .	300	511, 512					4	4
	Grommet, Lower Lid Hinge, Right . . . . .	208028	511, 512					1	1
	Grommet, Lower Lid Hinge, Left . . . . .	208029	511, 512					1	1
	Pin, Lower Lid Hinge . . . . .	207904	511, 512					1	1
	Prop, Deck Lid . . . . .	207905	511, 512			1			
	Bolt, 1/4"-20 x 1/2" Hx. Hd. . . . .	179	511, 512			2			
	Lockwasher, 1/4" Ext. Tooth . . . . .	370	511, 512			2			
	Bolt . . . . .	208030	511, 512			1			
Springwasher . . . . .	208031	511, 512			1				
Lockwasher, 1/4" Med. . . . .	190	511, 512			1				
Nut, 1/4"-20 Lt. . . . .	203	511, 512			1				
Support, Upper Lid, Right . . . . .	207908	511, 512				1		1	
Support, Upper Lid, Left . . . . .	207907	511, 512				1		1	
Bolt, 1/4"-20 x 5/8" Hx. Hd. . . . .	257	511, 512				6		6	
Lockwasher, 1/4" Med. . . . .	190	511, 512				6		6	
Bolt, Lower Link to Bracket . . . . .	206627	511, 512				2		2	
Springwasher, Lower Link to Bracket . . . . .	203110	511, 512				2		2	
Spring, Upper Lid Support . . . . .	206522	511, 512				2		2	
Pivot, Upper Lid Support Spring . . . . .	206628	511, 512				2		2	
Stop, Upper Lid Support Link . . . . .	206808	511, 512				2		2	
Bracket, Upper Lid Support Locking . . . . .	207388	511, 512				2		2	
Bolt, 5/16"-18 x 7/8" Rd. Hd. Carriage . . . . .	806	511, 512				2		2	
Flatwasher, 5/16" Sm. . . . .	206805	511, 512				2		2	
Springwasher . . . . .	206806	511, 512				2		2	
Wing Nut, 5/16"-18 . . . . .	206807	511, 512				2		2	
Rivet, 3/8" x 9/16" Rd. Hd. Solid . . . . .	857	511, 512				2		2	
Springwasher . . . . .	203110	511, 512				2		2	
<b>30.068 - DECK LID HANDLE</b>									
30-3-23	Handle Complete . . . . .	207395	511, 512					1	1
30-3-3	Flatwasher . . . . .	207402	511, 512					1	1

NOTE: Handles as listed do not include Lock Cylinders.

# 30.060 REAR COMPARTMENT (or) DECK LID, HINGES and PROP

FIGURE NUMBER	GROUP, PART NAME and DESCRIPTION	PART NUMBER	MODELS	BODY STYLES						
				4-DR. SED.	BUS. CPE.	2-DR. SED.	4-DR. UTIL.	CUB. CPE.	2-DR. UTIL.	
	<b>30.068 - DECK LID HANDLE (Cont'd)</b>									
30-3-4	Springwasher.....	207400	511, 512	1						
30-3-5	Reinforcement.....	207401	511, 512	1	1			1		
	Cotter Pin (for Handle without Threaded Shaft).....	413	511, 512	1	1			1		
30-3-2	Nut (for Handle with Threaded Shaft).....	207403	511, 512	1	1			1		
30-13-39	Handle Complete, Lower Lid.....	207845	511, 512	1						1
30-13-31	Springwasher.....	208394	511, 512			1				2
30-13-32	Spacer.....	208395	511, 512			1				1
30-13-27	Flatwasher.....	201471	511, 512			1				1
30-13-26	Nut, 7/16"-14 Hx. Lt. Sl. ....	873	511, 512			1				1
30-13-25	Cotter Pin, 3/32".....	791	511, 512			1				1
30-13-52	Retainer, Handle Shaft.....	208396	511, 512			1				1
30-13-30	Bolt, 1/4"-20 x 5/8" Hx. Hd. ....	257	511, 512			1				2
	Lockwasher, 1/4" Med. ....	190	511, 512			1				2
	Escutcheon, Lower Lid Handle.....	206241	511, 512			1				1
30-13-40	Gasket, Escutcheon.....	206187	511, 512			1				1
30-3-19	Pawl, Deck Lid Handle.....	206243	511, 512	1	1			1		1
30-3-20	Spring, Deck Lid Handle Pawl.....	202362	511, 512	1	1			1		1
	Lock Cylinder and Key.....	203884	511, 512	1	1			1		1
	Lock Cylinder and Key Kit (incl. Cylinders and Keys for Deck Lid and Glove Box).....	207350	511, 512	1	1			1		1
	Key, Cut, Code No. K.F. 501 to 750.....	203887	511, 512	*	*			*	*	*
	Key, Blank, for Code No. K.F. 501 to 750.....	203882	511, 512	*	*			*	*	*
30-3-22	Cover, Handle Lock Cylinder.....	207396	511, 512	1	1			1		1
30-3-21	Rivet, Lock Cylinder Cover.....	207397	511, 512	1	1			1		1
30-3-24	Spring, Lock Cylinder Cover.....	207398	511, 512	1	1			1		1
30-3-25	Flatwasher, Lock Cylinder Cover.....	853	511, 512	1	1			1		1
30-3-18	Speednut, Lock Cylinder Cover.....	207399	511, 512	1	1			1		1
	Cover, Handle Lock Cylinder.....	206244	511, 512	1	1			1		1
	Screw, Handle Lock Cylinder Cover.....	206245	511, 512	1	1			1		1
	Spring, Handle Lock Cylinder Cover.....	206246	511, 512	1	1			1		1
	<b>30.0702 - LICENSE LIGHT</b>									
30-2-3	License Light Complete.....	207385	511, 512	1	1			1		1
30-3-6	Stud, Mounting.....	205500	511, 512	5	5			5		5
	Washer, Stud Sealing (Rubber).....	208569	511, 512	2	2			2		2

\* As Required



# REAR COMPARTMENT (or) DECK LID, HINGES and PROP 30.060

FIGURE NUMBER	GROUP, PART NAME and DESCRIPTION	PART NUMBER	MODELS	BODY STYLES					
				4-DR. SED.	BUS. CPE.	2-DR. SED.	4-DR. VTL.	CLUB CPE.	2-DR. VTL.
	30.0702 - LICENSE LIGHT (Cont'd)								
	Flatwasher, Stud Sealing	344	511, 512						
	Lockwasher, 1/4" Ext. Tooth	370	511, 512						
	Nut, 1/4"-20 Hx.	203	511, 512						
	Cupwasher	208033	511, 512						
	Cupwasher (Lock Type)	208034	511, 512						
30-13-11	License Light (Partial) (Prime)	212816	511, 512	1	1	1	1	1	1
	Bolt, 1/4"-20 x 5/8" Rd. Hd. Cr. Rec.	505	511, 512						
	Lockwasher, 1/4" Ext. Tooth	370	511, 512						
	Nut and Retainer	212575	511, 512						
30-3-1	Pad, License Light Mounting	208032	511, 512	1	1	1	1	1	1
	Pad, License Light Mounting	212565	511, 512						
	Bumper, License Light Brace	200539	511, 512						
30-3-12	Lens, License Light	207391	511, 512	1	1	1	1	1	1
30-13-14	Lens, License Light	206233	511, 512						
30-3-11	Retainer, License Light Lens	207393	511, 512	1	1	1	1	1	1
30-3-10	Screw with L/W	207394	511, 512						
30-3-13	Gasket, License Light Lens	207392	511, 512	2	2	2	2	2	2
30-13-13	Gasket, License Light Lens	206234	511, 512						
30-3-14	Door, License Light	207389	511, 512	1	1	1	1	1	1
30-3-15	Screw, License Light Door	207390	511, 512	1	1	1	1	1	1
30-3-16	Screw, No. 8-32 x 7/8" Ov. Hd. Sl. (Chrome)	852	511, 512	1	1	1	1	1	1
	Door, License Light, Right (Prime)	206530	511						
	Door, License Light, Left (Prime)	206529	511						
	Screw, No. 8-15 x 3/8" Rd. Hd. Cr. Rec. Tap.	576	511						
30-13-15	Door, License Light, Right (Chrome)	206235	512						
30-13-16	Door, License Light, Left (Chrome)	206236	512						
30-3-8	Screw, No. 8-15 x 3/8" Rd. Hd. Cr. Rec. Tap. (Chrome)	212570	512						
30-3-9	Cable and Socket	212571	511, 512	1	1	1	1	1	1
	Screw with L/W	207387	511, 512						
	Cable and Socket	212571	511, 512						
	Screw, No. 8-15 x 3/8" Rd. Hd. Cr. Rec. Tap.	576	511, 512						
30-3-17	Bulb	201600	511, 512	1	1	1	1	1	1
	Clip, License Light Cable and Socket	206292	511, 512						
	Clip, License Light Cable	205359	511, 512						
	Connector, "Y"	202180	511, 512						
	Bolt, License Light Hinge	212572	511, 512						
	Flatwasher, 7/16" Hy.	244	511, 512						

# 30.060 REAR COMPARTMENT (or) DECK LID, HINGES and PROP

FIGURE NUMBER	GROUP, PART NAME and DESCRIPTION	PART NUMBER	MODELS	BODY STYLES									
				4-DR. SED.	BUS. CPE.	2-DR. SED.	4-DR. UTIL.	CLUB CPE.	2-DR. UTIL.				
	30.0702 - LICENSE LIGHT (Cont'd)												
	Spacer	212573	511, 512										1
	Wing Nut	212574	511, 512										1
	30.074 - DECK LID LATCH AND STRIKER												
30-2-2	Latch and Link, Deck Lid Lock.	209651	511, 512										
	Support, Lid Lock Latch Pin	208040	511, 512										
	Springwasher	208042	511, 512										
	Lockwasher, 1/2" Int. Tooth	642	511, 512										
	Nut, 1/2"-20 Hx. Lt.	632	511, 512										
	Spring, Link to Inner Panel	200224	511, 512										
30-2-15	Striker, Deck Lid Lock Latch.	209652	511, 512										
	Bolt, 1/4"-20 x 5/8" Fl. Hd. Cr. Rec.	783	511, 512										
	Lockwasher, 1/4" Ext. Tooth	391	511, 512										
30-13-36	Lock, Lower Lid, Right	208045	511, 512										
30-13-23	Lock, Lower Lid, Left	208046	511, 512										
	Bolt, 1/4"-20 x 5/8" Rd. Hd. Cr. Rec.	505	511, 512										
	Lockwasher, 1/4" Ext. Tooth	370	511, 512										
	Cam, Lower Lid Lock.	208047	511, 512										
	Pin, Lower Lid Lock.	208048	511, 512										
	Spring, Lower Lid Lock	208049	511, 512										
	Lever, Lower Lid Lock.	208052	511, 512										
30-13-33	Clevis Pin	208412	511, 512										
30-13-38	Flatwasher, 1/4" Sm.	243	511, 512										
30-13-35	Cotter Pin, 1/16"	298	511, 512										
30-13-34	Striker, Lower Lid Lock	208054	511, 512										
30-13-46	Screw with L/W	208044	511, 512										
30-13-47	Flatwasher, 5/16"	225	511, 512										
30-13-45	Nut, 5/16"-24 Hx.	189	511, 512										
30-13-44	Cable, Lower Lid Support	208055	511, 512										
30-13-42	Clevis Pin	206315	511, 512										
30-13-43	Cotter Pin, 3/32"	791	511, 512										
30-13-41	Bracket, Lower Lid Support Cable, Right	208056	511, 512										
	Bracket, Lower Lid Support Cable, Left	208057	511, 512										
30-13-28	Plate, Lower Lid Lock Cover (Prime)	208058	511, 512										
30-13-24	Screw, No. 14-10 x 1/2" Rd. Hd. Cr. Rec. Tap.	619	511, 512										
	Flatwasher, 5/16" Sm.	225	511, 512										

# REAR COMPARTMENT (or) DECK LID, HINGES and PROP 30.060

FIGURE NUMBER	GROUP, PART NAME and DESCRIPTION	PART NUMBER	MODELS	BODY STYLES						
				4-DR. SED.	3-DR. CPE.	2-DR. SED.	4-DR. UTR.	3-DR. CPE.	2-DR. UTR.	
	<b>30.075 - REAR COMPARTMENT SKID STRIPS</b>									
	Strip, Rear Seat Back Skid (19.40" Long) . . . . .	209670	512				8			8
	Strip, Rear Seat Back Filler Skid (6.07" Long) . . . . .	209671	512				8			8
	Strip, Rear Floor Skid, Front (12.81" Long) . . . . .	207909	512				8			8
	Strip, Tire Well Cover Skid, Center (30.88" Long) . . . . .	207910	512				2			2
30-13-50	Strip, Tire Well Cover Skid, Intermediate (28.62" Long) . . . . .	207911	512				2			2
	Strip, Tire Well Cover Skid, Outer (22 1/2" Long) . . . . .	207912	512				2			2
	Strip, Rear Floor Side, Rear Skid, Inner (24" Long) . . . . .	207913	512				1			1
30-13-51	Strip, Rear Floor Side Skid, Intermediate (23" Long) . . . . .	207914	512				1			1
	Strip, Rear Floor Side, Rear Skid, Outer (17 1/2" Long) . . . . .	209672	512				1			1
30-13-48	Strip, Lower Lid Skid (15.62" Long) . . . . .	209673	512				8			8
	Screw, No. 10-12 x 3/4" Fl. Hd. Cr. Rec. Tap. (Chrome) . . . . .	970	512				*			*
	Screw, No. 10-24 x 3/4" Fl. Hd. Cr. Rec. (Chrome) . . . . .	971	512				*			*
	Lockwasher, No. 10 Ext. Tooth . . . . .	294	512				*			*
	Nut, No. 10-24 Hx. . . . .	378	512				*			*
	<b>30.076 - DECK LID NAME PLATE</b>									
30-2-9	Plate, Name "Darrin" . . . . .	200556	511, 512	1	1	1	1	1	1	1
	Speednut . . . . .	200557	511, 512	3	3	3	3	3	3	3

\* As Required



FIGURE NUMBER	GROUP, PART NAME and DESCRIPTION	PART NUMBER	MODELS	BODY STYLES					
				4-DR. SED.	BUS. CPE.	2-DR. SED.	4-DR. UTL.	CLUB CPE.	2-DR. UTL.
	<b>30.086 - REAR BELT MOULDING</b>			1	3	4	5	7	0
	Moulding, Right (used with Cloth Top) . . . . .	212965	512	1					
	Moulding, Left (used with Cloth Top) . . . . .	212966	512	1					
	Fastener . . . . .	213046	512	22					
	Fastener (incl. Stud) . . . . .	202600	512	2					
	Lockwasher, No. 10 Int. Ext. Tooth . . . . .	292	512	2					
	Nut, No. 10-32 Hx. . . . .	202	512	2					
	Cap, Belt Moulding, Right (used with Cloth Top) . . . . .	212967	512	1					
	Cap, Belt Moulding, Left (used with Cloth Top) . . . . .	212968	512	1					
	Screw, No. 6-18 x 1/2" Ov. Hd. Cr. Rec. Tap. . . . .	509	512	*					
	<b>30.087 - ROOF MOULDING</b>								
	Moulding, Roof Drain Trough, Right (used with Cloth Top) . . . . .	212969	512	1					
	Moulding, Roof Drain Trough, Left (used with Cloth Top) . . . . .	212970	512	1					
	Extension, Roof Drain Trough Moulding, Right (used with Cloth Top) . . . . .	212971	512	1					
	Extension, Roof Drain Trough Moulding, Left (used with Cloth Top) . . . . .	212972	512	1					
	Screw, No. 6-18 x 3/8" Rd. Hd. Cr. Rec. Tap. . . . .	756	512	*					
	<b>30.0901 - DOOR AND QUARTER PANEL BELT MOULDING</b>								
	Moulding (incl. Weatherstrip) Front Door, Right . . . . .	207586	512	1					
	Moulding (incl. Weatherstrip) Front Door, Left . . . . .	207587	512	1					
	Moulding (incl. Weatherstrip) Front Door, Right (Notched Type) . . . . .	212402	512	1			1		
	Moulding (incl. Weatherstrip) Front Door, Left (Notched Type) . . . . .	212403	512	1			1		
	Moulding (incl. Weatherstrip) Front Door, Right . . . . .	207588	512	1		1			
	Moulding (incl. Weatherstrip) Front Door, Left . . . . .	207589	512	1		1			
	Moulding (incl. Weatherstrip) Front Door, Right (Notched Type) . . . . .	212404	512	1		1			
	Moulding (incl. Weatherstrip) Front Door, Left (Notched Type) . . . . .	212405	512	1		1			
	Moulding (incl. Weatherstrip) Rear Door, Right . . . . .	207590	512	1					
	Moulding (incl. Weatherstrip) Rear Door, Left . . . . .	207591	512	1					
	Moulding (incl. Weatherstrip) Rear Door, Right (Notched Type) . . . . .	212406	512	1			1		
	Moulding (incl. Weatherstrip) Rear Door, Left (Notched Type) . . . . .	212407	512	1			1		
	Moulding (incl. Weatherstrip) Quarter Panel Window, Right . . . . .	207592	512	1					
	Moulding (incl. Weatherstrip) Quarter Panel Window, Left . . . . .	207593	512	1					
	Moulding (incl. Weatherstrip) Quarter Panel Window, Right (Notched Type) . . . . .	212408	512	1					1
	Moulding (incl. Weatherstrip) Quarter Panel Window, Left (Notched Type) . . . . .	212409	512	1					1

\* As Required

# BODY MOULDINGS

30.080

FIGURE NUMBER	GROUP, PART NAME and DESCRIPTION	PART NUMBER	MODELS	BODY STYLES						
				4-DR. SED.	BUS. CPE.	2-DR. SED.	4-DR. UTIL.	CLUB CPE.	2-DR. UTIL.	
	30.0901 - DOOR AND QUARTER PANEL BELT MOULDING (Cont'd)	212410 212411 756	512 512 512	*	*	*	*	1 1 *	7	0
30-4-14	Moulding (incl. Weatherstrip) Quarter Panel Window, Right (Notched Type). Moulding (incl. Weatherstrip) Quarter Panel Window, Left (Notched Type). Screw, No. 6-18 x 3/8" Rd. Hd. Cr. Rec. Tap. ....									
	30.0911 - RUB RAIL MOULDING									
30-4-12	Moulding, Front Fender Moulding, Front Fender, Right Moulding, Front Fender, Left	212782 207596 207597	511 512 512	2 1 1	1 1 1	1 1 1	4 4 4	4 4 4	2 1 1	1 1 1
30-4-7	Clip Clip Moulding, Front Door Moulding, Front Door, Right Moulding, Front Door, Left	212783 207598 212784 207599 207600	511 512 511 512 512	4 4 2 1 1	4 4 1 1 1	4 4 1 1 1	4 4 1 1 1	4 4 2 1 1	4 4 1 1 1	4 4 2 1 1
30-4-11	Clip Clip Moulding, Front Door Moulding, Front Door, Right Moulding, Front Door, Left	212783 207598 212785 207601 207602	511 512 511 512 512	8 8 2 1 1	8 8 1 1 1	8 8 1 1 1	8 8 1 1 1	8 8 1 1 1	8 8 1 1 1	8 8 1 1 1
30-4-7	Clip Clip Moulding, Rear Door, Right Moulding, Rear Door, Left Moulding, Rear Door, Right Moulding, Rear Door, Left	212783 207598 212786 212787 207603 207604	511 512 511 511 512 512	1 1 1 1 1 1	1 1 1 1 1 1	1 1 1 1 1 1	8 8 8 8 8 8	8 8 1 1 1 1	8 8 1 1 1 1	8 8 1 1 1 1
30-4-10	Clip Clip Moulding, Quarter Panel, Right Moulding, Quarter Panel, Left Moulding, Quarter Panel Moulding, Quarter Panel, Right Moulding, Quarter Panel, Left	212783 207598 212788 212789 212791 207605 207606	511 512 511 511 511 512 512	2 1 1 1 1 1 1	2 1 1 1 1 1 1	2 1 1 1 1 1 1	16 16 16 16 16 16 16	16 16 10 10 10 10 10	16 16 10 10 10 10 10	16 16 10 10 10 10 10
30-4-7	Clip Clip Moulding, Quarter Panel, Right Moulding, Quarter Panel, Left Moulding, Quarter Panel Moulding, Quarter Panel, Right Moulding, Quarter Panel, Left	212783 207598 212788 212789 212791 207605 207606	511 512 511 511 511 512 512	10 16 16 16 16 16 16	16 16 10 10 10 10 10	16 16 10 10 10 10 10	6 6 6 6 6 6 6	6 6 1 1 1 1 1	6 6 1 1 1 1 1	6 6 1 1 1 1 1
30-4-9	Cover, Rear Wheel Opening, Right Cover, Rear Wheel Opening, Left	207598 207607 207608	512 512 512	1 1 1	1 1 1	1 1 1	1 1 1	1 1 1	1 1 1	1 1 1

\* As Required

FIGURE NUMBER	GROUP, PART NAME and DESCRIPTION	PART NUMBER	MODELS	BODY STYLES					
				4-DR. SED.	8US. CPE	2-DR. SED.	4-DR. UTL.	CLUB CPE	2-DR. UTL.
	30.0911 - RUB RAIL MOULDING (Cont'd)			1	3	4	5	7	0
	Cover, Rear Wheel Opening, Right	207609	512		1	1		1	1
	Cover, Rear Wheel Opening, Left	207610	512		1	1		1	1
	Catch, Rear Wheel Opening Cover, Right	207611	512	2	2	2	2	2	2
	Catch, Rear Wheel Opening Cover, Left	207612	512	8	8	8	8	8	8
	Screw, No. 10-12 x 3/8" Rd. Hd. Cr. Rec. Tap.	609	512	4	4	4	4	4	4
	Clip, Rear Wheel Opening Cover Catch	207615	512	8	8	8	8	8	8
	Screw, No. 10-12 x 3/8" Rd. Hd. Cr. Rec. Tap.	609	512	2	2	2	2	2	2
	Stop, Rear Wheel Opening Cover	208711	512	4	4	4	4	4	4
	Screw, No. 10-12 x 3/8" Rd. Hd. Cr. Rec. Tap.	609	512	2	2	2	2	2	2
	Retainer, Rear Wheel Opening Cover Catch, Right	207613	512	2	2	2	2	2	2
	Retainer, Rear Wheel Opening Cover Catch, Left	207614	512	2	2	2	2	2	2
	Moulding, Quarter Panel Extension, Right	207616	512	1	1	1	1	1	1
30-4-8	Moulding, Quarter Panel Extension, Left	207617	512	1	1	1	1	1	1
30-4-7	Clip (with Studs)	207598	512	6	6	6	6	6	6
	Lockwasher, No. 10 Int. Ext. Tooth	212860	512	4	4	4	4	4	4
	Nut, No. 10-32 Hx.	292	512	4	4	4	4	4	4
		202	512	4	4	4	4	4	4
	30.0915 - REVEAL MOULDING								
30-8-1	Moulding, Windshield, Upper, Right	207618	511, 512	1	1	1	1	1	1
30-8-10	Moulding, Windshield, Upper, Left	207619	511, 512	1	1	1	1	1	1
30-8-12	Moulding, Windshield, Lower	207620	511, 512	1	1	1	1	1	1
30-8-11	Clip, Windshield Moulding, Corner	207621	511, 512	2	2	2	2	2	2
	Clip, Windshield Moulding, Center	207649	511, 512	1	1	1	1	1	1
	Moulding (incl. Weatherstrip) Front Door, Upper, Right (Flat Type)	207622	511, 512	1	1	1	1	1	1
	Moulding (incl. Weatherstrip) Front Door, Upper, Left (Flat Type)	207623	511, 512	1	1	1	1	1	1
	Moulding (incl. Weatherstrip) Front Door, Upper, Right (Crown Type)	212412	511, 512	1	1	1	1	1	1
	Moulding (incl. Weatherstrip) Front Door, Upper, Left (Crown Type)	212413	511, 512	1	1	1	1	1	1
30-4-2	Moulding (incl. Weatherstrip) Front Door, Upper, Right (Flat Type)	207624	511, 512	1	1	1	1	1	1
	Moulding (incl. Weatherstrip) Front Door, Upper, Left (Flat Type)	207625	511, 512	1	1	1	1	1	1
	Moulding (incl. Weatherstrip) Front Door, Upper, Right (Crown Type)	212414	511, 512	1	1	1	1	1	1
	Moulding (incl. Weatherstrip) Front Door, Upper, Left (Crown Type)	212415	511, 512	1	1	1	1	1	1
	Clip (Joint) Right (use with Flat Type Moulding)	207626	511, 512	2	2	2	2	2	2
	Clip (Joint) Left (use with Flat Type Moulding)	207627	511, 512	2	2	2	2	2	2
	Moulding, Front Door Vent, Right	207628	511, 512	1	1	1	1	1	1

\* As Required



# BODY MOULDINGS

30.080

FIGURE NUMBER	GROUP, PART NAME and DESCRIPTION	PART NUMBER	MODELS	BODY STYLES					
				4-DR. SED.	BUS. CPE.	2-DR. SED.	4-DR. UTIL.	CLUB CPE.	2-DR. UTIL.
	30.0915 - REVEAL MOULDING (Cont'd)			1	3	4	5	7	0
30-4-1	Moulding, Front Door Vent., Left . . . . .	207629	511, 512	1	1	1	1	1	1
	Clip, Moulding . . . . .	207630	511, 512	*	*	*	*	*	*
	Moulding (incl. Weatherstrip) Front Door, Vertical, Right (Flat Type) . . . . .	207631	511, 512	1	1	1	1	1	1
	Moulding (incl. Weatherstrip) Front Door, Vertical, Left (Flat Type) . . . . .	207632	511, 512	1	1	1	1	1	1
	Moulding (incl. Weatherstrip) Front Door, Vertical, Right (Crown Type) . . . . .	212416	511, 512	1	1	1	1	1	1
	Moulding (incl. Weatherstrip) Front Door, Vertical, Left (Crown Type) . . . . .	212417	511, 512	1	1	1	1	1	1
30-4-3	Moulding (incl. Weatherstrip) Rear Door, Upper Right (Flat Type) . . . . .	207633	511, 512	1	1	1	1	1	1
	Moulding (incl. Weatherstrip) Rear Door, Upper, Left (Flat Type) . . . . .	207634	511, 512	1	1	1	1	1	1
	Moulding (incl. Weatherstrip) Rear Door, Upper, Right (Crown Type) . . . . .	212418	511, 512	1	1	1	1	1	1
	Moulding (incl. Weatherstrip) Rear Door, Upper, Left (Crown Type) . . . . .	212419	511, 512	1	1	1	1	1	1
30-4-5	Moulding, Rear Door Vent., Right . . . . .	207635	511, 512	1	1	1	1	1	1
	Moulding, Rear Door Vent., Left . . . . .	207636	511, 512	1	1	1	1	1	1
30-4-6	Clip, Door Vent. Moulding . . . . .	207630	511, 512	*	*	*	*	*	*
	Clip, Window Moulding (used with Flat Type Moulding) . . . . .	207638	511, 512	16	16	16	16	16	16
	Clip, Window Moulding (used with Crown Type Moulding) . . . . .	212713	511, 512	16	16	16	16	16	16
	Moulding (incl. Weatherstrip) Rear Door, Vertical, Right (Flat Type) . . . . .	207631	511, 512	1	1	1	1	1	1
	Moulding (incl. Weatherstrip) Rear Door, Vertical, Left (Flat Type) . . . . .	207632	511, 512	1	1	1	1	1	1
	Moulding (incl. Weatherstrip) Rear Door, Vertical, Right (Crown Type) . . . . .	212416	511, 512	1	1	1	1	1	1
	Moulding (incl. Weatherstrip) Rear Door, Vertical, Left (Crown Type) . . . . .	212417	511, 512	1	1	1	1	1	1
30-4-3	Moulding (incl. Weatherstrip) Quarter Panel Window, Upper, Right (Flat Type) . . . . .	207639	511, 512	1	1	1	1	1	1
	Moulding (incl. Weatherstrip) Quarter Panel Window, Upper, Left (Flat Type) . . . . .	207640	511, 512	1	1	1	1	1	1
	Moulding (incl. Weatherstrip) Quarter Panel Window, Upper, Right (Crown Type) . . . . .	212420	511, 512	1	1	1	1	1	1
	Moulding (incl. Weatherstrip) Quarter Panel Window, Upper, Left (Crown Type) . . . . .	212421	511, 512	1	1	1	1	1	1
	Moulding (incl. Weatherstrip) Quarter Panel Window, Upper, Right (Crown Type) . . . . .	212422	511, 512	1	1	1	1	1	1
	Moulding (incl. Weatherstrip) Quarter Panel Window, Upper, Left (Crown Type) . . . . .	212423	511, 512	1	1	1	1	1	1
	Moulding (less Weatherstrip) Quarter Panel Window, Upper, Right (Crown Type) (used with Stationary Window) . . . . .	212960	511, 512	1	1	1	1	1	1
	Moulding (less Weatherstrip) Quarter Panel Window, Upper, Left (Crown Type) (used with Stationary Window) . . . . .	212961	511, 512	1	1	1	1	1	1
	Moulding (incl. Weatherstrip) Quarter Panel Window, Vertical, Right (Flat Type) . . . . .	207631	511, 512	1	1	1	1	1	1

\* As Required

BODY MOULDINGS

FIGURE NUMBER	GROUP, PART NAME and DESCRIPTION	PART NUMBER	MODELS	BODY STYLES					
				4-DR. SED.	BUS. CPE.	2-DR. SED.	4-DR. UTL.	CLUS. CPE.	2-DR. UTL.
	30.0915 - REVEAL MOULDING (Cont'd)			1	3	4	5	7	0
	Moulding (incl. Weatherstrip) Quarter Panel Window, Vertical, Left (Flat Type)	207632	511, 512			1			
	Moulding (incl. Weatherstrip) Quarter Panel Window, Vertical, Right (Crown Type)	212416	511, 512		1	1		1	1
	Moulding (incl. Weatherstrip) Quarter Panel Window, Vertical, Left (Crown Type)	212417	511, 512		1	1		1	1
	Moulding (less Weatherstrip) Quarter Panel Window, Vertical, Right (Crown Type) (used with Stationary Window)	212962	511, 512		1				
	Moulding (less Weatherstrip) Quarter Panel Window, Vertical, Left (Crown Type) (used with Stationary Window)	212963	511, 512		1				
	Moulding, Rear Window, Upper, Right	207643	511, 512	1	1	1		1	
	Moulding, Rear Window, Upper, Left	207644	511, 512	1	1	1		1	
	Moulding, Rear Window, Upper, Right	207645	511, 512				1		1
	Moulding, Rear Window, Upper, Left	207646	511, 512	1	1	1		1	1
	Moulding, Rear Window, Lower	207647	511, 512				1		
	Moulding, Rear Window, Lower	207648	511, 512				1		
	Clip (Joint) Moulding, Center	207649	511, 512	1	1	1	1	1	1
	Clip (Joint) Moulding, Corner	207650	511, 512	2	2	2	2	2	2
	Clip (Joint) Moulding, Corner	207621	511, 512						
30-2-5	30.094 - WINDSHIELD DIVISION BAR - OUTER								
	Bar, Division	207651	511, 512	1	1	1	1	1	1
30-8-14	30.099 - MOULDING CLIP KIT								
	Kit (Zip Clip)	213048	511, 512	*	*	*	*	*	*
	Clip, Moulding (incl. Stud)	213049	511, 512	*	*	*	*	*	*
	Spring Clip, Moulding, 1/4"	213050	511, 512	*	*	*	*	*	*
	Spring Clip, Moulding, 9/32"	213051	511, 512	*	*	*	*	*	*
	Spring Clip, Moulding, 5/16"	213052	511, 512	*	*	*	*	*	*
	Spring Clip, Moulding, 3/8"	213054	511, 512	*	*	*	*	*	*
	Spring Clip, Moulding, 17/32"	213053	511, 512	*	*	*	*	*	*
	Spring, Clip Backing	213055	511, 512	*	*	*	*	*	*
	Base Strip, Moulding Clip	213056	511, 512	*	*	*	*	*	*
	Gauge	213057	511, 512	*	*	*	*	*	*
	Breaking Tool	213058	511, 512	*	*	*	*	*	*

\* As Required

**BODY DOORS, LOCKS, HINGES, HANDLES and REMOTE CONTROLS 30.100**

FIGURE NUMBER	GROUP, PART NAME and DESCRIPTION	PART NUMBER	MODELS	BODY STYLES					
				4-DR. SED.	BUS. CRE.	2-DR. SED.	4-DR. VTL.	CLUB CRE.	2-DR. VTL.
<b>30.101 - FRONT DOOR GARNISH MOULDING AND WEATHERSTRIP</b>									
30-5-5	Moulding, Right (Prime)	207795	511, 512	1			1		
	Moulding, Left (Prime)	207796	511, 512	1			1		
	Moulding, Right (Prime)	207915	511, 512		1	1		1	1
30-6-5	Moulding, Left (Prime)	207916	511, 512	*	*	*	*	*	*
	Screw, No. 10-12 x 7/8" Ov. Hd. Cr. Rec. Tap. (Chrome) (Upper)	630	511, 512	*	*	*	*	*	*
	Screw, No. 8-15 x 7/8" Ov. Hd. Cr. Rec. Tap. (Lower)	858	511, 512						
30-5-6	Weatherstrip (incl. Clip) Upper, Inner, Right	207800	511, 512	1			1		
	Weatherstrip (incl. Clip) Upper, Inner, Left	207801	511, 512	1			1		
30-5-9	Weatherstrip (incl. Clip) Vertical, Inner	207802	511, 512	2			2		
30-5-11	Weatherstrip (incl. Clip) Lower, Inner	207803	511, 512	2			2		
	Clip, Weatherstrip	207831	511, 512	*	*	*	*	*	*
	Weatherstrip (incl. Clip) Lower, Outer	207804	511, 512	*			*		
	Clip, Weatherstrip	207810	511, 512						
	Weatherstrip (incl. Clip) Upper, Inner, Right	207806	511, 512	1		1	1	1	1
30-6-4	Weatherstrip (incl. Clip) Upper, Inner, Left	207807	511, 512	1		1	1	1	1
30-6-2	Weatherstrip (incl. Clip) Vertical, Inner	207802	511, 512	2		2	2	2	2
30-6-54	Weatherstrip (incl. Clip) Lower, Inner	207809	511, 512	2		2	2	2	2
	Clip, Weatherstrip	207831	511, 512	*	*	*	*	*	*
	Weatherstrip (incl. Clip) Lower, Outer	207805	511	2		2	2	2	2
	Clip, Weatherstrip	207810	511	*		*	*	*	*
<b>30.102 - FRONT DOORS (PRIME)</b>									
30-5-31	Door, Right	207811	511, 512	1			1		
30-1-11	Door, Left	207812	511, 512	1			1		
	Door, Right	207813	511, 512		1	1		1	1
30-6-34	Door, Left	207814	511, 512		1	1		1	1
	Weatherseal, Front Door Inner Panel	208348	511, 512	2			2		
	Weatherseal, Front Door Inner Panel	212984	511, 512						
30-5-30	Weatherstrip, Door Hinge Pillar (48" Long)	208715	511, 512	2		2	2	2	2
30-5-29	Weatherstrip, Front Door Opening (100.50" Long)	208714	511, 512	2			2		
30-6-33	Weatherseal, Front Door Opening (132" Long)	207821	511, 512						
<b>30.104 - FRONT DOOR LOCKS</b>									
30-5-21	Lock, Right	207822	511, 512	1			1		

\* As Required



# 30.100 BODY DOORS, LOCKS, HINGES, HANDLES and REMOTE CONTROLS

FIGURE NUMBER	GROUP, PART NAME and DESCRIPTION	PART NUMBER	MODELS	BODY STYLES						
				4-DR. SED.	BUS. CPE.	2-DR. SED.	4-DR. UTIL.	4-DR. UTIL.	2-DR. UTIL.	
	<b>30.104 - FRONT DOOR LOCKS (Cont'd)</b>									
30-6-45	Lock, Left . . . . .	207823	511, 512	1	1	1	1	1	1	0
	Screw with L/W . . . . .	205252	511, 512	4	4	4	4	4	4	7
30-5-19	Rod, Door Lock Push, Right . . . . .	207824	511, 512	1	1	1	1	1	1	1
30-6-43	Rod, Door Lock Push, Left . . . . .	207825	511, 512	1	1	1	1	1	1	1
30-5-18	Knob, Door Lock Push Rod (Plastic) . . . . .	208951	511, 512	2	2	2	2	2	2	2
30-5-22	Plate, Striker (incl. Pin) Right . . . . .	200578	511, 512	1	1	1	1	1	1	1
30-1-15	Plate, Striker (incl. Pin) Left . . . . .	200579	511, 512	1	1	1	1	1	1	1
	Screw, Striker Plate . . . . .	206303	511, 512	4	4	4	4	4	4	4
	Lockwasher, Striker Plate . . . . .	202234	511, 512	4	4	4	4	4	4	4
30-5-23	Shim, Striker Plate . . . . .	202251	511, 512	*	*	*	*	*	*	*
	<b>30.106 - FRONT DOOR LOCK REMOTE CONTROL AND HANDLES</b>									
30-5-16	Remote Control and Link, Right . . . . .	207827	511, 512	1	1	1	1	1	1	1
	Remote Control and Link, Left . . . . .	207828	511, 512	1	1	1	1	1	1	1
	Remote Control and Link, Right . . . . .	207829	511, 512	1	1	1	1	1	1	1
30-6-48	Remote Control and Link, Left . . . . .	207830	511, 512	1	1	1	1	1	1	1
	Screw, No. 12-24 x 7/16" Rd. Hd. Cr. Rec. . . . .	684	511, 512	6	6	6	6	6	6	6
	Lockwasher, No. 12 Ext. Tooth . . . . .	741	511, 512	6	6	6	6	6	6	6
30-5-26	Handle, Remote Control . . . . .	207832	511, 512	2	2	2	2	2	2	2
30-5-27	Pin, Handle . . . . .	202313	511, 512	2	2	2	2	2	2	2
30-5-25	Escutcheon, Handle . . . . .	207833	511, 512	2	2	2	2	2	2	2
30-5-24	Spring, Handle Escutcheon . . . . .	209515	511, 512	2	2	2	2	2	2	2
	<b>30.108 - FRONT DOOR HINGES</b>									
30-5-49	Hinge, Upper, Right . . . . .	207834	511, 512	1	1	1	1	1	1	1
30-6-11	Hinge, Upper, Left . . . . .	207835	511, 512	1	1	1	1	1	1	1
30-5-32	Hinge, Lower, Right . . . . .	207836	511, 512	1	1	1	1	1	1	1
30-1-12	Hinge, Lower, Left . . . . .	207837	511, 512	1	1	1	1	1	1	1
	Screw with L/W . . . . .	202119	511, 512	*	*	*	*	*	*	*
	Pin, Door Hinge . . . . .	207838	511, 512	2	2	2	2	2	2	2
30-5-48	Anti-Squeak, Upper Hinge (to Door) . . . . .	207839	511, 512	2	2	2	2	2	2	2
30-6-12	Anti-Squeak, Upper Hinge (to Body) . . . . .	207840	511, 512	2	2	2	2	2	2	2
30-6-32	Anti-Squeak, Lower Hinge (to Door) . . . . .	207841	511, 512	2	2	2	2	2	2	2
30-5-33	Anti-Squeak, Lower Hinge (to Body) . . . . .	207842	511, 512	2	2	2	2	2	2	2

\* As Required

FIGURE NUMBER	GROUP, PART NAME and DESCRIPTION	PART NUMBER	MODELS	BODY STYLES						
				4-DR. STD.	BUS. CFE.	2-DR. STD.	4-DR. UTIL.	CLUB CFE.	2-DR. UTIL.	
	30.108 - FRONT DOOR HINGES (Cont'd)									
	Shim, Upper Hinge to Body.....	209654	511, 512	2	2	2	2	2	2	2
	Shim, Lower Hinge to Body.....	209653	511, 512	2	2	2	2	2	2	2
	30.112 - FRONT DOOR CHECK ARM									
30-5-47	Arm, Door Check.....	207843	511, 512	2	2	2	2	2	2	2
30-5-46	Pin, 1/4" x 7/16".....	201569	511, 512	2	2	2	2	2	2	2
30-6-24	Guide, Door Check Arm.....	206021	511, 512	2	2	2	2	2	2	2
	Screw, No. 10-32 x 3/8" Rd. Hd. Cr. Rec. ....	577	511, 512	4	4	4	4	4	4	4
	Lockwasher, No. 10 Int. Tooth.....	259	511, 512	4	4	4	4	4	4	4
	Nut, No. 10-32 Hx. ....	202	511, 512	4	4	4	4	4	4	4
30-5-45	Bracket, Door Check Arm Pivot.....	207946	511, 512	2	2	2	2	2	2	2
	Rivet, 3/16" x 11/32" Ov. Hd. ....	687	511, 512	2	2	2	2	2	2	2
	30.114 - FRONT DOOR HANDLES AND LOCKS									
30-5-17	Handle.....	207844	511, 512	2	2	2	2	2	2	2
	Screw, No. 12-24 x 7/16" Rd. Hd. Cr. Rec. ....	684	511, 512	2	2	2	2	2	2	2
	Lockwasher, No. 12 Ext. Tooth.....	741	511, 512	2	2	2	2	2	2	2
	Escutcheon, Door Handle.....	207846	511, 512	2	2	2	2	2	2	2
	Pin, Door Handle Actuator.....	207847	511, 512	2	2	2	2	2	2	2
	Pin, Door Handle Pivot.....	207848	511, 512	2	2	2	2	2	2	2
	Spring, Door Handle.....	207849	511, 512	2	2	2	2	2	2	2
	Bearing, Door Handle.....	207850	511, 512	2	2	2	2	2	2	2
	Bracket, Door Handle Anchor.....	208668	511, 512	2	2	2	2	2	2	2
	"J" Bolt.....	208669	511, 512	2	2	2	2	2	2	2
	Lockwasher, No. 10 Ext. Tooth.....	294	511, 512	2	2	2	2	2	2	2
	Nut, No. 10-24 Hx. ....	378	511, 512	2	2	2	2	2	2	2
30-5-20	Lock Cylinder and Key, Right.....	207345	511, 512	1	1	1	1	1	1	1
30-6-46	Lock Cylinder and Key, Left.....	207346	511, 512	1	1	1	1	1	1	1
	Lock Cylinder and Key Kit (incl. Door Lock Cylinders, Ignition Lock Cylinder and Keys).....	207347	511, 512	1	1	1	1	1	1	1
	Key, Cut, Code No. K.F. 501 to 750.....	203887	511, 512	1	1	1	1	1	1	1
	Key, Blank, for Code No. K. F. 501 to 750.....	203882	511, 512	2	2	2	2	2	2	2
	Retainer.....	207851	511, 512	2	2	2	2	2	2	2
	Set Screw.....	207852	511, 512	2	2	2	2	2	2	2
	Retainer (Door Lock Cylinder to Stem).....	212981	511, 512	2	2	2	2	2	2	2

\* As Required

# 30.100 BODY DOORS, LOCKS, HINGES, HANDLES and REMOTE CONTROLS

FIGURE NUMBER	GROUP, PART NAME and DESCRIPTION	PART NUMBER	MODELS	BODY STYLES								
				4-OR. SEP.	BUS. CPE.	2-OR. SEP.	4-OR. UTL.	CLUB CPE.	2-OR. UTL.			
	<b>30.119 - REAR DOOR AND QUARTER PANEL WINDOW GARNISH MOULDING AND WEATHERSTRIP</b>											
	Moulding, Door, Right (Prime) . . . . .	207853	511, 512									
	Moulding, Door, Left (Prime) . . . . .	207854	511, 512									
	Screw, No. 10-12 x 7/8" Ov. Hd. Cr. Rec. Tap. (Chrome) (Upper) . . . . .	630	511, 512				1					
	Screw, No. 8-15 x 7/8" Ov. Hd. Cr. Rec. Tap. (Lower) . . . . .	858	511, 512				*					
	Moulding, Quarter Panel Glass, Right (Prime) . . . . .	207857	511, 512			1						1
	Moulding, Quarter Panel Glass, Left (Prime) . . . . .	207858	511, 512			1						1
	Moulding, Quarter Panel Glass, Right (Prime) . . . . .	208007	511, 512									
	Moulding, Quarter Panel Glass, Left (Prime) . . . . .	208008	511, 512									
	Screw, No. 8-15 x 2" Ov. Hd. Cr. Rec. Tap. (Chrome) (Upper) . . . . .	871	511, 512									
	Screw, No. 8-15 x 1" Ov. Hd. Cr. Rec. Tap. (Chrome) (Lower) . . . . .	793	511, 512									
	Weatherstrip (incl. Clip) Door, Upper, Inner, Right . . . . .	207861	511, 512									
	Weatherstrip (incl. Clip) Door, Upper, Inner, Left . . . . .	207862	511, 512									
	Weatherstrip (incl. Clip) Door, Vertical, Inner . . . . .	207802	511, 512									
	Weatherstrip (incl. Clip) Door, Lower, Inner . . . . .	207863	511, 512									
	Clip, Weatherstrip . . . . .	207831	511, 512									
	Weatherstrip (incl. Clip) Door, Lower, Outer . . . . .	207864	511									
	Clip, Weatherstrip . . . . .	207810	511									
	Weatherstrip (incl. Clip) Quarter Panel Glass, Upper, Inner, Right . . . . .	207865	511, 512									
	Weatherstrip (incl. Clip) Quarter Panel Glass, Upper, Inner, Left . . . . .	207866	511, 512									
	Weatherstrip (incl. Clip) Quarter Panel Glass, Upper, Inner, Right . . . . .	208009	511, 512									
	Weatherstrip (incl. Clip) Quarter Panel Glass, Upper, Inner, Left . . . . .	208010	511, 512									
	Weatherstrip (incl. Clip) Quarter Panel Glass, Vertical, Inner . . . . .	207802	511, 512									
	Weatherstrip (incl. Clip) Quarter Panel Glass, Lower, Inner . . . . .	207868	511, 512									
	Weatherstrip (incl. Clip) Quarter Panel Glass, Lower, Inner . . . . .	208011	511, 512									
	Clip, Weatherstrip . . . . .	207831	511, 512									
	Weatherstrip (incl. Clip) Quarter Panel Glass, Lower, Outer . . . . .	207869	511									
	Weatherstrip (incl. Clip) Quarter Panel Glass, Lower, Outer, Right . . . . .	208012	511									
	Weatherstrip (incl. Clip) Quarter Panel Glass, Lower, Outer, Left . . . . .	208013	511									
	Clip, Weatherstrip . . . . .	207810	511									
	<b>30.120 - REAR DOORS (PRIME)</b>											
	Door, Right . . . . .	207870	511, 512									
	Door, Left . . . . .	207871	511, 512									
	Weatherseal, Rear Door Inner Panel . . . . .	208349	511, 512									
30-1-10												

\* As Required



FIGURE NUMBER	GROUP, PART NAME and DESCRIPTION	PART NUMBER	MODELS	BODY STYLES						
				4-DR. SED.	BUS. CPE.	2-DR. SED.	4-DR. UTIL.	CLUB CPE.	2-DR. UTIL.	
	<b>30.120 - REAR DOORS (PRIME) (Cont'd)</b>									
	Weatherstrip, Door Hinge Pillar, Lower (48" Long) . . . . .	208715	511, 512							
	Weatherseal, Rear Door Opening (116" Long) . . . . .	208716	511, 512	2			2			
	<b>30.122 - REAR DOOR LOCKS</b>									
	Lock, Right . . . . .	207877	511, 512	1			1			
	Lock, Left . . . . .	207878	511, 512	1			1			
	Screw with L/W . . . . .	205252	511, 512	4			4			
	Rod, Door Lock Push . . . . .	207879	511, 512	2			2			
	Knob, Door Lock Push Rod (Plastic) . . . . .	208951	511, 512	2			2			
	Link, Door Lock Push Rod, Right . . . . .	207880	511, 512	1			1			
	Link, Door Lock Push Rod, Left . . . . .	207881	511, 512	1			1			
	Bellcrank, Locking Rod, Right . . . . .	209896	511, 512	1			1			
	Bellcrank, Locking Rod, Left . . . . .	209897	511, 512	1			1			
	Plate, Striker (incl. Pin) Right . . . . .	200578	511, 512	1			1			
	Plate, Striker (incl. Pin) Left . . . . .	200579	511, 512	1			1			
	Screw, Striker Plate . . . . .	206303	511, 512	4			4			
	Lockwasher, Striker Plate . . . . .	202234	511, 512	4			4			
	Shim, Striker Plate . . . . .	202251	511, 512	*			*			
	<b>30.124 - REAR DOOR LOCK REMOTE CONTROLS</b>									
	Remote Control and Link, Right . . . . .	207882	511, 512	1			1			
	Remote Control and Link, Left . . . . .	207883	511, 512	1			1			
	Screw, No. 12-24 x 7/16" Rd. Hd. Cr. Rec. . . . .	684	511, 512	6			6			
	Lockwasher, No. 12 Ext. Tooth . . . . .	741	511, 512	6			6			
	Handle, Remote Control . . . . .	207832	511, 512	2			2			
	Pin, Handle . . . . .	202313	511, 512	2			2			
	Escutcheon, Handle . . . . .	207833	511, 512	2			2			
	Spring, Handle Escutcheon . . . . .	209515	511, 512	2			2			
	<b>30.126 - REAR DOOR HINGES</b>									
	Hinge, Right . . . . .	207884	511, 512	2			2			
	Hinge, Left . . . . .	207885	511, 512	2			2			
	Screw with L/W . . . . .	202119	511, 512	*			*			

\* As Required

# 30.100 BODY DOORS, LOCKS, HINGES, HANDLES and REMOTE CONTROLS

FIGURE NUMBER	GROUP, PART NAME and DESCRIPTION	PART NUMBER	MODELS	BODY STYLES					
				4-DR. SED.	BUS. CPE.	2-DR. SED.	4-DR. UTIL.	CLUB CPE.	2-DR. UTIL.
	30.126 - REAR DOOR HINGES (Cont'd)			1	2	4	5	7	0
	Pin, Door Hinge . . . . .	207838	511, 512	2			2		
	Anti-Squeak, Door Hinge (to Door) . . . . .	207886	511, 512	2			2		
	Anti-Squeak, Door Hinge (to Body) . . . . .	207887	511, 512	4			4		
	Shim, Lower Hinge to Body . . . . .	209653	511, 512	4			4		
	30.132 - REAR DOOR CHECK ARM								
	Arm, Door Check . . . . .	207888	511, 512	2			2		
	Pin, 1/4" x 7/16" . . . . .	201569	511, 512	2			2		
	Guide, Door Check Arm . . . . .	206021	511, 512	2			2		
	Screw, No. 10-32 x 3/8" Rd. Hd. Cr. Rec. . . . .	577	511, 512	4			4		
	Lockwasher, No. 10 Int. Tooth . . . . .	259	511, 512	4			4		
	Nut, No. 10-32 Hx. . . . .	202	511, 512	4			4		
	Bracket, Door Check Arm Pivot . . . . .	207946	511, 512	2			2		
	Rivet, 3/16" x 11/32" Ov. Hd. . . . .	687	511, 512	2			2		
	30.134 - REAR DOOR HANDLES								
	Handle . . . . .	207844	511, 512	2			2		
	Screw, No. 12-24 x 7/16" Rd. Hd. Cr. Rec. . . . .	684	511, 512	2			2		
	Lockwasher, No. 12 Ext. Tooth . . . . .	741	511, 512	2			2		
	Escutcheon, Door Handle . . . . .	207846	511, 512	2			2		
	Pin, Door Handle Actuator . . . . .	207847	511, 512	2			2		
	Pin, Door Handle Pivot . . . . .	207848	511, 512	2			2		
	Spring, Door Handle . . . . .	207849	511, 512	2			2		
	Bearing, Door Handle . . . . .	207850	511, 512	2			2		
	Bracket, Door Handle Anchor . . . . .	208668	511, 512	2			2		
	"J" Bolt . . . . .	208669	511, 512	2			2		
	Lockwasher, No. 10 Ext. Tooth . . . . .	294	511, 512	2			2		
	Nut, No. 10-24 Hx. . . . .	378	511, 512	2			2		

FIGURE NUMBER	GROUP, PART NAME and DESCRIPTION	PART NUMBER	MODELS	BODY STYLES					
				4-DR. SED.	BUS. CPE.	2-DR. SED.	4-DR. UTIL.	CLUB CPE.	2-DR. UTIL.
	30.201 - DOOR, VENTILATOR AND QUARTER PANEL WINDOW GLASS.  HOW TO ORDER GLASS  Only curved glass is carried in stock. When replacement of glass not stocked is necessary, requirements should be procured from the stores or warehouses of Libbey-Owens-Ford Glass Company, the Pittsburgh Plate Glass Company or the W. P. Fuller Company. If the above glass companies do not have a local representative you should order your glass requirements through your Car Distributor.  The glass manufacturers have been furnished with all pertinent information, therefore, when placing orders for glass always furnish the correct part number and the type of car for which the glass is required.  The above applies to glass only and not assemblies which may include a frame or a channel. Such parts must be ordered from your Car Distributor or the Kaiser-Frazer Sales Corporation, Willow Run, Michigan.			1	3	4	5	7	0
30-5-7 30-6-3	Glass, Front Door . . . . . Glass, Front Door . . . . . Glass, Rear Door . . . . . Glass, Front Door Ventilator . . . . . Glass, Rear Door Ventilator . . . . . Glass, Quarter Panel Window . . . . . Glass, Quarter Panel Window (Stationary) . . . . . Glass, Quarter Panel Window, Rear . . . . .	208102 208103 208104 208107 208108 208105 212831 208466	511, 512 511, 512 511, 512 211, 512 511, 512 511, 512 511, 512 511, 512	2	2	2	2	2	2
30-5-10 30-6-52	30.202 - FRONT DOOR GLASS CHANNEL  Channel, Door Glass Run, Rear, Right . . . . . Channel, Door Glass Run, Rear, Left . . . . . Screw with L/W (Channel to Door) . . . . . Channel, Door Glass Lifter, Lower . . . . . Weatherstrip, Lower Channel (17.62" Long) . . . . . Channel, Door Glass Lifter, Lower . . . . . Weatherstrip, Lower Channel (23.14" Long) . . . . .	208109 208110 205252 208111 208112 208113 212806	511, 512 511, 512 511, 512 511, 512 511, 512 511, 512 511, 512	1	1	1	1	1	1
30-5-13 30-5-12 30-6-51 30-6-53	Channel, Door Glass Run, Rear, Right . . . . . Channel, Door Glass Run, Rear, Left . . . . . Screw with L/W (Channel to Door) . . . . . Channel, Door Glass Lifter, Lower . . . . . Weatherstrip, Lower Channel (17.62" Long) . . . . . Channel, Door Glass Lifter, Lower . . . . . Weatherstrip, Lower Channel (23.14" Long) . . . . .	208109 208110 205252 208111 208112 208113 212806	511, 512 511, 512 511, 512 511, 512 511, 512 511, 512 511, 512	4	4	4	4	4	4
30-5-8	30.204 - FRONT WINDOW GLASS RUN, RETAINERS AND WEATHERSTRIP  Run, Door Window Glass . . . . .	208116	511, 512	2	2	2	2	2	2



# 30.200 BODY DOOR WINDOWS, VENTILATORS, REGULATORS and CONTROLS

FIGURE NUMBER	GROUP, PART NAME and DESCRIPTION	PART NUMBER	MODELS	BODY STYLES								
				4-DR. SED.	BUS. CRL.	2-DR. SED.	4-DR. UTIL.	CLUB CRL.	2-DR. UTIL.			
20-204 -	FRONT WINDOW GLASS RUN, RETAINERS AND WEATHERSTRIP (Cont'd)											
30-5-28	Clip, Glass Run	206061	511, 512	2	2	2	2	2	2	2	2	2
30-6-36	Weatherseal, Door Glass, Upper (19" Long)	208117	511, 512	2	2	2	2	2	2	2	2	2
	Weatherseal, Door Glass, Upper (24.63" Long)	208118	511, 512	2	2	2	2	2	2	2	2	2
30-206 -	FRONT DOOR VENTILATOR, FRAME AND GLASS											
30-5-1	Ventilator Complete, Right (Black)	208119	511	1	1	1	1	1	1	1	1	1
	Ventilator Complete, Left (Black)	208120	511	1	1	1	1	1	1	1	1	1
30-5-2	Ventilator Complete, Right (Chrome)	208121	511, 512	1	1	1	1	1	1	1	1	1
30-6-8	Ventilator Complete, Left (Chrome)	208122	511, 512	1	1	1	1	1	1	1	1	1
	Frame and Glass, Right (Black)	208123	511	1	1	1	1	1	1	1	1	1
	Frame and Glass, Left (Black)	208124	511	1	1	1	1	1	1	1	1	1
30-5-51	Frame and Glass, Right (Chrome)	208125	511, 512	1	1	1	1	1	1	1	1	1
30-6-16	Frame and Glass, Left (Chrome)	208126	511, 512	1	1	1	1	1	1	1	1	1
	Filler, Ventilator Window Glass (Medium) (27 1/4")	208622	511, 512	2	2	2	2	2	2	2	2	2
30-5-1	Weatherstrip, Ventilator Frame, Right	208127	511, 512	1	1	1	1	1	1	1	1	1
30-6-10	Weatherstrip, Ventilator Frame, Left	208128	511, 512	1	1	1	1	1	1	1	1	1
30-5-3	Bar, Ventilator Division, Right (Stainless Steel)	208131	511, 512	1	1	1	1	1	1	1	1	1
30-6-7	Bar, Ventilator Division, Left (Stainless Steel)	208132	511, 512	1	1	1	1	1	1	1	1	1
	Screw (Bar to Door)	213067	511, 512	6	6	6	6	6	6	6	6	6
	Bolt, 1/4"-20 x 3/8" Rd. Hd. Cr. Rec.	474	511, 512	2	2	2	2	2	2	2	2	2
	Lockwasher, 1/4" Ext. Tooth	370	511, 512	2	2	2	2	2	2	2	2	2
	Flatwasher, 1/4" Med.	243	511, 512	2	2	2	2	2	2	2	2	2
	Retainer, Division Bar and Weatherstrip, Right (Black)	208133	511	1	1	1	1	1	1	1	1	1
	Retainer, Division Bar and Weatherstrip, Left (Black)	208134	511	1	1	1	1	1	1	1	1	1
30-5-54	Retainer, Division Bar and Weatherstrip, Right (Chrome)	208135	511, 512	1	1	1	1	1	1	1	1	1
30-6-9	Retainer, Division Bar and Weatherstrip, Left (Chrome)	208136	511, 512	1	1	1	1	1	1	1	1	1
30-5-50	Weatherstrip, Division Bar, Right	208137	511, 512	1	1	1	1	1	1	1	1	1
30-6-13	Weatherstrip, Division Bar, Left	208138	511, 512	1	1	1	1	1	1	1	1	1
	Rivet, Division Bar Weatherstrip	208139	511, 512	6	6	6	6	6	6	6	6	6
30-5-4	Run, Division Bar	208140	511, 512	2	2	2	2	2	2	2	2	2
	Rivet, Division Bar Glass Run	208141	511, 512	4	4	4	4	4	4	4	4	4
30-5-52	Bracket, Upper Pivot, Right (Chrome)	208144	511, 512	1	1	1	1	1	1	1	1	1
30-6-15	Bracket, Upper Pivot, Left (Chrome)	208145	511, 512	1	1	1	1	1	1	1	1	1
	Rivet, 9/64" x 13/64" (to Frame)	203006	511, 512	4	4	4	4	4	4	4	4	4

FIGURE NUMBER	GROUP, PART NAME and DESCRIPTION	PART NUMBER	MODELS	BODY STYLES					
				4-DR. SED.	BUS. CPE.	2-DR. SED.	4-DR. UTIL.	CLUB CPE.	2-DR. UTIL.
	30.206 - FRONT DOOR VENTILATOR, FRAME AND GLASS (Cont'd)			1	3	4	5	7	0
30-5-53	Pivot, Ventilator, Upper, Right	208147	511, 512	1	1	1	1	1	1
30-6-14	Pivot, Ventilator, Upper, Left	208148	511, 512	1	1	1	1	1	1
	Screw, No. 7-16 x 3/8" Pan Hd. Cr. Rec. Tap. (to Retainer)	861	511, 512	4	4	4	4	4	4
30-5-41	Pivot, Lower, Right	208149	511, 512	1	1	1	1	1	1
30-6-25	Pivot, Lower, Left	208150	511, 512	1	1	1	1	1	1
	Rivet (Pivot to Frame)	203016	511, 512	4	4	4	4	4	4
30-5-39	Washer, Lower Pivot	208152	511, 512	2	2	2	2	2	2
30-5-40	Stop, Lower Pivot	200755	511, 512	4	4	4	4	4	4
30-5-37	Flatwasher, Lower Pivot	208154	511, 512	2	2	2	2	2	2
30-5-38	Spring, Lower Pivot	208155	511, 512	2	2	2	2	2	2
30-5-36	Nut, Lower Pivot	208619	511, 512	2	2	2	2	2	2
	Handle Complete, Right (Chrome)	208158	511, 512	1	1	1	1	1	1
	Handle Complete, Left (Chrome)	208159	511, 512	1	1	1	1	1	1
	Rivet, 9/64" x 13/64" (Bracket to Frame)	203006	511, 512	6	6	6	6	6	6
30-5-35	Handle, Ventilator Lock, Right	208160	511, 512	1	1	1	1	1	1
30-6-20	Handle, Ventilator Lock, Left	208161	511, 512	1	1	1	1	1	1
	Striker, Ventilator Lock Handle	208162	511, 512	2	2	2	2	2	2
30-6-19	Pin, Ventilator Handle	200761	511, 512	2	2	2	2	2	2
30-5-43	Key, Ventilator Handle	200762	511, 512	2	2	2	2	2	2
30-5-34	Button, Ventilator Handle	204722	511, 512	2	2	2	2	2	2
30-5-42	Spring, Ventilator Handle	200764	511, 512	2	2	2	2	2	2
30-5-44	Springwasher, Ventilator Handle	200765	511, 512	2	2	2	2	2	2
	30.208 - FRONT DOOR WINDOW REGULATOR								
30-5-14	Regulator, Door, Right	208163	511, 512	1	1	1	1	1	1
	Regulator, Door, Left	208164	511, 512	1	1	1	1	1	1
	Regulator, Door, Right	208165	511, 512	1	1	1	1	1	1
30-6-49	Regulator, Door, Left	208166	511, 512	1	1	1	1	1	1
	Screw, No. 12-24 x 7/16" Rd. Hd. Cr. Rec.	684	511, 512	*	*	*	*	*	*
	Lockwasher, No. 12 Ext. Tooth	741	511, 512	*	*	*	*	*	*
	Clip, Regulator to Channel	206655	511, 512	4	4	4	4	4	4
30-5-15	Handle, Regulator	208167	511, 512	2	2	2	2	2	2
	Escutcheon, Regulator Handle	207833	511, 512	2	2	2	2	2	2
	Spring, Escutcheon	209515	511, 512	2	2	2	2	2	2
	Pin, Regulator Handle	202313	511, 512	2	2	2	2	2	2

\* As Required

**30.200 BODY DOOR WINDOWS, VENTILATORS, REGULATORS and CONTROLS**

FIGURE NUMBER	GROUP, PART NAME and DESCRIPTION	PART NUMBER	MODELS	BODY STYLES						
				4-DR. SED.	BUS. CPE.	2-DR. SED.	4-DR. UTIL.	CLUB CPE.	2-DR. UTIL.	0
	<b>30.210 - REAR DOOR AND QUARTER PANEL WINDOW GLASS CHANNEL</b>									
	Channel, Door Glass Run, Front, Right	208168	511, 512							
	Channel, Door Glass Run, Front, Left	208169	511, 512							
	Channel, Door Glass Lifter, Lower, Right	208170	511, 512	1						
	Channel, Door Glass Lifter, Lower, Left	208171	511, 512	1						
	Weatherstrip, Channel (25" Long)	208172	511, 512	2						
	Channel, Quarter Panel Glass Lifter, Lower	208173	511, 512		2					2
	Channel, Quarter Panel Glass Lifter, Lower	208174	511, 512		2					2
	Weatherstrip, Channel (20.13" Long)	208175	511, 512							
	Weatherstrip, Channel (24.30" Long)	208176	511, 512							
	Channel, Quarter Panel Glass Run, Front, Right	208177	511, 512		2					
	Channel, Quarter Panel Glass Run, Front, Left	208178	511, 512	1		1				1
	Channel, Quarter Panel Glass Run, Rear, Right	208179	511, 512	1		1				1
	Channel, Quarter Panel Glass Run, Rear, Left	208180	511, 512	1		1				1
	Screw, No. 12-24 x 1/2" Rd. Hd. Cr. Rec.	503	511, 512	4						4
	Lockwasher, No. 12 Ext. Tooth	741	511, 512	4						4
	<b>30.212 - REAR DOOR AND QUARTER PANEL WINDOW GLASS RUN AND WEATHERSTRIP</b>									
	Run, Door Window Glass	208116	511, 512							
	Run, Quarter Panel Window Glass	208116	511, 512	2		2				2
	Run, Quarter Panel Window Glass, Rear	208182	511, 512		2					2
	Screw, No. 12-24 x 1/2" Rd. Hd. Cr. Rec.	503	511, 512							
	Lockwasher, No. 12 Ext. Tooth	741	511, 512							
	Clip, Glass Run	206061	511, 512		2					
	Weatherseal, Door Glass, Upper (26.75" Long)	208183	511, 512							
	Weatherseal, Quarter Panel Glass, Upper (22.63" Long)	208184	511, 512				2			2
	Weatherseal, Quarter Panel Glass, Upper (28 1/4" Long)	208185	511, 512							
	Weatherseal, Quarter Panel Glass, Right	212832	511, 512							
	Weatherseal, Quarter Panel Glass, Left	212833	511, 512							
	<b>30.216 - REAR DOOR VENTILATOR, FRAME AND GLASS</b>									
	Ventilator Complete, Right (Black)	208186	511	1					1	
	Ventilator Complete, Left (Black)	208187	511	1					1	
	Ventilator Complete, Right (Chrome)	208188	511, 512	1					1	



FIGURE NUMBER	GROUP, PART NAME and DESCRIPTION	PART NUMBER	MODELS	BODY STYLES						
				4-DR. SED.	BUS. CRE.	2-DR. SED.	4-DR. UTIL.	CLUB CRE.	2-DR. UTIL.	
	30.216 - REAR DOOR VENTILATOR, FRAME AND GLASS (Cont'd)									
	Ventilator Complete, Left (Chrome) . . . . .	208189	511, 512							
	Frame and Glass, Right (Black) . . . . .	208190	511							
	Frame and Glass, Left (Black) . . . . .	208191	511							
	Frame and Glass, Right (Chrome) . . . . .	208192	511, 512							
	Frame and Glass, Left (Chrome) . . . . .	208193	511, 512							
	Filler, Ventilator Window Glass (Medium) (20.13") . . . . .	208623	511, 512							
	Weatherstrip, Ventilator Frame, Right . . . . .	208194	511, 512							
	Weatherstrip, Ventilator Frame, Left . . . . .	208195	511, 512							
	Weatherstrip, Quarter Panel Window Glass, Rear, Right . . . . .	208464	511, 512							
	Weatherstrip, Quarter Panel Window Glass, Rear, Left . . . . .	208465	511, 512							
	Bar, Ventilator Division, Right (Stainless Steel) . . . . .	208198	511, 512							
	Bar, Ventilator Division, Left (Stainless Steel) . . . . .	208199	511, 512							
	Bar, Quarter Panel Window Glass Division, Rear, Right (Stainless Steel) . . . . .	208632	511, 512							
	Bar, Quarter Panel Window Glass Division, Rear, Left (Stainless Steel) . . . . .	208633	511, 512							
	Screw (to Door) . . . . .	213067	511, 512							
	Bolt, 1/4"-20 x 3/8" Rd. Hd. Cr. Rec. . . . .	474	511, 512							
	Lockwasher, 1/4" Ext. Tooth . . . . .	370	511, 512							
	Flatwasher, 1/4" Med. . . . .	243	511, 512							
	Bracket, Quarter Panel Window Division Bar, Right . . . . .	209644	511, 512							
	Bracket, Quarter Panel Window Division Bar, Left . . . . .	209643	511, 512							
	Screw, No. 10-12 x 3/8" Rd. Hd. Cr. Rec. Tap. (to Door) . . . . .	609	511, 512							
	Screw (to Roof Panel) . . . . .	213067	511, 512							
	Retainer, Division Bar and Weatherstrip, Right (Black) . . . . .	208200	511							
	Retainer, Division Bar and Weatherstrip, Left (Black) . . . . .	208201	511							
	Retainer, Division Bar and Weatherstrip, Right (Stainless Steel) . . . . .	208202	511, 512							
	Retainer, Division Bar and Weatherstrip, Left (Stainless Steel) . . . . .	208203	511, 512							
	Weatherstrip, Division Bar, Right . . . . .	208204	511, 512							
	Weatherstrip, Division Bar, Left . . . . .	208205	511, 512							
	Rivet, Division Bar Weatherstrip . . . . .	208139	511, 512							
	Run, Division Bar Glass . . . . .	208206	511, 512							
	Pivot, Ventilator, Upper . . . . .	208141	511, 512							
	Retainer, Ventilator Upper Pivot . . . . .	208207	511, 512							
	Pin, Upper Pivot . . . . .	208208	511, 512							
	Washer, Upper Pivot . . . . .	208209	511, 512							
	Pivot, Lower . . . . .	208210	511, 512							
	Rivet, Lower Pivot . . . . .	208211	511, 512							
	Rivet, Lower Pivot . . . . .	203016	511, 512							

# 30.200 BODY DOOR WINDOWS, VENTILATORS, REGULATORS and CONTROLS

FIGURE NUMBER	GROUP, PART NAME and DESCRIPTION	PART NUMBER	MODELS	BODY STYLES					
				4-DR. SED.	BUS. CPE.	2-DR. SED.	4-DR. UTIL.	CLUB CPE.	2-DR. UTIL.
	30.216 - REAR DOOR VENTILATOR, FRAME AND GLASS (Cont'd)			1	3	4	5	7	0
	Washer, Lower Pivot . . . . .	208152	511, 512	2			2		
	Stop, Lower Pivot . . . . .	200775	511, 512	4			4		
	Flatwasher, Lower Pivot . . . . .	208154	511, 512	2			2		
	Spring, Lower Pivot . . . . .	208155	511, 512	2			2		
	Nut, Lower Pivot . . . . .	208619	511, 512	2			2		
	Handle Complete, Right . . . . .	208460	511, 512	1			1		
	Handle Complete, Left . . . . .	208461	511, 512	1			1		
	Handle, Right . . . . .	204719	511, 512	1			1		
	Handle, Left . . . . .	204720	511, 512	1			1		
	Striker, Ventilator Lock Handle . . . . .	208212	511, 512	2			2		
	Rivet (to Retainer) . . . . .	208213	511, 512	4			4		
	Pin, Ventilator Handle . . . . .	200761	511, 512	2			2		
	Key, Ventilator Handle . . . . .	200762	511, 512	2			2		
	Button, Ventilator Handle . . . . .	204722	511, 512	2			2		
	Spring, Ventilator Handle . . . . .	200764	511, 512	2			2		
	Springwasher . . . . .	200765	511, 512	2			2		
	Shaft, Ventilator Handle . . . . .	208462	511, 512	2			2		
	30.218 - REAR DOOR AND QUARTER PANEL WINDOW REGULATOR			1			1		
	Regulator, Door, Right . . . . .	208214	511, 512	1			1		
	Regulator, Door, Left . . . . .	208215	511, 512	1			1		
	Regulator, Quarter Panel Window, Right . . . . .	208214	511, 512			1			1
	Regulator, Quarter Panel Window, Left . . . . .	208215	511, 512			1			1
	Regulator, Quarter Panel Window, Right . . . . .	208352	511, 512		1				
	Regulator, Quarter Panel Window, Left . . . . .	208351	511, 512		1				
	Screw, No. 12-24 x 7/16" Rd. Hd. Cr. Rec. . . . .	684	511, 512	*	*	*	*	*	*
	Lockwasher, No. 12 Ext. Tooth. . . . .	741	511, 512	*	*	*	*	*	*
	Clip, Regulator to Channel . . . . .	206655	511, 512	4	4	4	4	4	4
	Spring, Regulator Pinion Lock . . . . .	208350	511, 512	2	2	2	2	2	2
	Handle, Regulator . . . . .	208167	511, 512	2	2	2	2	2	2
	Escutcheon . . . . .	207833	511, 512	2	2	2	2	2	2
	Spring, Escutcheon . . . . .	209515	511, 512	2	2	2	2	2	2
	Pin, Handle . . . . .	202313	511, 512	2	2	2	2	2	2

\* As Required

FIGURE NUMBER	GROUP, PART NAME and DESCRIPTION	PART NUMBER	MODELS	BODY STYLES					
				4-DR. SED.	8US. CRE.	2-DR. SED.	4-DR. UTIL.	CLUB CRE.	2-DR. UTIL.
	30.301 - WINDSHIELD GLASS			1	3	4	5	7	0
	HOW TO ORDER GLASS								
	<p>Only curved glass is carried in stock. When replacement of glass not stocked is necessary, requirements should be procured from the stores or warehouses of Libbey-Owens-Ford Glass Company, the Pittsburgh Plate Glass Company or the W. P. Fuller Company. If the above glass companies do not have a local representative you should order your glass requirements through your Car Distributor.</p> <p>The glass manufacturers have been furnished with all pertinent information, therefore, when placing orders for glass always furnish the correct part number and the type of car for which the glass is required.</p> <p>The above applies to glass only and not assemblies which may include a frame or a channel. Such parts must be ordered from your Car Distributor or the Kaiser-Frazer Sales Corporation, Willow Run, Michigan.</p>								
30-8-2	Glass, Right	208353	511, 512	1	1	1	1	1	1
30-8-9	Glass, Left	208354	511, 512	1	1	1	1	1	1
	30.302 - WINDSHIELD WEATHERSTRIP								
	Weatherstrip (Division Bar Holes spaced 8 1/4") (used without Reveal Moulding)	208355	511	1	1	1	1	1	1
	Weatherstrip (Division Bar Holes spaced 7 1/2") (used without Reveal Moulding)	209629	511	1	1	1	1	1	1
	Weatherstrip (Division Bar Holes spaced 8 1/4") (used with Reveal Moulding)	208356	512	1	1	1	1	1	1
30-8-3	Weatherstrip (with 4 Division Bar Attaching Holes) (used with Reveal Moulding)	212381	511, 512	1	1	1	1	1	1
	30.304 - WINDSHIELD GARNISH MOULDING								
	Moulding, Upper, Right (Prime)	208357	511, 512	1	1	1	1	1	1
	Moulding, Upper, Left (Prime)	208358	511, 512	1	1	1	1	1	1
30-8-4	Moulding, Upper, Right (Chrome)	208359	512	1	1	1	1	1	1
30-8-7	Moulding, Upper, Left (Chrome)	208360	512	1	1	1	1	1	1
	Moulding, Lower (Prime)	208361	511, 512	1	1	1	1	1	1
30-8-8	Moulding, Lower (Chrome)	208362	512	1	1	1	1	1	1



FIGURE NUMBER	GROUP, PART NAME and DESCRIPTION	PART NUMBER	MODELS	BODY STYLES								
				4-DR. SED.	BUS. CPE.	2-DR. SED.	4-DR. UTIL.	CLUB CPE.	2-DR. UTIL.			
	30.304 - WINDSHIELD GARNISH MOULDING (Cont'd)											
	Spacer, Moulding . . . . .	208363	511, 512	7	7	7	7	7	7	7	7	0
	Screw, No. 8-15 x 1" Ov. Hd. Cr. Rec. (Chrome) . . . . .	793	511, 512	*	*	*	*	*	*	*	*	
	Screw, No. 8-15 x 2" Ov. Hd. Cr. Rec. (Chrome) . . . . .	871	511, 512	*	*	*	*	*	*	*	*	
	Filler, Moulding, Right (Rubber) . . . . .	212344	511, 512	1	1	1	1	1	1	1	1	1
	Filler, Moulding, Left (Rubber) . . . . .	212345	511, 512	1	1	1	1	1	1	1	1	1
	30.306 - WINDSHIELD DIVISION BAR - INNER											
	Bar, Division (Prime) (Mounting Holes spaced 8 1/4") . . . . .	208364	511	1	1	1	1	1	1	1	1	1
	Bar, Division (Prime) (Mounting Holes spaced 7 1/2") . . . . .	209631	511	1	1	1	1	1	1	1	1	1
	Bar, Division (Prime) (with 4 Mounting Holes) . . . . .	212382	511, 512	1	1	1	1	1	1	1	1	1
	Bar, Division (Chrome) (Mounting Holes spaced 8 1/4") . . . . .	208365	512	1	1	1	1	1	1	1	1	1
	Bar, Division (Chrome) (Mounting Holes spaced 7 1/2") . . . . .	209632	512	1	1	1	1	1	1	1	1	1
	Bar, Division (Chrome) (with 4 Mounting Holes) . . . . .	212383	512	1	1	1	1	1	1	1	1	1
30-8-5	Screw, No. 8-32 x 7/8" Ov. Hd. Cr. Rec. (Chrome) . . . . .	872	511, 512	*	*	*	*	*	*	*	*	*
30-8-6	Retainer, Division Bar (Tee Nuts spaced 8 1/4") . . . . .	208366	511, 512	1	1	1	1	1	1	1	1	1
	Retainer, Division Bar (Tee Nuts spaced 7 1/2") . . . . .	209711	511, 512	1	1	1	1	1	1	1	1	1
30-8-13	Retainer, Division Bar (with 4 Tee Nuts) . . . . .	212384	511, 512	1	1	1	1	1	1	1	1	1

\* As Required

# WINDSHIELD WIPER and CONTROLS

30.350

FIGURE NUMBER	GROUP, PART NAME and DESCRIPTION	PART NUMBER	MODELS	BODY STYLES						
				4-DR. SED.	8US. CPE.	2-DR. SED.	4-DR. UTIL.	CLUB CPE.	2-DR. UTIL.	
	<b>30.352 - WINDSHIELD WIPER MOTOR</b>									
30-9-15	Motor (Vacuum) (used with Intake Tube) . . . . .	212324	511, 512	1	1	1	1	1	1	1
	Screw, No. 10-12 x 7/8" Rd. Hd. Cr. Rec. Tap. . . . .	868	511, 512	2	2	2	2	2	2	2
	Nut ("U" Type) . . . . .	206274	511, 512	2	2	2	2	2	2	2
	Bracket, Motor Mounting (Vacuum) . . . . .	212534	511	1	1	1	1	1	1	1
	Screw, No. 10-12 x 7/8" Rd. Hd. Cr. . . . .									
	Rec. Tap. . . . .	868	511	2	2	2	2	2	2	2
	Nut ("U" Type) . . . . .	206274	511	2	2	2	2	2	2	2
	Bolt, 1/4"-20 x 1/2" Rd. Hd. Cr. . . . .									
	Rec. . . . .	731	511	2	2	2	2	2	2	2
	Lockwasher, 1/4" Ext. Tooth . . . . .	370	511	2	2	2	2	2	2	2
	Motor and Bracket (Electric) . . . . .	208092	512	1	1	1	1	1	1	1
30-10-7	Bracket, Motor Mounting (Electric) . . . . .	208096	512	1	1	1	1	1	1	1
	Screw . . . . .	208093	512	4	4	4	4	4	4	4
	Washer . . . . .	208094	512	3	3	3	3	3	3	3
	Grommet . . . . .	209595	512	4	4	4	4	4	4	4
	Bolt, 1/4"-20 x 1/2" Rd. Hd. Cr. Rec. . . . .	731	512	2	2	2	2	2	2	2
	Lockwasher, 1/4" Ext. Tooth . . . . .	370	512	2	2	2	2	2	2	2
	<b>30.354 - WINDSHIELD WIPER CONTROLS</b>									
30-9-5	Control (incl. Cable) (Vacuum) . . . . .	208097	511, 512	1	1	1	1	1	1	1
30-10-9	Switch (Electric) . . . . .	208098	512	1	1	1	1	1	1	1
30-9-4	Spacer (Mounting) . . . . .	207785	511, 512	1	1	1	1	1	1	1
30-9-2	Nut (Mounting) . . . . .	207783	511, 512	1	1	1	1	1	1	1
30-9-1	Knob . . . . .	207786	511, 512	1	1	1	1	1	1	1
30-9-3	Bezel . . . . .	208326	511, 512	1	1	1	1	1	1	1
	<b>30.358 - WINDSHIELD WIPER ARM DRIVE BODY (PIVOT)</b>									
30-9-14	Pivot (incl. Connector Arm) Right (Vacuum) . . . . .	208327	511, 512	1	1	1	1	1	1	1
30-9-6	Pivot (incl. Connector Arm) Left (Vacuum) . . . . .	208239	511, 512	1	1	1	1	1	1	1
	Grommet, Connector Arm . . . . .	212499	511, 512	2	2	2	2	2	2	2
30-9-12	Pad, Pivot (Vacuum) . . . . .	208328	511, 512	2	2	2	2	2	2	2
30-9-11	Clamp, Mounting (Vacuum) . . . . .	208329	511, 512	2	2	2	2	2	2	2
30-9-10	Bolt with L/W . . . . .	208330	511, 512	2	2	2	2	2	2	2
30-9-16	Retainer, Wiper Link . . . . .	208331	511, 512	1	1	1	1	1	1	1
30-10-1	Pivot, Wiper Arm, Right (Electric) . . . . .	209599	512	1	1	1	1	1	1	1

FIGURE NUMBER	GROUP, PART NAME and DESCRIPTION	PART NUMBER	MODELS	BODY STYLES					
				4-DR. SED.	BUS. CPE.	2-DR. SED.	4-DR. UTIL.	CLUB CPE.	2-DR. UTIL.
	30.358 - WINDSHIELD WIPER ARM DRIVE BODY (PIVOT) (Cont'd)			1	3	4	5	7	0
30-10-10	Pivot, Wiper Arm, Left (Electric)	208332	512	1	1	1	1	1	1
30-10-2	Gasket, Pivot (Electric)	212122	512	2	2	2	2	2	2
30-10-6	Retainer, Pivot (Electric)	208334	512	2	2	2	2	2	2
	Screw, No. 10-32 x 1/2" Hx. Hd.	694	512	2	2	2	2	2	2
	Lockwasher, No. 10 Ext. Tooth	294	512	2	2	2	2	2	2
30-10-5	Link, Wiper (Electric)	208335	512	2	2	2	2	2	2
30-10-14	Washer, Link Mounting (Felt) (Electric)	208336	512	8	8	8	8	8	8
30-10-13	Washer, Link Mounting (Electric)	208337	512	4	4	4	4	4	4
30-10-12	Clip, Link Mounting (Electric)	208338	512	4	4	4	4	4	4
	30.360 - WINDSHIELD WIPER ARM AND BLADES								
30-10-4	Arm, Right	209600	511, 512	1	1	1	1	1	1
30-10-11	Arm, Left	208342	511, 512	1	1	1	1	1	1
30-10-3	Blade, Wiper	208341	511, 512	2	2	2	2	2	2
	30.364 - VACUUM PUMP TUBE								
	Tube, Pump to Wiper Motor Hose	208344	511, 512	1	1	1	1	1	1
	Connector, Pump to Wiper Tube	202125	511, 512	1	1	1	1	1	1
	Tube, Intake (5" Long)	212535	511, 512	1	1	1	1	1	1
	Tube, Pump to Wiper Hose	205694	511, 512	1	1	1	1	1	1
	Clip	205697	511, 512	1	1	1	1	1	1
	Lockwasher, 3/8" Ext. Tooth	291	511, 512	1	1	1	1	1	1
	Nut, 3/8"-16 Hx.	204	511, 512	1	1	1	1	1	1
	30.366 - WINDSHIELD WIPER SWITCH FEED CABLE								
30-10-8	Cable	208246	512	1	1	1	1	1	1



# INSTRUMENT BOARD (PANEL)

30.400

FIGURE NUMBER	GROUP, PART NAME and DESCRIPTION	PART NUMBER	MODELS	BODY STYLES						
				4-DR. SED.	BUS. CPE.	2-DR. SED.	4-DR. UTL.	CLUB CPE.	2-DR. UTL.	
30-1-38	30.402 - INSTRUMENT BOARD									
19-1-9	Board, Upper (Prime) . . . . .	207551	511, 512	1	1	1	1	1	1	1
19-1-23	Board, Lower, Right (Prime) . . . . .	207552	511	1	1	1	1	1	1	1
	Board, Lower, Left (Prime) . . . . .	207553	511	1	1	1	1	1	1	1
	Board, Lower, Right (Chrome) . . . . .	207554	512	1	1	1	1	1	1	1
	Board, Lower, Left (Chrome) . . . . .	207555	512	1	1	1	1	1	1	1
	Screw, No. 10-12 x 3/4" Pan Hd. Cr. Rec. . . . .	602	511, 512	6	6	6	6	6	6	6
	Speednut . . . . .	207093	511, 512	6	6	6	6	6	6	6
	Bolt, 5/16"-18 x 3/4" Hx. Hd. . . . .	183	511, 512	2	2	2	2	2	2	2
	Lockwasher, 5/16" Ext. Tooth . . . . .	348	511, 512	2	2	2	2	2	2	2
	Anti-Squeak, Lower Panel, Right . . . . .	209586	511, 512	1	1	1	1	1	1	1
	Anti-Squeak, Lower Panel, Left . . . . .	209587	511, 512	1	1	1	1	1	1	1
	Support, Instrument Board to Dash Radio, Right . . . . .	207556	511, 512	1	1	1	1	1	1	1
	Support, Instrument Board to Dash Radio, Left . . . . .	207557	511, 512	1	1	1	1	1	1	1
	Bolt, 1/4"-20 x 1/2" Hx. Hd. . . . .	179	511, 512	6	6	6	6	6	6	6
	Lockwasher, 1/4" Ext. Tooth . . . . .	370	511, 512	6	6	6	6	6	6	6
19-1-10	30.404 - INSTRUMENT BOARD GLOVE COMPARTMENT									
	Box, Glove (Prime) . . . . .	207558	511, 512	1	1	1	1	1	1	1
	Screw with L/W (to Support) . . . . .	207567	511, 512	2	2	2	2	2	2	2
	Panel, Glove Box, Front (Prime) . . . . .	207559	511	1	1	1	1	1	1	1
	Panel, Glove Box, Front (Chrome) . . . . .	207560	512	1	1	1	1	1	1	1
	Rivet, 1/8" x 1/4" . . . . .	207561	511, 512	9	9	9	9	9	9	9
	Support, Glove Box (Prime) . . . . .	207562	511, 512	1	1	1	1	1	1	1
	Screw, No. 10-32 x 1/2" Rd. Hd. . . . .									
	Cr. Rec. . . . .	654	511, 512	5	5	5	5	5	5	5
	Lockwasher, No. 10 Ext. Tooth . . . . .	294	511, 512	5	5	5	5	5	5	5
	Screw, No. 10 Washer Hd. . . . .	205680	511, 512	5	5	5	5	5	5	5
	Speednut (to Support) . . . . .	207093	511, 512	1	1	1	1	1	1	1
	Speednut (to Support) . . . . .	213080	511, 512	2	2	2	2	2	2	2
	"J" Nut (to Cowl) . . . . .	205663	511, 512	1	1	1	1	1	1	1
	"J" Nut (to Hood Hinge Reinf.) . . . . .	205663	511, 512	1	1	1	1	1	1	1
19-1-12	Medallion, Glove Box Panel . . . . .	207564	511, 512	1	1	1	1	1	1	1
	Speednut . . . . .	202592	512	2	2	2	2	2	2	2
	Bumper, Glove Box Door (Rubber) . . . . .	207563	511, 512	2	2	2	2	2	2	2
	Plate, Door Lock Striker . . . . .	205180	511, 512	1	1	1	1	1	1	1

FIGURE NUMBER	GROUP, PART NAME and DESCRIPTION	PART NUMBER	MODELS	BODY STYLES					
				4-DR. SED.	BUS. CPE.	2-DR. SED.	4-DR. UTIL.	CLUB CPE.	2-DR. UTIL.
	<b>30.404 - INSTRUMENT BOARD GLOVE COMPARTMENT (Cont'd)</b>			1	3	4	5	7	0
19-1-11	Screw, No. 8-32 x 3/8" Rd. Hd. Cr. Rec. ....	599	511, 512	2	2	2	2	2	2
	Lockwasher, No. 8 Ext. Tooth. ....	447	511, 512	2	2	2	2	2	2
	Nut, No. 8-32 Hx. ....	272	511, 512	2	2	2	2	2	2
	Latch, Glove Box Door .....	207351	511	1	1	1	1	1	1
	Lock, Glove Box Door (incl. Cylinder and Keys).....	207349	512	1	1	1	1	1	1
	Lock Cylinder and Key Kit (incl. Cylinders and Keys for Glove Box Door and Deck Lid) .....	207350	512	1	1	1	1	1	1
	Key, Cut, Code No. K.F. 501 to 750 .....	203887	512	*	*	*	*	*	*
	Key, Blank, for Code No. K.F. 501 to 750 .....	203882	512	*	*	*	*	*	*
	Spacer, Glove Box Door Lock .....	213006	511, 512	1	1	1	1	1	1
	Clip, Lock Attaching .....	205490	511, 512	1	1	1	1	1	1
		<b>30.406 - INSTRUMENT BOARD ASH RECEIVER</b>							
19-1-16	Ash Receiver Complete (Chrome) .....	207565	511, 512	1	1	1	1	1	1
	Screw, No. 6-32 x 1/4" Pan Hd. Cr. Rec. ....	920	511, 512	2	2	2	2	2	2
	Lockwasher, No. 6 Ext. Tooth .....	518	511, 512	2	2	2	2	2	2
	Nut, No. 6-32 Hx. ....	718	511, 512	2	2	2	2	2	2
	Knob, Ash Receiver (Chrome) .....	207566	511, 512	1	1	1	1	1	1
	Screw, No. 10-24 x 3/8" Rd. Hd. Cr. Rec. ....	365	511, 512	1	1	1	1	1	1
Lockwasher, No. 10 Ext. Tooth .....	294	511, 512	1	1	1	1	1	1	
	<b>30.410 - INSTRUMENT BOARD RADIO CONTROL PANEL AND GRILLE</b>								
19-1-6	Cover, Radio Control (Chrome) .....	207568	511, 512	1	1	1	1	1	1
	Spring, Radio Control Cover .....	207569	511, 512	2	2	2	2	2	2
	Speednut .....	200639	511, 512	2	2	2	2	2	2
	Cover, Radio Control (Threaded Studs) (Chrome) .....	212342	511, 512	1	1	1	1	1	1
	Lockwasher, No. 10 Ext. Tooth .....	294	511, 512	2	2	2	2	2	2
	Wing Nut, No. 10-24 .....	944	511, 512	2	2	2	2	2	2
	Screw, No. 6-18 x 1/2" Ov. Hd. Cr. Rec. Tap. ....	509	511, 512	2	2	2	2	2	2
	Channel, Radio Control Cover Retaining .....	212343	511, 512	1	1	1	1	1	1
	Grille, Radio (Chrome) .....	207358	511, 512	1	1	1	1	1	1
	Lockwasher, No. 10 Ext. Tooth .....	294	511, 512	4	4	4	4	4	4
	Nut, No. 10-24 Hx. ....	378	511, 512	4	4	4	4	4	4

\* As Required

# INSTRUMENT BOARD (PANEL)

30.400

FIGURE NUMBER	GROUP, PART NAME and DESCRIPTION	PART NUMBER	MODELS	BODY STYLES								
				4-DR. SED.	8US. CR.	2-DR. SED.	4-DR. VTL.	CLUB CR.	2-DR. VTL.			
	<b>30.412 - INSTRUMENT BOARD MOULDING</b>											
19-1-3	Housing, Instrument Cluster (Prime) . . . . .	207570	511, 512	1	1	1	1	1	1	1	1	1
	Screw, No. 10-32 x 1/2" Rd. Hd. Cr. Rec. . . . .	473	511, 512	3	3	3	3	3	3	3	3	3
	Lockwasher, No. 10 Int. Tooth . . . . .	259	511, 512	3	3	3	3	3	3	3	3	3
	Nut, No. 10-32 Hx. . . . .	202	511, 512	3	3	3	3	3	3	3	3	3
	Bezel, Instrument Cluster (Prime) . . . . .	207571	511, 512	1	1	1	1	1	1	1	1	1
	Screw, No. 8-32 x 3/8" Ov. Hd. Cr. Rec. . . . .	854	511, 512	4	4	4	4	4	4	4	4	4
	Moulding, Lower, Right . . . . .	207572	511, 512	1	1	1	1	1	1	1	1	1
	Moulding, Lower, Left . . . . .	207573	511, 512	1	1	1	1	1	1	1	1	1
	Clip . . . . .	207574	511, 512	10	10	10	10	10	10	10	10	10
	Panel, Hand Brake Lever Cover (Prime) . . . . .	207575	511	1	1	1	1	1	1	1	1	1
	Panel, Hand Brake Lever Cover (Chrome) . . . . .	207576	512	1	1	1	1	1	1	1	1	1
	Bolt, 5/16"-24 x 5/8" Hx. Hd. . . . .	274	511, 512	2	2	2	2	2	2	2	2	2
	Lockwasher, 5/16" Med. . . . .	240	511, 512	2	2	2	2	2	2	2	2	2
Nut, 5/16"-24 Hx. Lt. Thick. . . . .	388	511, 512	2	2	2	2	2	2	2	2	2	
Bezel, Hand Brake Lever Cover Panel (Chrome) . . . . .	212547	511, 512	1	1	1	1	1	1	1	1	1	
Anti-Squeak, Brake Lever Cover . . . . .	209585	511, 512	1	1	1	1	1	1	1	1	1	
Panel, Heater Control (Chrome) . . . . .	207577	511, 512	1	1	1	1	1	1	1	1	1	
Bolt, 1/4"-20 x 1/2" Hx. Hd. . . . .	179	511, 512	1	1	1	1	1	1	1	1	1	
Lockwasher, 1/4" Ext. Tooth . . . . .	370	511, 512	1	1	1	1	1	1	1	1	1	
Screw, No. 10-32 x 3/8" Rd. Hd. Cr. Rec. . . . .	577	511, 512	1	1	1	1	1	1	1	1	1	
Lockwasher, No. 10 Int. Tooth . . . . .	259	511, 512	1	1	1	1	1	1	1	1	1	
Nut, No. 10-32 Hx. . . . .	202	511, 512	1	1	1	1	1	1	1	1	1	
Anti-Squeak, Heater Control Panel, Right . . . . .	209588	511, 512	1	1	1	1	1	1	1	1	1	
Anti-Squeak, Heater Control Panel, Left . . . . .	209589	511, 512	1	1	1	1	1	1	1	1	1	
Brace, Heater Control Panel, Right . . . . .	209592	511, 512	1	1	1	1	1	1	1	1	1	
Brace, Heater Control Panel, Left . . . . .	209593	511, 512	1	1	1	1	1	1	1	1	1	
Screw with L/W . . . . .	209591	511, 512	4	4	4	4	4	4	4	4	4	
Nut, No. 10-24 Hx. . . . .	378	511, 512	4	4	4	4	4	4	4	4	4	
Plug, Defroster Control (Chrome) . . . . .	207578	511, 512	1	1	1	1	1	1	1	1	1	
Plug, Temperature Control (Chrome) . . . . .	207578	511, 512	1	1	1	1	1	1	1	1	1	
Plug, Blower Switch (Chrome) . . . . .	207579	511, 512	1	1	1	1	1	1	1	1	1	
Cover, Clock Opening (Prime) . . . . .	207579	511, 512	1	1	1	1	1	1	1	1	1	
Cover, Clock Opening (Chrome) . . . . .	207580	511	1	1	1	1	1	1	1	1	1	
Screw, No. 10-32 x 3/8" Rd. Hd. Cr. Rec. . . . .	577	511, 512	3	3	3	3	3	3	3	3	3	
Lockwasher, No. 10 Int. Tooth . . . . .	259	511, 512	3	3	3	3	3	3	3	3	3	
Nut, No. 10-32 Hx. . . . .	202	511, 512	3	3	3	3	3	3	3	3	3	



FIGURE NUMBER	GROUP, PART NAME and DESCRIPTION	PART NUMBER	MODELS	BODY STYLES					
				4-DR. SED.	BUS. CPE.	2-DR. SED.	4-DR. UTIL.	CLUB CPE.	2-DR. UTIL.
30.501	REAR WINDOW GLASS			1	3	4	5	7	0
	<p><b>HOW TO ORDER GLASS</b></p> <p>Only curved glass is carried in stock. When replacement of glass not stocked is necessary, requirements should be procured from the stores or warehouses of Libbey-Owens-Ford Glass Company, the Pittsburgh Plate Glass Company or the W. P. Fuller Company. If the above glass companies do not have a local representative you should order your glass requirements through your Car Distributor.</p> <p>The glass manufacturers have been furnished with all pertinent information, therefore, when placing orders for glass always furnish the correct part number and the type of car for which the glass is required.</p> <p>The above applies to glass only and not assemblies which may include a frame or a channel. Such parts must be ordered from your Car Distributor or the Kaiser-Frazer Sales Corporation, Willow Run, Michigan.</p>			1	1	1	1	1	1
	<p><b>30.502 - REAR WINDOW GLASS WEATHERSTRIP</b></p> <p>Glass . . . . .</p> <p>Glass . . . . .</p>	208399 207445	511, 512 511, 512	1	1	1	1	1	1
	<p><b>30.503 - REAR WINDOW GARNISH MOULDING</b></p> <p>Moulding, Right (Prime) . . . . .</p> <p>Moulding, Left (Prime) . . . . .</p> <p>Clip, Moulding (Prime) . . . . .</p> <p>Screw, No. 8-15 x 1" Ov. Hd. Cr. Rec. Tap. (Chrome) . . . . .</p>	208400 208401 207521 793	511 511, 512 511, 512	1	1	1	1	1	1
	<p><b>30.505 - REAR SHELF PANEL</b></p> <p>Panel (Prime) . . . . .</p> <p>Panel (Prime) . . . . .</p> <p>Screw, No. 10 Washer Hd. . . . .</p> <p>Seal . . . . .</p>	208405 207530 205680 208616	511, 512 511, 512 511, 512 511, 512	1	1	1	1	1	1

\* As Required

# SEAT FRAME and CONTROLS

30.550

FIGURE NUMBER	GROUP, PART NAME and DESCRIPTION	PART NUMBER	MODELS	BODY STYLES									
				4-DR. SED.	8US. CPE.	2-DR. SED.	4-DR. UTL.	CLUB CPE.	2-DR. UTL.				
	<b>30.552 - FRONT SEAT FRAME</b>												
	NOTE: See Group 30.616. Seat Cushion Complete includes Lower Seat Frame Seat Back Cushion Complete includes Upper Seat Frame												
	<b>30.554 - FRONT SEAT ADJUSTER GUIDES</b>												
30-11-1	Adjuster, Front Seat, Right . . . . .	208406	511, 512	1	1	1	1	1	1	1	1	1	1
30-11-5	Adjuster, Front Seat, Left . . . . .	208407	511, 512	1	1	1	1	1	1	1	1	1	1
30-11-2	Bolt, 5/16"-18 x 3/4" Tr. Hd. Cr. Rec. . . . . Lockwasher, 5/16" Med. . . . . Nut . . . . .	693 240 212744	511, 512 511, 512 511, 512	4	4	4	4	4	4	4	4	4	4
30-11-6	Bolt, 5/16"-24 x 7/8" Hx. Hd. . . . . Lockwasher, 5/16" Ext. Tooth . . . . .	270 348	511, 512 511, 512	4	4	4	4	4	4	4	4	4	4
30-11-7	Knob, Operating Handle . . . . .	202305	511, 512	1	1	1	1	1	1	1	1	1	1
30-11-3	Rod, Connecting . . . . .	208408	511, 512	1	1	1	1	1	1	1	1	1	1
30-11-4	Spring, Adjuster Latch . . . . .	208409	511, 512	2	2	2	2	2	2	2	2	2	2
30-11-8	Equalizer, Seat Adjuster . . . . .	212850	511, 512	1	1	1	1	1	1	1	1	1	1
	<b>30.556 - REAR SEAT BOARD</b>												
30-12-9	Panel (Prime) . . . . .	212124	511, 512										
30-12-3	Hinge, Rear Seat Cushion, Upper . . . . .	212125	511, 512										
30-12-2	Bolt, Shoulder . . . . .	212126	511, 512										
30-12-4	Lockwasher, 1/4" Med. . . . .	190	511, 512										
30-12-5	Nut, 1/4"-20 Hx. . . . .	203	511, 512										
30-12-1	Hinge, Rear Seat Cushion, Lower (Prime) . . . . .	212127	511, 512										
30-12-6	Bolt, 1/4"-20 x 1/2" Hx. Hd. . . . . Lockwasher, 1/4" Ext. Tooth . . . . . Nut, 1/4"-20 Hx. . . . .	179 370 203	511, 512 511, 512 511, 512										
	<b>30.560 - REAR SEAT FRAME</b>												
30-12-12	Panel (Prime) . . . . .	213066	511, 512										
30-12-12	Panel (Prime) . . . . .	212128	511, 512										
	Hinge, Seat Back Filler . . . . .	212129	511, 512										
30-12-13	Plate, Rear Back Outer Panel (Prime) . . . . .	212130	511, 512										

FIGURE NUMBER	GROUP, PART NAME and DESCRIPTION	PART NUMBER	MODELS	BODY STRES					
				4-DR. SED.	BUS. CPE.	2-DR. SED.	4-DR. UTIL.	CLUB CPE.	2-DR. UTIL.
30-12-14	30.560 - REAR SEAT FRAME (Cont'd)			1	3	4	5	7	0
	Screw, No. 10 Washer Head . . . . .	205680	511, 512				4		4
	Speednut . . . . .	207093	511, 512				4		4
	Catch, Ball Stud . . . . .	212822	511, 512				2		2
	Screw, No. 8-15 x 3/8" Rd. Hd. Cr. Rec. Tap. . . . .	576	511, 512				4		4
30-12-17	Support, Rear Seat Back (Prime) . . . . .	212131	511, 512				2		2
30-12-18	Screw, No. 10-24 x 3/8" Rd. Hd. Cr. Rec. . . . .	365	511, 512				4		4
30-12-19	Lockwasher, No. 10 Ext. Tooth . . . . .	294	511, 512				4		4
30-12-20	Nut, No. 10-24 Hx. . . . .	378	511, 512				4		4
	Retainer, Rear Seat Back Bumper . . . . .	212132	511, 512				2		2
30-12-16	Bumper, Rear Seat Back . . . . .	212133	511, 512				2		2
30-12-15	Stud, Ball . . . . .	212134	511, 512				2		2
	Screw (Ball Stud to Support) . . . . .	212135	511, 512				2		2
30-12-8	Plate, Seat Back Hinge Pivot (Prime) . . . . .	212136	511, 512				2		2
	Bolt, 1/4"-20 x 3/4" Tr. Hd. Sl. . . . .	843	511, 512				6		6
	Lockwasher, 1/4" Med. . . . .	190	511, 512				6		6
	Nut, 1/4"-20 Hx. . . . .	203	511, 512				6		6
30-12-7	Pivot, Seat Back Outer Hinge, Right (Prime) . . . . .	212137	511, 512				1		1
30-12-21	Pivot, Seat Back Outer Hinge, Left (Prime) . . . . .	212138	511, 512				1		1
30-12-22	Bolt, 1/4"-20 x 5/8" Hx. Hd. . . . .	257	511, 512				4		4
	Lockwasher, 1/4" Ext. Tooth . . . . .	370	511, 512				4		4
	Nut, 1/4"-20 Hx. . . . .	203	511, 512				4		4
30-12-23	Bolt, Pin . . . . .	212139	511, 512				2		2
30-12-24	Lockwasher, 3/8" Med. . . . .	192	511, 512				2		2
	Spring, Seat Back Filler Panel . . . . .	212140	511, 512				2		2
	Bracket, Seat Back Filler Panel Spring . . . . .	209875	511, 512				2		2
	Screw, No. 10-12 x 3/8" Rd. Hd. Cr. Rec. Tap. . . . .	609	511, 512				4		4
	30.562 - PACKAGE COMPARTMENT LOWER PANEL								
	Panel . . . . .	212795	511, 512		1				
	Screw, No. 14-10 x 1 1/4" Rd. Hd. Cr. Rec. Tap. . . . .	921	511, 512		*				
	Flatwasher, 1/4" Lg. . . . .	384	511, 512		*				
	Bumper, Lower Panel to Floor . . . . .	207135	511, 512		2				
	Support, Lower Panel . . . . .	212796	511, 512		1				
	Plate, Lower Panel Support . . . . .	212797	511, 512		2				
	Screw, No. 10-12 x 3/8" Rd. Hd. Cr. Rec. Tap. (to Floor) . . . . .	609	511, 512		*				

\* As Required



# SEAT FRAME and CONTROLS

30.550

FIGURE NUMBER	GROUP, PART NAME and DESCRIPTION	PART NUMBER	MODELS	BODY STYLES								
				4-DR. SED.	BUS. CPE.	2-DR. SED.	4-DR. UTIL.	CLUB CPE.	2-DR. UTIL.			
	30.562 - PACKAGE COMPARTMENT LOWER PANEL (Cont'd)											
	Bracket, Package Compartment Panel, Right . . . . .	212798	511, 512									
	Bracket, Package Compartment Panel, Left . . . . .	212799	511, 512	1								
	Screw, No. 10-12 x 3/8" Rd. Hd. Cr. Rec. Tap. (to Floor) . . . . .	609	511, 512	1								
	30.564 - PACKAGE COMPARTMENT REAR PANEL											
	Panel . . . . .	212800	511, 512	1								
	Screw, No. 10 Washer Head (Panel to Bracket) . . . . .	205680	511, 512	*								
	Screw, No. 10 Washer Head (Panel to Shelf Panel) . . . . .	205680	511, 512	*								

\* As Required

FIGURE NUMBER	GROUP, PART NAME and DESCRIPTION	PART NUMBER	MODELS	BODY STYLES					
				4-DR. SED.	8US. CPE.	2-DR. SED.	4-DR. UTIL.	CLUB CPE.	2-DR. UTIL.
	30.600 - INTERIOR TRIM			1	3	4	5	7	0
	ORDERING TRIM MATERIAL								
	When ordering Trim material be sure to furnish the car serial number, trim code and sample or samples of the trim. Trim material is available in yardage or complete Trim Assemblies.								
	In many cases it is more practical to replace a pleat or section of a seat cushion or back. When ordering material for a repair job of this kind, furnish length, width, also which dimension the stripe or weave should run.								
	Material will be furnished the entire width of the bolt and not less than one-third lineal yard in length.								
	Example: One piece material 12" x 17" to be cut with stripe or nap running the 12" way. Should the material weave run the 12" way or length of bolt, you will receive a piece of material 12" long. Its width will be determined by the width of the bolt.								
	30.602 - COWL TRIM PANELS								
30-14-10	Panel (Black) (Embossed Cardboard) {Right... Left...}	210616	511, 512	1	1	1	1	1	1
	Panel (Explorer Gray) (Embossed Cardboard) {Right... Left...}	210617	511, 512	1	1	1	1	1	1
	Panel (Hickory Brown) (Embossed Cardboard) {Right... Left...}	210859	511, 512	1	1	1	1	1	1
	Panel (Temple Gray) (Embossed Cardboard) {Right... Left...}	210860	511, 512	1	1	1	1	1	1
	Panel (Caribbean Coral) (Embossed Cardboard) {Right... Left...}	210861	511, 512	1	1	1	1	1	1
	Panel (Blue Satin) (Embossed Cardboard) {Right... Left...}	210862	511, 512	1	1	1	1	1	1
	Panel (Cape Verde Green) (Embossed Cardboard) {Right... Left...}	210800	512	1	1	1	1	1	1
	Panel (Oakwood Brown) (Embossed Cardboard) {Right... Left...}	210801	512	1	1	1	1	1	1
	Panel (Garden Green) (Embossed Cardboard) {Right... Left...}	210802	512	1	1	1	1	1	1
	Panel (Carpet) {Right... Left...}	210803	512	1	1	1	1	1	1
	Screw with L/W... Screw, Washer Head...	210804	512	1	1	1	1	1	1
		210805	512	1	1	1	1	1	1
		210806	512	1	1	1	1	1	1
		210807	512	1	1	1	1	1	1
		210808	512	1	1	1	1	1	1
		210809	512	1	1	1	1	1	1
		210810	512	1	1	1	1	1	1
		210811	512	1	1	1	1	1	1
		210818	512	1	1	1	1	1	1
		210819	512	1	1	1	1	1	1
		203872	511, 512	1	1	1	1	1	1
		206644	511, 512	1	1	1	1	1	1

\* As Required

# INTERIOR TRIM

30.600

FIGURE NUMBER	GROUP, PART NAME and DESCRIPTION	PART NUMBER	MODELS	BODY STYLES						
				4-DR. SED.	BUS. CRL.	2-DR. SED.	4-DR. UTL.	CLUB CRL.	2-DR. UTL.	
30-14-13	<b>30.604 - FRONT DOOR TRIM PANELS</b>									
	Panel - incl. Fasteners (Cloth) { Right . . . . . } Left . . . . .	210620	511	1						
	Panel - incl. Fasteners (Vinylite) { Right . . . . . } Left . . . . .	210621	511	1						
	Panel - incl. Fasteners (Dragon or Reptile Vinylite) { Right . . . . . } Left . . . . .	210704	511	1				1		
	Panel - incl. Fasteners (Cloth) { Right . . . . . } Left . . . . .	210705	511	1				1		
	Panel - incl. Fasteners (Vinylite) { Right . . . . . } Left . . . . .	210935	511	1				1		
	Panel - incl. Fasteners (Cloth) { Right . . . . . } Left . . . . .	210936	511	1				1		
	Panel - incl. Fasteners (Vinylite) { Right . . . . . } Left . . . . .	210622	511	1	1					
	Panel - incl. Fasteners (Vinylite) { Right . . . . . } Left . . . . .	210623	511	1	1					
	Panel - incl. Fasteners (Dragon or Reptile Vinylite) { Right . . . . . } Left . . . . .	210833	511	1	1					
	Panel - incl. Fasteners (Vinylite) { Right . . . . . } Left . . . . .	210834	511	1	1					
	Panel - incl. Mldg. and Fasteners (Cloth with Carpet Kick Pad) { Right . . . . . } Left . . . . .	210937	511	1	1					
	Panel - incl. Mldg. and Fasteners (Vinylite with Carpet Kick Pad) { Right . . . . . } Left . . . . .	210938	511	1	1					
	Panel - incl. Mldg. and Fasteners (Vinylite with Carpet Kick Pad) { Right . . . . . } Left . . . . .	210624	512	1	1					
	Panel - incl. Mldg. and Fasteners (Vinylite with Carpet Kick Pad) { Right . . . . . } Left . . . . .	210625	512	1	1					
	Panel - incl. Mldg. and Fasteners (Vinylite with Carpet Kick Pad) { Right . . . . . } Left . . . . .	210812	512	1	1					
	Panel - incl. Mldg. and Fasteners (Vinylite with Carpet Kick Pad) { Right . . . . . } Left . . . . .	210813	512	1	1					
	Panel - incl. Mldg. and Fasteners (Vinylite with Carpet Kick Pad) { Right . . . . . } Left . . . . .	210706	512	1	1					
Panel - incl. Mldg. and Fasteners (Vinylite with Carpet Kick Pad) { Right . . . . . } Left . . . . .	210707	512	1	1						
Panel - incl. Mldg. and Fasteners (Vinylite with Carpet Kick Pad) { Right . . . . . } Left . . . . .	210814	512	1	1			1			
Panel - incl. Mldg. and Fasteners (Vinylite with Carpet Kick Pad) { Right . . . . . } Left . . . . .	210815	512	1	1			1			
Panel - incl. Mldg. and Fasteners (Dragon Vinylite - Pleated - with Carpet Kick Pad) { Right . . . . . } Left . . . . .	210865	512	1	1						
Panel - incl. Mldg. and Fasteners (Dragon Vinylite - Pleated - with Carpet Kick Pad) { Right . . . . . } Left . . . . .	210866	512	1	1						
Panel - incl. Mldg. and Fasteners (Dragon Vinylite - Pleated - with Dragon Vinylite Kick Pad) { Right . . . . . } Left . . . . .	210878	512	1	1			1			
Panel - incl. Mldg. and Fasteners (Vinylite with Carpet Kick Pad used with Leather Trim) { Right . . . . . } Left . . . . .	210879	512	1	1			1			
Panel - incl. Mldg. and Fasteners (Dragon Vinylite - Plain - with Dragon Vinylite Kick Pad) { Right . . . . . } Left . . . . .	210882	512	1	1						
Panel - incl. Mldg. and Fasteners (Dragon Vinylite - Pleated - with Reptile Vinylite - Pleated - with Carpet Kick Pad) { Right . . . . . } Left . . . . .	211053	512	1	1						
Panel - incl. Mldg. and Fasteners (Dragon Vinylite - Pleated - with Reptile Vinylite - Pleated - with Carpet Kick Pad) { Right . . . . . } Left . . . . .	211054	512	1	1						
Panel - incl. Mldg. and Fasteners (Reptile Vinylite - Pleated - with Carpet Kick Pad) { Right . . . . . } Left . . . . .	211077	512	1	1						
Panel - incl. Mldg. and Fasteners (Reptile Vinylite - Pleated - with Reptile Vinylite Kick Pad) { Right . . . . . } Left . . . . .	211078	512	1	1						
Panel - incl. Mldg. and Fasteners (Reptile Vinylite - Pleated - with Reptile Vinylite Kick Pad) { Right . . . . . } Left . . . . .	211079	512	1	1						
Panel - incl. Mldg. and Fasteners (Richmond with Vinylite Kick Pad) { Right . . . . . } Left . . . . .	211080	512	1	1						
Panel - incl. Mldg. and Fasteners (Kick Pad) { Right . . . . . } Left . . . . .	210626	512	1	1						
Panel - incl. Mldg. and Fasteners (Volta with Vinylite Kick Pad) { Right . . . . . } Left . . . . .	210835	512	1	1						
Panel - incl. Mldg. and Fasteners (Kick Pad) { Right . . . . . } Left . . . . .	210836	512	1	1						



FIGURE NUMBER	GROUP, PART NAME and DESCRIPTION	PART NUMBER	MODELS	BODY STYLES								
				4-DR. SED.	BUS. CPE.	2-DR. SED.	4-DR. UTIL.	CLUB CPE.	2-DR. UTIL.			
	30.604 - FRONT DOOR TRIM PANELS (Cont'd)											
	Panel - incl. Mldg. and Fasteners { Vinylite with Vinylite } Right . . . . .	210837	512	1	1	1	1	1	1	1	1	1
	Panel - incl. Mldg. and Fasteners { Kick Pad } Left . . . . .	210838	512	1	1	1	1	1	1	1	1	1
	Panel - incl. Mldg. and Fasteners { Dragon Vinylite - Pleated - with } Right . . . . .	210939	512	1	1	1	1	1	1	1	1	1
	Panel - incl. Mldg. and Fasteners { Dragon Vinylite Kick Pad } Left . . . . .	210940	512	1	1	1	1	1	1	1	1	1
	Panel - incl. Mldg. and Fasteners { Dragon Vinylite - Plain - with } Right . . . . .	211051	512	1	1	1	1	1	1	1	1	1
	Panel - incl. Mldg. and Fasteners { Dragon Vinylite Kick Pad } Left . . . . .	211052	512	1	1	1	1	1	1	1	1	1
	Panel - incl. Mldg. and Fasteners { Reptile Vinylite - Pleated - with } Right . . . . .	211075	512	1	1	1	1	1	1	1	1	1
	Panel - incl. Mldg. and Fasteners { Reptile Vinylite Kick Pad } Left . . . . .	211076	512	1	1	1	1	1	1	1	1	1
	Fastener . . . . .	202301	511, 512	*	*	*	*	*	*	*	*	*
	Moulding, Trim Panel . . . . .	207471	512	2	2	2	2	2	2	2	2	2
	Moulding, Trim Panel . . . . .	207472	512	2	2	2	2	2	2	2	2	2
30-14-9	Weathercord, Door Opening (Cloth) . . . . .	210836	511, 512	2	2	2	2	2	2	2	2	2
30-14-2	Weathercord, Door Opening (Vinylite) . . . . .	210713	511, 512	2	2	2	2	2	2	2	2	2
	Weathercord, Door Opening (Dragon or Reptile Vinylite) . . . . .	211017	511, 512	2	2	2	2	2	2	2	2	2
	30.605 - DOOR LOCK PILLAR TRIM PANEL											
	Panel, Upper, Right (Cloth) (used with Courtesy Light) . . . . .	210678	511, 512	1	1	1	1	1	1	1	1	1
	Panel, Upper, Right (Cloth) (used less Courtesy Light) . . . . .	211068	511	1	1	1	1	1	1	1	1	1
	Panel, Upper, Left (Cloth) . . . . .	210679	511, 512	1	1	1	1	1	1	1	1	1
	Panel, Upper, Right (Vinylite) (used with Courtesy Light) . . . . .	210830	511, 512	1	1	1	1	1	1	1	1	1
	Panel, Upper, Right (Vinylite) (used less Courtesy Light) . . . . .	211069	511	1	1	1	1	1	1	1	1	1
	Panel, Upper, Left (Vinylite) . . . . .	210831	511, 512	1	1	1	1	1	1	1	1	1
	Panel, Upper, Right (Dragon or Reptile Vinylite) (used with Courtesy Light)	210941	511, 512	1	1	1	1	1	1	1	1	1
	Panel, Upper, Right (Dragon or Reptile Vinylite) (used less Courtesy Light)	211070	511	1	1	1	1	1	1	1	1	1
	Panel, Upper, Left (Dragon or Reptile Vinylite) . . . . .	210942	511, 512	1	1	1	1	1	1	1	1	1
	30.606 - CENTER PILLAR TRIM PANEL											
	Panel, Right (Cloth) (used with Courtesy Light) . . . . .	210631	511, 512	1	1	1	1	1	1	1	1	1
	Panel, Right (Cloth) (used less Courtesy Light) . . . . .	211071	511	1	1	1	1	1	1	1	1	1
	Panel, Left (Cloth) . . . . .	210883	511, 512	1	1	1	1	1	1	1	1	1
	Panel, Right (Vinylite) (used with Courtesy Light) . . . . .	210714	511, 512	1	1	1	1	1	1	1	1	1
	Panel, Right (Vinylite) (used less Courtesy Light) . . . . .	211072	511	1	1	1	1	1	1	1	1	1
	Panel, Left (Vinylite) . . . . .	210715	511, 512	1	1	1	1	1	1	1	1	1
	Panel, Right (Dragon or Reptile Vinylite) (used with Courtesy Light) . . . . .	210943	511, 512	1	1	1	1	1	1	1	1	1
30-14-15												

\* As Required

FIGURE NUMBER	GROUP, PART NAME and DESCRIPTION	PART NUMBER	MODELS	BODY STRIPS						
				4-DR. SED.	BUS. CPE.	2-DR. SED.	4-DR. VTL.	CLUB CPE.	2-DR. VTL.	
	30.606 - CENTER PILLAR TRIM PANEL (Cont'd)									
	Panel, Right (Dragon or Reptile Vinylite) (used less Courtesy Light) . . . . .	211073	511				1			
	Panel, Left (Dragon or Reptile Vinylite) . . . . .	210944	511, 512				1			
	Fastener . . . . .	202301	511, 512				5			
	30.608 - REAR DOOR TRIM PANEL									
30-14-19	Panel - incl. Fasteners (Cloth) { Right . . . . . Left . . . . .	210632	511				1			
	Panel - incl. Fasteners (Vinylite) { Right . . . . . Left . . . . .	210633	511				1			
	Panel - incl. Fasteners { Dragon or Reptile Vinylite } Right . . . . . Left . . . . .	210708	511				1			
	Panel - incl. Mldg. and Fasteners { Cloth with Vinylite } Right . . . . . Left . . . . .	210709	511				1			
	Panel - incl. Mldg. and Fasteners { Kick Pad } Right . . . . . Left . . . . .	210945	511				1			
	Panel - incl. Mldg. and Fasteners { Cloth with Vinylite } Right . . . . . Left . . . . .	210946	511				1			
	Panel - incl. Mldg. and Fasteners { Kick Pad } Right . . . . . Left . . . . .	210816	512				1			
	Panel - incl. Mldg. and Fasteners { Cloth with Vinylite } Right . . . . . Left . . . . .	210817	512				1			
	Panel - incl. Mldg. and Fasteners { Carpet Kick Pad } Right . . . . . Left . . . . .	210634	512				1			
	Panel - incl. Mldg. and Fasteners { Vinylite with Carpet Kick Pad } Right . . . . . Left . . . . .	210635	512				1			
	Panel - incl. Mldg. and Fasteners { Vinylite with Vinylite Kick Pad } Right . . . . . Left . . . . .	210710	512				1			
	Panel - incl. Mldg. and Fasteners { Vinylite with Vinylite Kick Pad } Right . . . . . Left . . . . .	210711	512				1			
	Panel - incl. Mldg. and Fasteners { Dragon Vinylite - Pleated - with } Right. Carpet Kick Pad } Left . . . . .	210818	512				1			
	Panel - incl. Mldg. and Fasteners { Dragon Vinylite with Dragon } Right . . . . . Vinylite Kick Pad } Left . . . . .	210819	512				1			
Panel - incl. Mldg. and Fasteners { Dragon Vinylite with Dragon } Right . . . . . Vinylite Kick Pad } Left . . . . .	210867	512				1				
Panel - incl. Mldg. and Fasteners { Vinylite with Carpet Kick Pad - } Right . . . . . used with Leather Trim } Left . . . . .	210868	512				1				
Panel - incl. Mldg. and Fasteners { Dragon Vinylite - Plain - with } Right . . . . . Dragon Vinylite Kick Pad } Left . . . . .	210880	512				1				
Panel - incl. Mldg. and Fasteners { Reptile Vinylite - Pleated - with } Right . . . . . Carpet Kick Pad } Left . . . . .	210881	512				1				
Panel - incl. Mldg. and Fasteners { Reptile Vinylite - Pleated - with } Right . . . . . Carpet Kick Pad } Left . . . . .	210884	512				1				
Panel - incl. Mldg. and Fasteners { Reptile Vinylite - Pleated - with } Right . . . . . Carpet Kick Pad } Left . . . . .	210885	512				1				
Panel - incl. Mldg. and Fasteners { Reptile Vinylite - Pleated - with } Right . . . . . Carpet Kick Pad } Left . . . . .	211055	512				1				
Panel - incl. Mldg. and Fasteners { Reptile Vinylite - Pleated - with } Right . . . . . Carpet Kick Pad } Left . . . . .	211056	512				1				
Panel - incl. Mldg. and Fasteners { Reptile Vinylite - Pleated - with } Right . . . . . Carpet Kick Pad } Left . . . . .	211081	512				1				
Panel - incl. Mldg. and Fasteners { Reptile Vinylite - Pleated - with } Right . . . . . Carpet Kick Pad } Left . . . . .	211082	512				1				
Panel - incl. Mldg. and Fasteners { Reptile Vinylite - Pleated - with } Right . . . . . Carpet Kick Pad } Left . . . . .	211083	512				1				
Panel - incl. Mldg. and Fasteners { Reptile Vinylite - Pleated - with } Right . . . . . Carpet Kick Pad } Left . . . . .	211084	512				1				
Fastener . . . . .	202301	511, 512				*				
Moulding, Trim Panel . . . . .	207474	512				2				
Weathercord, Door Opening (Cloth) . . . . .	210636	511, 512				2				
Weathercord, Door Opening (Vinylite) . . . . .	210713	511, 512				2				
Weathercord, Door Opening (Dragon or Reptile Vinylite) . . . . .	211017	511, 512				2				

\* As Required

FIGURE NUMBER	GROUP, PART NAME and DESCRIPTION	PART NUMBER	MODELS	BODY STYLES								
				4-DR. SED.	BUS. CPE.	2-DR. SED.	4-DR. UTIL.	CLUB CPE.	2-DR. UTIL.			
	30.6085 - REAR DECK OPENING WEATHERCORD											
	Weathercord (Vinylite) . . . . .	210918	511, 512									1
	Weathercord (Reptile Vinylite) . . . . .	211099	511, 512									1
	30.610 - REAR QUARTER TRIM PANEL											
	Panel (Burtex) { Right . . . . .	210841	511, 512									
	Left . . . . .	210842	511, 512									
	Panel (Cloth) { Right . . . . .	210637	511, 512									
	Left . . . . .	210638	511, 512									
	Panel (Vinylite) { Right . . . . .	210839	511, 512									
	Left . . . . .	210840	511, 512									
	Panel { Dragon or Reptile } Right . . . . .	210947	511, 512									
	Left . . . . .	210948	511, 512									
	Panel { Dragon Vinylite - } Right . . . . .	210949	512									
	Left . . . . .	210950	512									
	Panel (Vinylite) { Right . . . . .	210951	511, 512									
	Left . . . . .	210952	511, 512									
30-13-8	Panel (Reptile Vinylite) { Right . . . . .	211085	511, 512									
	Left . . . . .	211086	511, 512									
	Panel (Cloth) { Right . . . . .	210820	511, 512									
	Left . . . . .	210821	511, 512									
	Panel (Vinylite) { Right . . . . .	210901	511, 512									
	Left . . . . .	210902	511, 512									
	Panel { Dragon Vinylite - } Right . . . . .	211057	511, 512									
	Left . . . . .	211058	511, 512									
	Panel { Plain } Right . . . . .	211059	512									
	Left . . . . .	211060	512									
	Panel { Dragon Vinylite - } Right . . . . .	211087	512									
	Left . . . . .	211088	512									
	Panel { Reptile Vinylite - } Right . . . . .	210919	511, 512									
	Left . . . . .	210920	511, 512									
	Panel, Rear (Vinylite) { Right . . . . .	211089	511, 512									
	Left . . . . .	211090	511, 512									
	Panel, Rear (Reptile Vinylite) { Right . . . . .											
	Left . . . . .											
	30.6101 - REAR QUARTER ARM REST (LESS ASH RECEIVER)											

NOTE: See Group 30.807 for Ash Receiver.



FIGURE NUMBER	GROUP, PART NAME and DESCRIPTION	PART NUMBER	MODELS	BODY STYLES						
				4-DR. SED.	BUS. CPE.	2-DR. SED.	4-DR. UTIL.	CLUB CPE.	2-DR. UTIL.	
30.6101 - REAR QUARTER ARM REST (LESS ASH RECEIVER) (Cont'd)	Arm Rest, (Cloth) { Right . . . . .	210668	511, 512	1				1		
	Arm Rest, (Cloth) { Left . . . . .	210669	511, 512	1				1		
	Arm Rest, (Vinylite) { Right . . . . .	210843	511, 512	1				1		
	Arm Rest, (Vinylite) { Left . . . . .	210844	511, 512	1				1		
	Arm Rest, { Dragon or } Right . . . . .	210953	511, 512	1				1		
	Arm Rest, { Reptile Vinylite } Left . . . . .	210954	511, 512	1				1		
	Screw, No. 14-10 x 3/4" Rd. Hd. Cr. Rec. (to Inner Panel, Front) . . . . .	710	511, 512	1				1		
	Screw (to Inner Panel, Rear) . . . . .	207454	511, 512	2				2		
	Speednut . . . . .	207476	511, 512	4				4		
	30.6105 - DECK LID CABLE COVER									
	30.611 - REAR COMPARTMENT MATS AND WINDBREAKS									
	30-13-49	Cover (Vinylite) . . . . .	210921	511, 512			2			2
30-2-19	Mat, Floor . . . . .	207478	511, 512	1				1		
30-2-16	Mat, Tire Well Cover . . . . .	207479	511, 512	1				1		
	Windbreak, Rear Seat Back . . . . .	207480	511, 512	1				1		
	Windbreak, Rear Seat Back . . . . .	212862	511, 512					1		
	Fastener . . . . .	202452	511, 512	*				*		
	Fastener . . . . .	212863	511, 512	*				*		
	Screw with L/W . . . . .	203872	511, 512							
30.612 - HEADLINING, BOWS AND WINDSHIELD PILLAR COVERS										
30-14-21	Headlining (less Bows) (Cloth) . . . . .	210640	511, 512	1						
	Headlining (less Bows) (Vinylite) . . . . .	210729	511, 512	1						
	Headlining (less Bows) (Cloth) . . . . .	210799	511, 512		1			1		
	Headlining (less Bows) (Cloth) . . . . .	210641	511, 512							
	Headlining (less Bows) (Vinylite) . . . . .	210845	511, 512							
	Headlining (less Bows) (Vinylite) . . . . .	210955	511, 512				1			
	Headlining (less Bows) (Vinylite) . . . . .	210922	511, 512							
	Headlining (less Bows) (Vinylite) . . . . .	210896	511, 512							
	Bow, Roof Top, No. 1 . . . . .	207481	511, 512	1				1		
	Bow, Roof Top, No. 2 . . . . .	207482	511, 512	1				1		

\* As Required

FIGURE NUMBER	GROUP, PART NAME and DESCRIPTION	PART NUMBER	MODELS	BODY STYLES								
				4-DR. SED.	BUS. CPE.	2-DR. SED.	4-DR. UTIL.	CLUB CPE.	2-DR. UTIL.			
	<b>30.612 - HEADLINING, BOWS AND WINDSHIELD PILLAR COVERS (Cont'd)</b>											
	Bow, Roof Top, No. 3	213084	511, 512	1	1	1	1	1	1	1	0	
	Bow, Roof Top, No. 4	207483	511, 512	1	1	1	1	1	1	1	1	
	Bow, Roof Top, No. 4	207484	511, 512	1	1	1	1	1	1	1	1	
	Bow, Roof Top, No. 4	207485	511, 512	1	1	1	1	1	1	1	1	
	Bow, Roof Top, No. 5	207486	511, 512	1	1	1	1	1	1	1	1	
	Bow, Roof Top, No. 5	207487	511, 512	1	1	1	1	1	1	1	1	
	Bow, Roof Top, No. 5	207488	511, 512	1	1	1	1	1	1	1	1	
	Bow, Roof Top, No. 6	207489	511, 512	1	1	1	1	1	1	1	1	
	Bow, Roof Top, No. 6	207490	511, 512	1	1	1	1	1	1	1	1	
	Bow, Roof Top, No. 6	207491	511, 512	1	1	1	1	1	1	1	1	
	Bow, Roof Top, No. 7	207492	511, 512	1	1	1	1	1	1	1	1	
	Bow, Roof Top, No. 7	207493	511, 512	1	1	1	1	1	1	1	1	
	Grommet, Headlining Bow	205068	511, 512	*	*	*	*	*	*	*	*	
	Binding, Wire-On (Cloth)	210642	511, 512	2	2	2	2	2	2	2	2	
	Binding, Wire-On (Vinylite)	210717	511, 512	2	2	2	2	2	2	2	2	
	Binding, Wire-On (Dragon or Reptile Vinylite)	211100	511, 512	2	2	2	2	2	2	2	2	
	Binding, Wire-On (Cloth)	210643	511, 512	2	2	2	2	2	2	2	2	
	Binding, Wire-On (Vinylite)	210846	511, 512	2	2	2	2	2	2	2	2	
	Binding, Wire-On (Dragon or Reptile Vinylite)	211101	511, 512	2	2	2	2	2	2	2	2	
	Cover, Windshield Pillar (Cloth)	210645	511, 512	2	2	2	2	2	2	2	2	
	Cover, Windshield Pillar (Vinylite)	210718	511, 512	2	2	2	2	2	2	2	2	
	<b>30.6125 - REAR DECK WIRE-ON BINDING</b>											
	Binding, Wire-On (Vinylite)	210923	511, 512	1	1	1	1	1	1	1	1	
	Binding, Wire-On (Reptile Vinylite)	211102	511, 512	1	1	1	1	1	1	1	1	
	<b>30.614 - DOOR ARM RESTS</b>											
	<b>NOTE: Color denotes base - Cover by Trim Code.</b>											
	Arm Rest (Starlight Pearl) (Cloth)	210017	511, 512	4	2	2	2	2	2	2	2	
	Arm Rest (Starlight Pearl) (Vinylite)	210719	511, 512	4	2	2	2	2	2	2	2	
	Arm Rest (Starlight Pearl) (Leather)	210894	512	4	2	2	2	2	2	2	2	
	Arm Rest (Starlight Pearl) (Dragon or Reptile Vinylite)	210956	511, 512	4	2	2	2	2	2	2	2	
	Screw (Door Arm Rest to Inner Panel)	207454	511, 512	8	4	4	4	4	4	4	4	
	Nut (Front Door Arm Rest to Inner Panel)	212107	511, 512	4	4	4	4	4	4	4	4	
	Speednut (Rear Door Arm Rest to Inner Panel)	207476	511, 512	4	4	4	4	4	4	4	4	

\* As Required

FIGURE NUMBER	GROUP, PART NAME and DESCRIPTION	PART NUMBER	MODELS	BODY STYLES							
				4-DR. SED.	BUS. CPE.	2-DR. SED.	4-DR. UTIL.	CLUB CPE.	2-DR. UTIL.		
30-14-11	30.615 - INSTRUMENT BOARD (PANEL) COVER Cover ..... Cover (used with Dragon or Reptile Trim) ..... Screw, No. 6-18 x 3/8" Rd. Hd. Cr. Rec. ....	210832	512	1	1	1	1	1	1	0	
		210895	512	1	1	1	1	1	1	1	
		756	512	*	*	*	*	*	*	*	*
30-14-1	30.616 - FRONT SEAT CUSHIONS AND SEAT BACK Cushion Complete, Seat (Cloth Combination) ..... Cushion Complete, Seat (Cloth Plain) ..... Cushion Complete, Seat (Broadcloth) ..... Cushion Complete, Seat (Bedford or Richmond) ..... Cushion Complete, Seat (Vinylite) ..... Cushion Complete, Seat (Dragon or Reptile Vinylite) (Plain) ..... Cushion Complete, Seat (Corundle Cord or Pinstripe) ..... Cushion Complete, Seat (Richmond or Combination) ..... Cushion Complete, Seat (Vinylite) ..... Cushion Complete, Seat (Dragon or Reptile Vinylite) (Plain) ..... Cushion Complete, Seat (Cloth) ..... Cushion Complete, Seat (Dragon or Reptile Vinylite) (Pleated) ..... Cushion Complete, Seat (Leather) ..... Cushion Complete, Seat (Cloth) ..... Cushion Complete, Seat (Dragon or Reptile Vinylite) (Pleated) ..... Cover, Seat Cushion (Cloth Combination or Richmond) ..... Cover, Seat Cushion (Cloth Plain) ..... Cover, Seat Cushion (Broadcloth) ..... Cover, Seat Cushion (Vinylite) ..... Cover, Seat Cushion (Dragon or Reptile Vinylite) (Plain) ..... Cover, Seat Cushion (Cloth) ..... Cover, Seat Cushion (Dragon or Reptile Vinylite) (Pleated) ..... Cover, Seat Cushion (Leather) ..... Pad, Seat Cushion (Rubber) ..... Cushion Complete, Seat Back (Cloth Combination) ..... Cushion Complete, Seat Back (Cloth Plain) ..... Cushion Complete, Seat Back (Broadcloth or Richmond) ..... Cushion Complete, Seat Back (Richmond and Volta) ..... Cushion Complete, Seat Back (Vinylite) ..... Cushion Complete, Seat Back (Dragon or Reptile Vinylite) (Plain) .....	210648	511	1	1	1	1	1	1	1	1
		210691	511	1	1	1	1	1	1	1	1
		210733	511	1	1	1	1	1	1	1	1
		210648	511	1	1	1	1	1	1	1	1
		210720	511, 512	1	1	1	1	1	1	1	1
		210957	511, 512	1	1	1	1	1	1	1	1
		210734	511	1	1	1	1	1	1	1	1
		210649	511	1	1	1	1	1	1	1	1
		210851	511, 512	1	1	1	1	1	1	1	1
		210958	511, 512	1	1	1	1	1	1	1	1
		210650	512	1	1	1	1	1	1	1	1
		210869	512	1	1	1	1	1	1	1	1
		210890	512	1	1	1	1	1	1	1	1
		210822	512	1	1	1	1	1	1	1	1
		210959	512	1	1	1	1	1	1	1	1
210672	511	1	1	1	1	1	1	1	1		
210692	511	1	1	1	1	1	1	1	1		
210735	511	1	1	1	1	1	1	1	1		
210721	511, 512	1	1	1	1	1	1	1	1		
210960	511, 512	1	1	1	1	1	1	1	1		
210652	512	1	1	1	1	1	1	1	1		
210870	512	1	1	1	1	1	1	1	1		
210891	512	1	1	1	1	1	1	1	1		
207496	511, 512	1	1	1	1	1	1	1	1		
210673	511	1	1	1	1	1	1	1	1		
210693	511	1	1	1	1	1	1	1	1		
210673	511	1	1	1	1	1	1	1	1		
210929	511	1	1	1	1	1	1	1	1		
210722	511, 512	1	1	1	1	1	1	1	1		
210961	511, 512	1	1	1	1	1	1	1	1		

\* As Required



FIGURE NUMBER	GROUP, PART NAME and DESCRIPTION	PART NUMBER	MODELS	BODY STYLES						
				4-DR. SED.	BUS. CPE.	2-DR. SED.	4-DR. UTIL.	CUB. CPE.	2-DR. UTIL.	
	30.616 - FRONT SEAT CUSHIONS AND SEAT BACK (Cont'd)									
	Cushion Complete, Seat Back {Corundle Cord, Richmond, } Right	210745	511							
	{Combination or Pinstripe} Left	210746	511	1						
	Cushion Complete, Seat Back (Bedford) Right	210737	511	1						
	{Left} Left	210738	511	1						
	Cushion Complete, Seat Back (Richmond and Volta) Right	210930	511	1						
	{Left} Left	210931	511	1						
	Cushion Complete, Seat Back (Vinylite) Right	210852	511, 512	1						1
	{Left} Left	210853	511, 512	1						1
	Cushion Complete, Seat Back {Dragon or Reptile} Right	210962	511, 512	1						1
	{Vinylite (Plain)} Left	210963	511, 512	1						1
	Cushion Complete, Seat Back (Stockholm and Beaumont, Stockholm and Volta, Bedford, Stockholm and Richmond, All Richmond, Richmond and Volta)									
	Cushion Complete, Seat Back (Stockholm)	210684	512	1						
	Cushion Complete, Seat Back (Stockholm and Normandy)	210686	512	1						
	Cushion Complete, Seat Back (Dragon or Reptile Vinylite) (Pleated)	210688	512	1						
	Cushion Complete, Seat Back (Leather)	210871	512	1			1			
	Cushion Complete, Seat Back {Stockholm and Richmond, } Right	210892	512	1						
	{Stockholm and Volta} Left	210655	512	1						1
	Cushion Complete, Seat Back {All Richmond, Richmond } Right	210656	512	1						1
	{and Volta} Left	210747	512	1						1
	Cushion Complete, Seat Back {Dragon or Reptile } Right	210748	512	1						1
	{Vinylite Pleated} Left	210964	512	1						1
	Cover, Seat Back Cushion (Cloth Plain)	210965	512	1						1
	Cover, Seat Back Cushion (Broadcloth, Cloth Combination)	210694	511	1						1
	Cover, Seat Back Cushion (Richmond and Volta)	210674	511	1						1
	Cover, Seat Back Cushion (Vinylite)	210932	511	1						1
	Cover, Seat Back Cushion (Dragon or Reptile Vinylite) (Plain)	210723	511, 512	1			1			1
	Cover, Seat Back Cushion {Corundle Cord, Richmond, } Right	210966	511, 512	1						1
	{Combination or Pinstripe} Left	210797	511	1						1
	Cover, Seat Back Cushion (Bedford) Right	210798	511	1						1
	{Left} Left	210739	511	1						1
	Cover, Seat Back Cushion (Richmond and Volta) Right	210740	511	1						1
	{Left} Left	210933	511	1						1
	Cover, Seat Back Cushion (Vinylite) Right	210934	511	1						1
	{Left} Left	210854	511, 512	1						1
		210855	511, 512	1						1

# INTERIOR TRIM

30.600

FIGURE NUMBER	GROUP, PART NAME and DESCRIPTION	PART NUMBER	MODELS	BODY STYLES						
				4-DR. SED.	BUS. CPE.	2-DR. SED.	4-DR. UTL.	CLUB CPE.	2-DR. UTL.	
	30.616 - FRONT SEAT CUSHIONS AND SEAT BACK (Cont'd)									
	Cover, Seat Back Cushion { (Dragon or Reptile) Right } { (Vinylite)(Plain) } Left	210967	511, 512							1
	Cover, Seat Back Cushion (Stockholm and Beaumont, Stockholm and Richmond, Bedford, Stockholm and Volta, All Richmond, Richmond and Volta)	210968	511, 512							1
	Cover, Seat Back Cushion (Stockholm)	210657	512	1						
	Cover, Seat Back Cushion (Stockholm and Normandy)	210689	512	1						
	Cover, Seat Back Cushion (Dragon or Reptile Vinylite) (Pleated)	210690	512	1						
	Cover, Seat Back Cushion (Leather)	210872	512	1			1			
	Cover, Seat Back Cushion { (Stockholm and Richmond, } Right { (Stockholm and Volta) } Left	210893	512							
	Cover, Seat Back Cushion { (All Richmond, Richmond } Right { and Volta) } Left	210658	512							
	Cover, Seat Back Cushion { (Dragon or Reptile } Right { Vinylite) (Pleated) } Left	210659	512							
	Cover, Seat Back Side Panel (Cloth)	210823	512							
	Cover, Seat Back Side Panel (Vinylite)	210824	512							
	Cover, Seat Back Side Panel { (Dragon or Reptile } Right { Vinylite) (Pleated) } Left	210969	512							
	Cover, Seat Back Side Panel (Cloth)	210970	512							
	Cover, Seat Back Side Panel (Vinylite)	210847	511, 512							
30-14-31	Cover, Seat Back Side Panel { (Dragon or Reptile } Right { Vinylite) (Pleated) } Left	210848	511, 512							
30-14-14	Cover, Seat Back Side Panel { (Dragon or Reptile } Right { Vinylite) (Pleated) } Left	210849	511, 512							
	Cover, Seat Back Side Panel { (Dragon or Reptile } Right { Vinylite) (Pleated) } Left	210850	511, 512							
	Cover, Seat Back Side Panel { (Dragon or Reptile } Right { Vinylite) (Pleated) } Left	210971	511, 512							
	Cover, Seat Back Side Panel { (Dragon or Reptile } Right { Vinylite) (Pleated) } Left	210972	511, 512							
	Cover, Seat Back Side Panel { (Dragon or Reptile } Right { Vinylite) (Pleated) } Left	207497	511, 512							
	Cover, Seat Back Side Panel { (Dragon or Reptile } Right { Vinylite) (Pleated) } Left	207498	511, 512							
	Cover, Seat Back Side Panel { (Dragon or Reptile } Right { Vinylite) (Pleated) } Left	247	511, 512							
	Cover, Seat Back Side Panel { (Dragon or Reptile } Right { Vinylite) (Pleated) } Left	791	511, 512							
	Cover, Seat Back Side Panel { (Dragon or Reptile } Right { Vinylite) (Pleated) } Left	207499	511, 512							
	Cover, Seat Back Side Panel { (Dragon or Reptile } Right { Vinylite) (Pleated) } Left	775	511, 512							
	Cover, Seat Back Side Panel { (Dragon or Reptile } Right { Vinylite) (Pleated) } Left	213099	511, 512							
	Cover, Seat Back Side Panel { (Dragon or Reptile } Right { Vinylite) (Pleated) } Left	212115	511, 512							
	Cover, Seat Back Side Panel { (Dragon or Reptile } Right { Vinylite) (Pleated) } Left	247	511, 512							
	Cover, Seat Back Side Panel { (Dragon or Reptile } Right { Vinylite) (Pleated) } Left	212116	511, 512							
	Cover, Seat Back Side Panel { (Dragon or Reptile } Right { Vinylite) (Pleated) } Left	791	511, 512							
	30.620 - REAR SEAT CUSHION AND SEAT BACK									
30-14-20	Cushion Complete, Seat (Cloth Combination or Richmond)	210660	511	1						

FIGURE NUMBER	GROUP, PART NAME and DESCRIPTION	PART NUMBER	MODELS	BODY STYLES							
				4-DR. SED.	BUS. CPE.	2-DR. SED.	4-DR. UTIL.	CLUB CPE.	2-DR. UTIL.		
30-12-10	30.620 - REAR SEAT CUSHION AND SEAT BACK (Cont'd)										
	Cushion Complete, Seat (Cloth Plain) . . . . .	210695	511	1							
	Cushion Complete, Seat (Broadcloth) . . . . .	210741	511	1							
	Cushion Complete, Seat (Vinylite) . . . . .	210724	511	1							
	Cushion Complete, Seat (Dragon Vinylite) (Plain) . . . . .	210973	511	1			1	1			
	Cushion Complete, Seat (Vinylite) . . . . .	210924	511, 512								1
	Cushion Complete, Seat (Reptile Vinylite) (Plain) . . . . .	211091	511				1	1			1
	Cushion Complete, Seat (Dragon Vinylite) (Plain) . . . . .	210899	511								
	Cushion Complete, Seat (Cloth) . . . . .	210661	512	1							
	Cushion Complete, Seat (Vinylite) . . . . .	210725	512	1			1	1			
	Cushion Complete, Seat (Dragon or Reptile Vinylite) (Pleated) . . . . .	210873	512	1			1	1			
	Cushion Complete, Seat (Dragon Vinylite) (Plain) . . . . .	211061	512	1			1	1			
	Cushion Complete, Seat (Leather) . . . . .	210886	512	1			1	1			
	Cushion Complete, Seat (Reptile Vinylite) (Pleated) . . . . .	211092	512					1			1
	Cushion Complete, Seat (Cloth) . . . . .	210825	512								
	Cushion Complete, Seat (Vinylite) . . . . .	210925	512								1
	Cushion Complete, Seat (Dragon Vinylite) (Pleated) . . . . .	211063	512								1
	Cushion Complete, Seat (Dragon Vinylite) (Plain) . . . . .	211062	512								1
	Cover, Seat Cushion (Cloth Combination or Richmond) . . . . .	210675	511	1			1	1			
	Cover, Seat Cushion (Cloth Plain) . . . . .	210696	511	1			1	1			
	Cover, Seat Cushion (Broadcloth) . . . . .	210742	511	1			1	1			
	Cover, Seat Cushion (Vinylite) . . . . .	210726	511, 512				1	1			
	Cover, Seat Cushion (Dragon Vinylite) (Plain) . . . . .	210797	511, 512				1	1			
	Cover, Seat Cushion (Vinylite) . . . . .	210926	511, 512					1			1
	Cover, Seat Cushion (Reptile Vinylite) (Plain) . . . . .	211093	511					1			1
	Cover, Seat Cushion (Dragon Vinylite) (Plain) . . . . .	210900	511, 512								
	Cover, Seat Cushion (Cloth) . . . . .	210662	512	1			1	1			
Cover, Seat Cushion (Dragon or Reptile Vinylite) (Pleated) . . . . .	210874	512	1			1	1				
Cover, Seat Cushion (Leather) . . . . .	210887	512	1			1	1				
Cover, Seat Cushion (Reptile Vinylite) (Pleated) . . . . .	211094	512					1			1	
Cover, Seat Cushion (Cloth) . . . . .	210826	512								1	
Cover, Seat Cushion (Vinylite) . . . . .	210975	512								1	
Cover, Seat Cushion (Dragon Vinylite) (Pleated) . . . . .	211064	512								1	
Pad, Seat Cushion (Rubber) . . . . .	212820	511, 512								1	
Pad, Seat Cushion (Rubber) . . . . .	207500	511, 512								1	
Cushion Complete, Seat Back (Cloth Combination or Richmond) . . . . .	210676	511	1			1	1				
Cushion Complete, Seat Back (Cloth Plain) . . . . .	210697	511	1			1	1				



# INTERIOR TRIM

30.600

FIGURE NUMBER	GROUP, PART NAME and DESCRIPTION	PART NUMBER	MODELS	BODY STYLES								
				4-DR. SED.	BUS. CPE.	2-DR. SED.	4-DR. VTL.	CUB. CPE.	2-DR. VTL.			
30-12-11	<b>30.620 - REAR SEAT CUSHION AND SEAT BACK (Cont'd)</b>			1								
	Cushion Complete, Seat Back (Broadcloth) . . . . .	210743	511	1								
	Cushion Complete, Seat Back (Vinylite) . . . . .	210727	511, 512	1								
	Cushion Complete, Seat Back (Dragon Vinylite) (Plain) . . . . .	210976	511, 512	1								
	Cushion Complete, Seat Back (Vinylite) . . . . .	210927	511, 512	1			1					
	Cushion Complete, Seat Back (Reptile Vinylite) (Plain) . . . . .	211095	511	1			1					
	Cushion Complete, Seat Back (Dragon Vinylite) (Plain) . . . . .	210897	511, 512	1								
	Cushion Complete, Seat Back (Vinylite) . . . . .	210977	511, 512	1								
	Cushion Complete, Seat Back (Cloth) . . . . .	210663	512	1								
	Cushion Complete, Seat Back (Dragon or Reptile Vinylite) (Pleated) . . . . .	210875	512	1								
	Cushion Complete, Seat Back (Leather) . . . . .	210888	512	1								
	Cushion Complete, Seat Back (Reptile Vinylite) (Pleated) . . . . .	211096	512	1								
	Cushion Complete, Seat Back (Cloth) . . . . .	210827	512	1								
	Cushion Complete, Seat Back (Dragon Vinylite) (Pleated) . . . . .	211065	512	1								
	Cover, Seat Back Cushion (Cloth Combination or Richmond) . . . . .	210677	511	1								
	Cover, Seat Back Cushion (Cloth Plain) . . . . .	210698	511	1								
	Cover, Seat Back Cushion (Broadcloth) . . . . .	210744	511	1								
	Cover, Seat Back Cushion (Vinylite) . . . . .	210728	511, 512	1								
	Cover, Seat Back Cushion (Dragon Vinylite) (Plain) . . . . .	210978	511, 512	1								
	Cover, Seat Back Cushion (Vinylite) . . . . .	210928	511, 512	1								
	Cover, Seat Back Cushion (Reptile Vinylite) (Plain) . . . . .	211097	511	1								
	Cover, Seat Back Cushion (Dragon Vinylite) (Plain) . . . . .	210898	511, 512	1								
	Cover, Seat Back Cushion (Vinylite) . . . . .	210979	511, 512	1								
Cover, Seat Back Cushion (Cloth) . . . . .	210664	512	1									
Cover, Seat Back Cushion (Dragon or Reptile Vinylite) (Pleated) . . . . .	210876	512	1									
Cover, Seat Back Cushion (Leather) . . . . .	210889	512	1									
Cover, Seat Back Cushion (Reptile Vinylite) (Pleated) . . . . .	211098	512	1									
Cover, Seat Back Cushion (Cloth) . . . . .	210828	512	1									
Cover, Seat Back Cushion (Dragon Vinylite) (Pleated) . . . . .	211066	512	1									
<b>30.622 - PACKAGE COMPARTMENT PANEL COVER</b>												
	Cover, Lower Panel (Burtex) . . . . .	210856	511, 512	1								
	Cover, Rear Panel (Burtex) . . . . .	210857	511, 512	1								
<b>30.624 - REAR SHELF TRIM PANEL COVER</b>												
	Cover (Dragon or Reptile Vinylite) (Pleated) . . . . .	210877	512	1								

FIGURE NUMBER	GROUP, PART NAME and DESCRIPTION	PART NUMBER	MODELS	BODY STYLES						
				4-DR. SED.	BUS. CPE.	2-DR. SED.	4-DR. UTIL.	CLUB CPE.	2-DR. UTIL.	
	<b>30.626 - SUN VISOR PANELS</b>			1	3	4	5	7	0	
30-14-7	Panel (19" Long x 5 1/2" Wide).....	210665	511	2	2	2	2	2	2	
	Panel (21 1/4" Long x 5 3/4" Wide).....	210731	511	2	2	2	2	2	2	
	Panel (19" Long x 5 1/2" Wide) (Cloth).....	210132	512	2	2	2	2	2	2	
	Panel (21 3/8" Long x 5 1/4" Wide) (Cloth) (less Finger Tip Pad).....	210749	512	2	2	2	2	2	2	
	Panel (21 3/8" Long x 5 1/4" Wide) (Cloth) (with Finger Tip Pad).....	211074	512	2	2	2	2	2	2	
	Panel (Vinylite).....	210732	511, 512	2	2	2	2	2	2	
	Arm and Bracket.....	207502	511, 512	2	2	2	2	2	2	
	Screw, No. 8-15 x 3/4" Ov. Hd. Cr. Rec. Tap. (Chrome).....	526	511, 512	*	*	*	*	*	*	
		<b>30.630 - FLOOR MATS, CARPETS AND DASH INSULATING PAD</b>								
30-14-29	Mat, Front Floor (Black) (less Hydra-Matic) (used with one Access Hole in Floor Pan).....	207503	511	1	1	1	1	1	1	
	Mat, Front Floor (Black) (less Hydra-Matic) (used with two Access Holes in Floor Pan).....	212121	511	1	1	1	1	1	1	
	Mat, Front Floor (Black) (less Hydra-Matic) (used with two Access Holes in Floor Pan).....	212121	512	1	1	1	1	1	1	
	Mat, Front Floor (Black) (with Hydra-Matic).....	209655	511	1	1	1	1	1	1	
	Mat, Front Floor (Black) (with Hydra-Matic).....	209655	512	1	1	1	1	1	1	
	Mat, Front Floor (Natural Gray) (less Hydra-Matic).....	212615	511	1	1	1	1	1	1	
	Mat, Front Floor (Natural Gray) (less Hydra-Matic).....	212615	512	1	1	1	1	1	1	
	Mat, Front Floor (Hickory Brown) (less Hydra-Matic).....	212616	511	1	1	1	1	1	1	
	Mat, Front Floor (Hickory Brown) (less Hydra-Matic).....	212616	512	1	1	1	1	1	1	
	Mat, Front Floor (Natural Gray) (with Hydra-Matic).....	212617	511	1	1	1	1	1	1	
30-14-29	Mat, Front Floor (Natural Gray) (with Hydra-Matic).....	212617	512	1	1	1	1	1	1	
	Mat, Front Floor (Hickory Brown) (with Hydra-Matic).....	212618	511	1	1	1	1	1	1	
	Mat, Front Floor (Hickory Brown) (with Hydra-Matic).....	212618	512	1	1	1	1	1	1	
	Carpet, Front Floor (less Hydra-Matic).....	210795	512	1	1	1	1	1	1	
	Carpet, Front Floor (with Hydra-Matic).....	210796	512	1	1	1	1	1	1	
	Pad, Front Floor Carpet.....	212842	512	2	2	2	2	2	2	
	Mat, Front Floor (Blue Velvet) (less Hydra-Matic).....	212934	512	1	1	1	1	1	1	
	Mat, Front Floor (Blue Velvet) (with Hydra-Matic).....	212935	512	1	1	1	1	1	1	
	Mat, Front Floor (London Green) (less Hydra-Matic).....	212936	512	1	1	1	1	1	1	
	Mat, Front Floor (London Green) (with Hydra-Matic).....	212937	512	1	1	1	1	1	1	
Mat, Front Floor (Caribbean Coral) (less Hydra-Matic).....	212938	512	1	1	1	1	1	1		
Mat, Front Floor (Caribbean Coral) (with Hydra-Matic).....	212939	512	1	1	1	1	1	1		

\* As Required

FIGURE NUMBER	GROUP, PART NAME and DESCRIPTION	PART NUMBER	MODELS	BODY STYLES					
				4-DR. SED.	BUS. CPE.	2-DR. SED.	4-DR. UTIL.	CLUB CPE.	2-DR. UTIL.
30-14-27	30.630 - FLOOR MATS, CARPETS AND DASH INSULATING PAD (Cont'd)			1	3	4	5	7	0
	Mat, Front Floor (Natural Gray) (less Hydra-Matic) . . . . .	212940	512	1	1	1		1	
	Mat, Front Floor (Natural Gray) (with Hydra-Matic) . . . . .	212941	512	1	1	1		1	
	Mat, Front Floor (Hickory Brown) (less Hydra-Matic) . . . . .	212942	512	1	1	1		1	
	Mat, Front Floor (Hickory Brown) (with Hydra-Matic) . . . . .	212943	512	1	1	1		1	
	Mat, Rear Floor (Natural Gray) . . . . .	212619	511	1	1	1		1	
	Mat, Rear Floor (Hickory Brown) . . . . .	212620	511	1	1	1		1	
	Mat, Rear Floor (Natural Gray) . . . . .	212623	511, 512				1		1
	Mat, Rear Floor (Hickory Brown) . . . . .	212624	511, 512				1		1
	Mat, Rear Floor (Natural Gray) . . . . .	212625	511, 512	1	1				
	Mat, Rear Floor (Hickory Brown) . . . . .	212626	511, 512	1	1				
	Carpet, Rear Floor . . . . .	210667	511, 512	1	1	1		1	1
	Carpet, Rear Floor . . . . .	210829	512						
	Pad, Dash Insulating . . . . .	207504	511, 512	8	8	8	8	8	8
Fastener . . . . .	209717								
30.634 - ROOF COVER									
	NOTE: Paint Code must be specified when ordering the following parts.								
30-14-27	Cover . . . . .	210915	512	1					
	Cover, Rear Belt . . . . .	210916	512	1					
	Cover, Windshield Pillar . . . . .	210917	512	2					
	Drive Nail . . . . .	205670	512	*					
	30.636 - TACKING STRIPS								
	Tacking Strip, Roof Side Rail . . . . .	207505	511, 512	2	2	2	2	2	2
	Tacking Strip, Roof Side Rail . . . . .	207506	511, 512	2	2	2	2	2	2
	Tacking Strip, Rear Quarter Panel . . . . .	207507	511, 512	2	2	2	2	2	2
	Tacking Strip, Front Pillar, Upper . . . . .	207508	511, 512	2	2	2	2	2	2
	Tacking Strip, Front Pillar, Lower . . . . .	207509	511, 512	2	2	2	2	2	2
Tacking Strip, Front Pillar, Bottom . . . . .	209512	511, 512	2	2	2	2	2	2	
Tacking Strip, Quarter Pillar, Upper . . . . .	209594	511, 512	2	2	2	2	2	2	
Tacking Strip, Lock Pillar . . . . .	212827	511, 512	2	2	2	2	2	2	
Tacking Strip, Roof and Lock Pillar . . . . .	212828	511, 512	2	2	2	2	2	2	

\* As Required



FIGURE NUMBER	GROUP, PART NAME and DESCRIPTION	PART NUMBER	MODELS	BODY STYLES					
				4-DR. SED.	BUS. CFE.	2-DR. SED.	4-DR. UTL.	4-DR. UTL.	2-DR. UTL.
	<b>30.702 - BODY WIRING HARNESS</b>			1	3	4	5	7	0
	Harness (W/DS) . . . . .	208416	511						
	Harness (W/DS) . . . . .	208418	511	1	1	1	1	1	
	Harness (W/DS) . . . . .	208710	511						1
	Harness (W/DS) . . . . .	208421	511						
	Harness (W/DS) . . . . .	208423	512	1	1	1	1	1	
	Harness (W/DS) . . . . .	208425	512						
	Harness (W/DS) . . . . .	208427	512						
	Harness (W/DS) . . . . .	208431	512						
	Harness, Front Door Switch Wiring . . . . .	209603	512	1	1	1	1	1	1
	Terminal, 15 Amp., 14-16 Gauge Wire . . . . .	201214	511, 512	*	*	*	*	*	*
	Terminal . . . . .	200992	511, 512	*	*	*	*	*	*
	Terminal, 15 Amp., 12 Gauge Wire . . . . .	200996	511, 512	*	*	*	*	*	*
	Terminal, Slip On . . . . .	201458	511, 512	*	*	*	*	*	*
	Terminal, Eyelet Type, No. 8 Hole, 14-16 Gauge Wire . . . . .	860	511, 512	*	*	*	*	*	*
	Terminal, Eyelet Type, No. 10 Hole, 14-16 Gauge Wire . . . . .	798	511, 512	*	*	*	*	*	*
	Terminal, Eyelet Type, No. 10 Hole, 10-12 Gauge Wire . . . . .	799	511, 512	*	*	*	*	*	*
	Sleeve, 13/64" I.D. x 1" . . . . .	200997	511, 512	*	*	*	*	*	*
	Sleeve, 9/64" I.D. x 1" . . . . .	200998	511, 512	*	*	*	*	*	*
	Sleeve, 9/64" I.D. x 1 1/2" . . . . .	201459	511, 512	*	*	*	*	*	*
	Socket, Tail and Stop Light . . . . .	208432	511, 512	2	2	2	2	2	2
	Spring, Tail and Stop Light Socket . . . . .	200860	511, 512	2	2	2	2	2	2
	Washer, Tail and Stop Light Socket . . . . .	208433	511, 512	2	2	2	2	2	2
	Clip (Windshield Header Panel) . . . . .	205359	511, 512	3	3	3	3	3	3
	Clip (Deck Lid Reinforcement) . . . . .	208434	511, 512	1	1	1	1	1	1
	Clip (Luggage Shelf) . . . . .	201614	511, 512	4	4	4	4	4	4
	Clip (Switch Wiring Harness to Inst. Board) . . . . .	205693	511, 512	1	1	1	1	1	1
	Retainer (Drain Trough) . . . . .	208435	511, 512						
	Grommet, Body Wiring (on Tail Gate) . . . . .	212539	511, 512						
	<b>30.707 - PILLAR LIGHT</b>								
	Light . . . . .	207384	511, 512	2	2	2	2	2	2
	Socket . . . . .	206331	511, 512	2	2	2	2	2	2
	Spring . . . . .	200860	511, 512	2	2	2	2	2	2
	Washer . . . . .	208436	511, 512	2	2	2	2	2	2
	Washer . . . . .	208437	511, 512	2	2	2	2	2	2
30-14-16									

\* As Required

FIGURE NUMBER	GROUP, PART NAME and DESCRIPTION	PART NUMBER	MODELS	BODY STYLES								
				4-DR. SED.	BUS. CFE.	2-DR. SED.	4-DR. UTIL.	CLUB CFE.	2-DR. UTIL.			
	30.707 - PILLAR LIGHT (Cont'd)											
	Bulb . . . . .	202658	511, 512	2	2	2	2	2	2	2	2	2
	Switch, Automatic . . . . .	208438	511	1	1	1	1	1	1	1	1	1
	Switch, Automatic . . . . .	208438	512	3	2	2	3	2	3	2	2	2
	Plug, Pillar, Switch . . . . .	208439	511	3	1	1	2	2	3	2	2	2
	Plug, Pillar Switch . . . . .	208439	512	1								
	30.710 - GLOVE COMPARTMENT LIGHT											
7-1-9	Cable and Socket . . . . .	208440	512	1	1	1	1	1	1	1	1	1
	Switch, Automatic . . . . .	204771	512	1	1	1	1	1	1	1	1	1
	Bulb . . . . .	201502	512	1	1	1	1	1	1	1	1	1

FIGURE NUMBER	GROUP, PART NAME and DESCRIPTION	PART NUMBER	MODELS	BODY STYLES						
				4-DR. SED.	BUS. CPE.	2-DR. SED.	4-DR. UTIL.	CLUB CPE.	2-DR. UTIL.	
30-9-9	30.802 - REAR VIEW MIRROR	212465	511	1	1	1	1	1	1	0
30-9-9	Mirror and Bracket (Painted) . . . . . Mirror and Bracket, Glare Proof Tilt (Silver Tint) . . . . .	205392	512	1	1	1	1	1	1	1
30-14-24	30.804 - WINDSHIELD AND DOOR GARNISH MOULDINGS	208442	511, 512	1						
	Door Garnish Moulding (See Group 30.101 and 30.119) Windshield Garnish Moulding (See Group 30.304)	630	511, 512	2						
	30.806 - FRONT SEAT BACK ASH RECEIVER	207165	511, 512	1						
	Ash Receiver Complete (Chrome) . . . . . Screw, No. 10-12 x 7/8" Ov. Hd. Cr. Rec. . . . . Body, Ash Receiver . . . . . Cover, Ash Receiver (Chrome) . . . . . Knob, Ash Receiver (Chrome) . . . . . Screw, No. 8-32 x 3/16" Rd. Hd. Cr. Rec. . . . .	208444 207167 964	511, 512	1						
	30.807 - REAR QUARTER ASH RECEIVER	208446	511, 512		1					
	Ash Receiver, Right . . . . . Ash Receiver, Left . . . . . Cover, Ash Receiver, Right (Plastic) . . . . . Cover, Ash Receiver, Left (Plastic) . . . . . Knob, Ash Receiver (Chrome) . . . . . Screw, No. 8-32 x 3/4" Pan Hd. Cr. Rec. . . . .	208447 208448 208449 208450 762	511, 512		1	1	1	1	1	2
30-14-28	30.808 - SCUFF PLATES	208453	511, 512	1						
	Plate, Front, Right . . . . . Plate, Front, Left . . . . . Plate, Front, Right . . . . . Plate, Front, Left . . . . . Plate, Rear, Right . . . . . Plate, Rear, Left . . . . . Screw, No. 10-12 x 3/8" Rd. Hd. Cr. Rec. Tap. . . . .	208454 208455 208456 208457 208458 609	511, 512	1	1	1	1	1	1	1
30-14-26			511, 512	1						

\* As Required



# NOTES

LACERATED BY [unclear] CONSTRUCTION