

FIGURE 6-1—WATER PUMP—4 CYLINDER—EXPLODED VIEW

KEY	PART NAME	GROUP	KEY	PART NAME	GROUP
1	Bolt, Fan to Pulley and Hub. . . . .	6.000	7	Body . . . . .	6.300
2	Lockwasher, Fan to Pulley and Hub . . . . .	6.000	8	Washer (Carbon) . . . . .	6.300
3	Fan. . . . .	6.000	9	Seal . . . . .	6.300
4	Pulley and Hub . . . . .	6.000	10	Impeller . . . . .	6.300
5	Shaft, Drive . . . . .	6.300	11	Gasket (to Block) . . . . .	6.300
6	Snap Ring. . . . .	6.300			

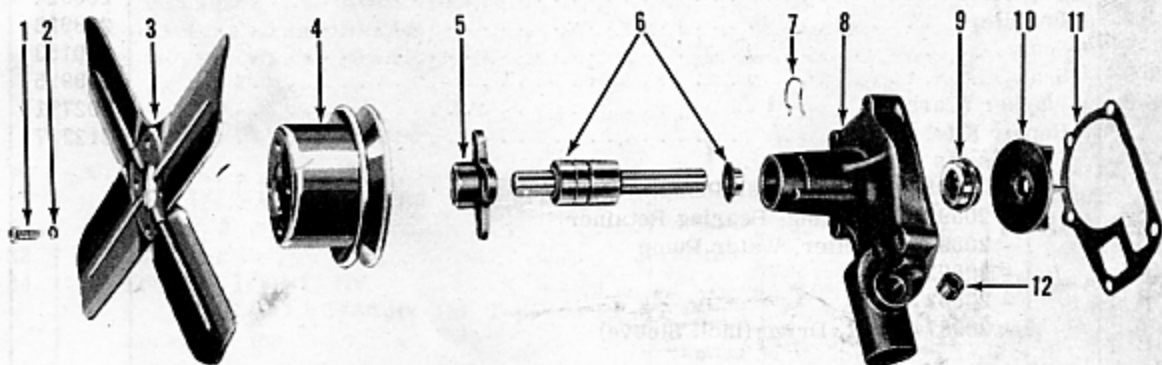


FIGURE 6-2—WATER PUMP—6 CYLINDER—EXPLODED VIEW

KEY	PART NAME	GROUP	KEY	PART NAME	GROUP
1	Bolt, Fan to Pulley and Hub. . . . .	6.000	7	Snap Ring. . . . .	6.300
2	Lockwasher, Fan to Pulley and Hub . . . . .	6.000	8	Body . . . . .	6.300
3	Fan. . . . .	6.000	9	Seal . . . . .	6.300
4	Pulley . . . . .	6.000	10	Impeller . . . . .	6.300
5	Hub. . . . .	6.000	11	Gasket, Pump to Block. . . . .	6.300
6	Shaft Assembly, Drive . . . . .	6.300	12	Plug . . . . .	6.300

## COOLING

FIGURE NUMBER	GROUP, PART NAME and DESCRIPTION	PART NUMBER	USED PER CAR MODEL	
			513	514
	<b>6.000 - FAN</b>			
6-1-3	Fan . . . . .	212888	1	
6-2-3	Fan . . . . .	208929		1
	Shroud . . . . .	209746	1	
6-1-4	Pulley and Hub . . . . .	208926	1	
6-1-1	Bolt, 1/4"-20 x 5/8" Hx. Hd. . . . .	257	4	
6-1-2	Lockwasher, 1/4" Ext. Tooth . . . . .	370	4	
6-2-4	Pulley . . . . .	208928		1
6-2-1	Bolt, 1/4"-20 x 5/8" Hx. Hd. . . . .	257		4
6-2-2	Lockwasher, 1/4" . . . . .	190		4
6-2-5	Hub . . . . .	208927		1
1-1-6	Belt . . . . .	209577	1	
1-2-7	Belt . . . . .	208930		1
	<b>6.300 - WATER PUMP</b>			
1-3-2	Pump . . . . .	208915	1	
	Bolt, 5/16"-18 x 2 1/2" . . . . .	954	1	
	Bolt, 5/16"-18 x 7/8" Hx. Hd. . . . .	209	2	
	Bolt, 5/16"-18 x 1 1/8" Hx. Hd. . . . .	296	1	
	Lockwasher, 5/16" . . . . .	240	4	
1-4-2	Pump . . . . .	208914		1
	Bolt, 5/16"-18 x 1 5/8" Hx. Hd. . . . .	960		4
	Flatwasher (Copper) 5/16" . . . . .	881		1
	Lockwasher, 5/16" . . . . .	240		4
6-1-11	Gasket (to Block) . . . . .	208917	1	
6-2-11	Gasket (to Block) . . . . .	208916		1
6-1-7	Body . . . . .	208919	1	
6-2-8	Body . . . . .	208918		1
6-2-12	Plug, Pipe, 3/8" Sq. Hd. . . . .	121	1	1
6-1-5	Shaft, Drive . . . . .	208921	1	
6-2-6	Shaft, Drive (incl. Sleeve) . . . . .	209574		1
6-1-6	Snap Ring . . . . .	208922	1	1
6-1-10	Impeller . . . . .	208924	1	
6-2-10	Impeller . . . . .	208923		1
6-1-9	Seal . . . . .	200153	1	
6-2-9	Seal . . . . .	208925		1
6-1-8	Washer (Carbon) . . . . .	202771	1	
	Repair Kit . . . . .	212337		1
	Consists of:			
	1 - 208916 Gasket, Water Pump to Block			
	1 - 208922 Snap Ring, Bearing Retainer			
	1 - 208923 Impeller, Water Pump			
	1 - 208925 Seal			
	1 - 208927 Hub			
	1 - 209574 Shaft, Drive (incl. Sleeve)			
	<b>6.400 - RADIATOR</b>			
	Radiator . . . . .	209747	1	1
	Bolt, 5/16"-12 x 3/4" Hx. Hd. Tap. . . . .	445	6	6
	Speednut . . . . .	206763	6	6
	Cap, Filler (Non-Pressure Type) . . . . .	209748	1	1
	Cap, Filler (Pressure Type) . . . . .	204406	1	1
	Drain Cock . . . . .	208721	1	1

# COOLING

6

FIGURE NUMBER	GROUP, PART NAME and DESCRIPTION	PART NUMBER	USED PER CAR MODEL	
			513	514
<b>6.410 - THERMOSTAT</b>				
1-3-6	Thermostat (opens at 151°) . . . . .	200160	1	1
1-3-6	Thermostat (opens at 170°) (for Permanent Anti-Freeze only) . . . . .	202349	1	1
	Adapter Ring. . . . .	208946	1	
	Adapter Ring. . . . .	208945		1
<b>6.420 - RADIATOR HOSE</b>				
<u>NOTE: Sold only in 3 Ft. Lengths.</u>				
	Hose (1" I.D. x 3 Ft.) . . . . .	202700		
	Hose (1 1/4" I.D. x 3 Ft.) . . . . .	202701		
	Hose (1 1/2" I.D. x 3 Ft.) . . . . .	202702		
	Hose (1 3/4" I.D. x 3 Ft.) . . . . .	202703		
	Hose, Radiator Inlet (Moulded Rubber). . . . .	209749	1	
	Hose, Radiator Inlet (Moulded Rubber). . . . .	209750		1
	Hose, Radiator Outlet (Moulded Rubber). . . . .	209751	1	
	Hose, Radiator Outlet (Moulded Rubber). . . . .	209752		1
	Clamp, 1 7/8" Dia. . . . .	202128	4	4
<b>6.425 - WATER OUTLET ELBOW - CYLINDER HEAD</b>				
1-3-5	Elbow . . . . .	208932	1	
1-4-5	Elbow . . . . .	208931		1
	Bolt, 3/8"-16 x 1 1/8" Hx. Hd. . . . .	182	3	2
	Lockwasher, 3/8" Med. . . . .	192	3	2
	Gasket . . . . .	208934	1	
	Gasket . . . . .	208933		1
<b>6.444 - WATER TEMPERATURE GAUGE - ENGINE UNIT</b>				
	Gauge . . . . .	207417	1	1
	Nut, Terminal, No. 10-32 Hx. . . . .	202	1	1
	Lockwasher, No. 10 Ext. Tooth. . . . .	294	1	1
	Adapter (to Cylinder Block). . . . .	207532	1	
	Adapter (to Cylinder Block). . . . .	209685		1
<b>6.455 - RADIATOR CRADLE</b>				
18-2-20	Cradle . . . . .	209753	1	1
18-2-21	Bolt, 1/2"-13 x 1 3/8" Rd. Hd. Carriage . . . . .	961	1	1
18-2-23	Spacer, 2" x 1 3/8" . . . . .	213372	1	1
18-2-22	Insulator . . . . .	209713	1	1
18-2-24	Locknut, 1/2"-13 Hx. . . . .	856	1	1
	Bolt, 5/16"-12 x 3/4" Hx. Hd. Tap. . . . .	445	8	8
	Lockwasher . . . . .	200	8	8
	Speednut . . . . .	206763	8	8
	Anti-Squeak . . . . .	209754	2	2
<b>6.480 - RADIATOR SHROUD</b>				
18-2-25	Shroud (incl. Hood Lock Latch Panel) . . . . .	209755	1	1
	Anti-Squeak . . . . .	201806	2	2
	Anti-Squeak . . . . .	209756	2	2
	Screw, No. 14-10 x 3/4" Washer Hd. . . . .	207549	6	6
	Shim (Horse Shoe Shaped) . . . . .	209877	*	*
	Speednut, "J" Type . . . . .	207541	6	6

\*As Required

# COOLING

FIGURE NUMBER	GROUP, PART NAME and DESCRIPTION	PART NUMBER	USED PER CAR MODEL		
			513	514	
<b>6.480 - RADIATOR SHROUD (Cont'd)</b>					
18-2-5	Support, Right . . . . .	{ to Radiator } . . . . .	209757	1	1
18-2-19	Support, Left . . . . .	{ Cradle } . . . . .	209758	1	1
	Screw, No. 14-10 x 3/4" Washer Hd. . . . .	{ to } . . . . .	207549	14	14
	Speednut, "J" Type . . . . .	{ Shroud } . . . . .	207541	14	14
<b>6.490 - RADIATOR GRILLE</b>					
30-1-5	Bar, Vertical . . . . .		209760	1	1
	Bolt, 1/4"-20 x 1/2" Hx. Hd. . . . .	{ to } . . . . .	179	6	6
	Lockwasher, 1/4" Ext. Tooth . . . . .	{ Grille } . . . . .	370	6	6
	Nut, 1/4"-20 Hx. . . . .	{ Bars } . . . . .	203	6	6
	Bolt with L/W (to Support) . . . . .		212540	2	2
30-1-6	Support, Center . . . . .		209761	1	1
	Screw, No. 14-10 x 3/4" Washer Hd. . . . .	{ to Stone } . . . . .	207549	2	2
	Speednut . . . . .	{ Deflector } . . . . .	212517	2	2
30-1-4	Bar, Right . . . . .	{ less Parking } . . . . .	209762	1	1
30-1-45	Bar, Left . . . . .	{ Light Housing } . . . . .	209763	1	1
	Bolt, 1/4"-20 x 5/8" Hx. Hd. . . . .	{ to Parking } . . . . .	257	4	4
	Lockwasher, 1/4" Int. Ext. Tooth . . . . .	{ Light Housing } . . . . .	400	4	4
	Nut, 1/4"-20 Hx. . . . .		203	4	4
30-1-2	Support, Right . . . . .		209764	1	1
30-1-47	Support, Left . . . . .		209765	1	1
	Screw, No. 14-10 x 3/4" Hx. Hd. Tap. . . . .	{ to Shroud and } . . . . .	966	4	4
	Speednut . . . . .	{ Stone Deflector } . . . . .	207541	4	4
<b>6.492 - STONE DEFLECTOR PANEL - FRONT</b>					
18-2-36	Panel . . . . .		209766	1	1
	Screw, No. 14-10 x 3/4" Washer Hd. . . . .	{ to } . . . . .	207549	12	12
	Speednut . . . . .	{ Shroud } . . . . .	212517	12	12
	Anti-Squeak . . . . .		209767	1	1
	Screw, No. 14-10 x 3/4" Washer Hd. . . . .	{ to } . . . . .	207549	4	4
	Speednut, "J" Type . . . . .	{ Fender } . . . . .	207541	4	4

