

FIGURE 12-1—REAR AXLE AND DIFFERENTIAL—EXPLODED VIEW

KEY	PART NAME	GROUP	KEY	PART NAME	GROUP
1	Plug, Grease Fitting	12.005	26	Flatwasher, Shaft	12.080
2	Housing	12.005	27	Bearing Cup, Shaft.	12.080
3	Locknut	11.020	28	Bearing Cone, Shaft.	12.080
4	Flatwasher	11.020	29	Shaft	12.080
5	Oil Seal, Pinion Bearing	12.050	30	Gasket, Cover.	12.005
6	Gasket, Pinion Bearing Oil Seal	12.050	31	Cover Assembly	12.005
7	Oil Slinger, Pinion Bearing	12.050	32	Filler Plug.	12.005
8	Bearing Cone, Pinion, Front	12.050	33	Bolt, Cover	12.005
9	Bearing Cup, Pinion, Front	12.050	34	Lockwasher, Cover	12.005
10	Oil Seal, Shaft Outer	12.080	35	Thrustwasher, Differential Side Gear	12.020
11	Gasket, Shaft Outer Oil Seal	12.080	36	Thrustblock	12.020
12	Retainer, Shaft Bearing	12.080	37	Lockpin, Differential Side Pinion Shaft	12.020
13	Shim, Shaft Bearing Adjusting	12.080	38	Shaft, Differential Side Pin	12.020
14	Oil Seal, Shaft Inner.	12.080	39	Thrustwasher, Differential Side Pinion	12.020
15	Shim, Pinion Bearing	12.050	40	Gear and Pinion Kit, Differential	12.020
16	Spacer, Pinion Bearing.	12.050	41	Bearing Cup, Differential	12.035
17	Drain Plug	12.005	42	Bearing Cone, Differential	12.035
18	Shim, Pinion Rear Bearing	12.060	43	Shim, Differential Bearing	12.035
19	Bolt, Differential Case	12.015	44	Lockplate, Gear and Pinion	12.045
20	Bearing Cup, Pinion, Rear	12.060	45	Bolt, Gear and Pinion	12.045
21	Bearing Cone, Pinion, Rear.	12.060	46	Case, Differential	12.015
22	Gear and Pinion Set	12.045			
23	Key, Shaft	12.080			
24	Nut, Shaft.	12.080			
25	Cotter Pin	12.080			

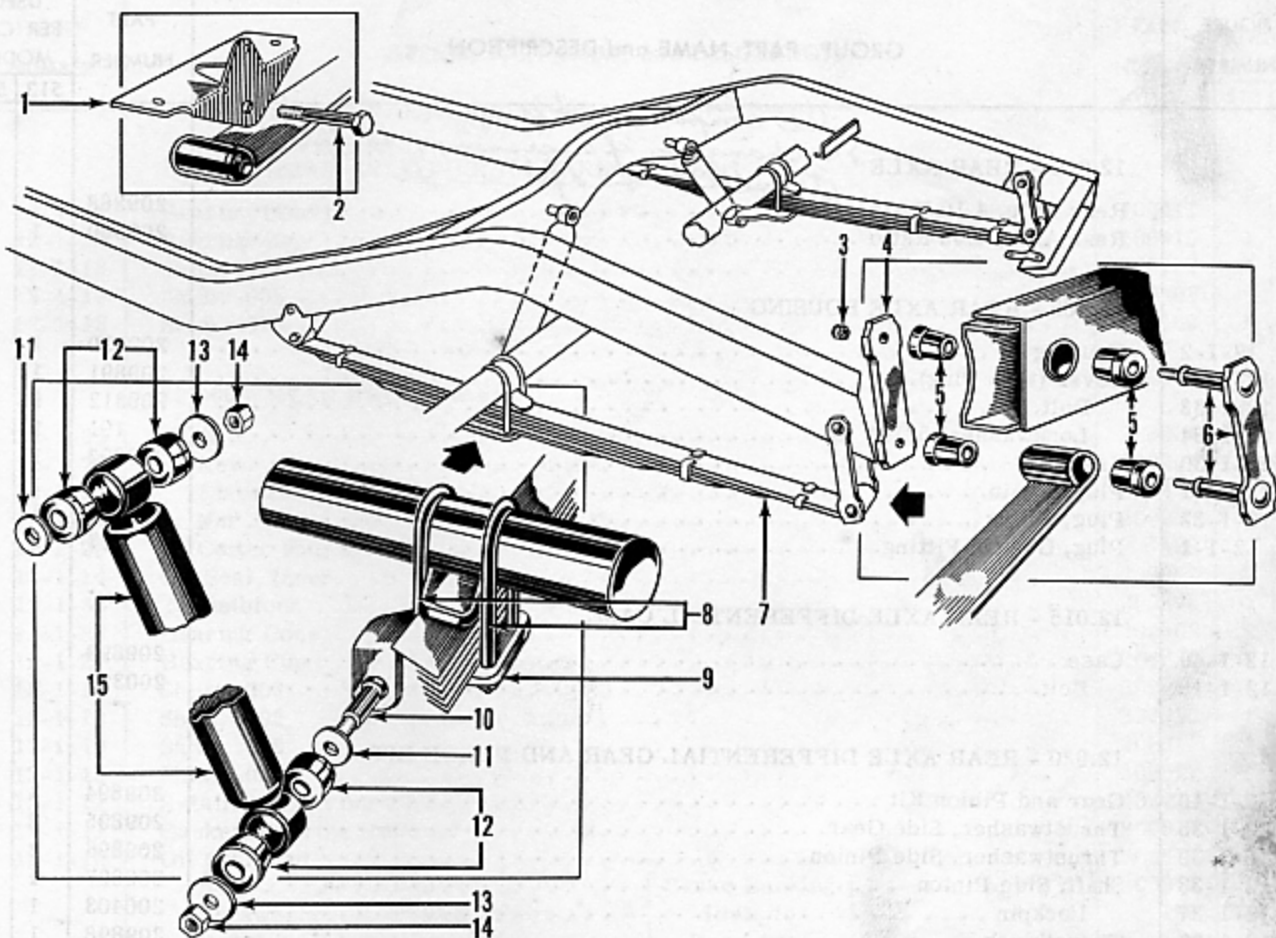


FIGURE 12-2—TYPICAL REAR SUSPENSION—EXPLODED VIEW

KEY	PART NAME	GROUP
1	Hanger, Rear Spring, Front.	12.200
2	Bolt, Rear Spring Front Hanger.	12.200
3	Locknut, Rear Spring Shackle	12.220
4	Link (serviced only in Shackle and Link Kit).	12.220
5	Bushing, Rear Spring Shackle	12.220
6	Shackle (serviced only in Shackle and Link Kit).	12.220
7	Spring Assembly, Rear.	12.200
8	"U" Bolt	12.215
9	Plate, Rear Spring Mounting, Left	12.215
10	Pin, Shock Absorber Lower Anchor	12.215
11	Flatwasher, Rear Shock Absorber, Inner	20.010
12	Bushing, Rear Shock Absorber.	20.010
13	Flatwasher, Rear Shock Absorber, Outer.	20.010
14	Locknut, Rear Shock Absorber.	20.010
15	Shock Absorber, Rear	20.010

REAR AXLE AND SUSPENSION

FIGURE NUMBER	GROUP, PART NAME and DESCRIPTION	PART NUMBER	USED PER CAR MODEL	
			513	514
	<i>The Companion Flange must be checked & changed, if necessary, to fit the Propeller shaft used.</i>			
	12.000 - REAR AXLE			
	Rear Axle, 4.10 Ratio	209888		1
	Rear Axle, 4.55 Ratio	209889	1	1
	12.005 - REAR AXLE HOUSING			
12-1-2	Housing	209890	1	1
12-1-31	Cover (with Plug)	209891	1	1
12-1-33	Bolt	209312	9	9
12-1-34	Lockwasher, 5/16" Hy.	191	9	9
12-1-30	Gasket	209892	1	1
12-1-17	Plug, Drain	339	1	1
12-1-32	Plug, Filler	338	1	1
12-1-1	Plug, Grease Fitting	527	2	2
	12.015 - REAR AXLE DIFFERENTIAL CASE			
12-1-46	Case	209893	1	1
12-1-19	Bolt	200396	4	4
	12.020 - REAR AXLE DIFFERENTIAL GEAR AND PINION KIT			
12-1-40	Gear and Pinion Kit	209894	1	1
12-1-35	Thrustwasher, Side Gear	209895	2	2
12-1-39	Thrustwasher, Side Pinion	209896	2	2
12-1-38	Shaft, Side Pinion	209897	1	1
12-1-37	Lockpin	200403	1	1
12-1-36	Thrustblock	209898	1	1
	12.035 - REAR AXLE DIFFERENTIAL BEARING			
12-1-42	Bearing Cone	209899	2	2
12-1-41	Bearing Cup	209900	2	2
12-1-43	Shim, .003	200391	*	*
12-1-43	Shim, .005	200392	*	*
12-1-43	Shim, .010	200393	*	*
12-1-43	Shim, .030	200394	*	*
	12.045 - REAR AXLE GEAR AND PINION			
12-1-22	Gear and Pinion, 4.10 Ratio (41 T. Gear, 10 T. Pinion)	209901		1
12-1-22	Gear and Pinion, 4.55 Ratio (41 T. Gear, 9 T. Pinion)	209902	1	1
12-1-45	Bolt	209319	8	8
12-1-44	Lockplate	209903	4	4
	12.050 - REAR AXLE PINION BEARING - FRONT			
12-1-8	Bearing Cone	200418	1	1
12-1-9	Bearing Cup	200417	1	1
12-1-15	Shim, .003	200413	*	*
12-1-15	Shim, .005	200414	*	*
12-1-15	Shim, .010	200415	*	*
12-1-15	Shim, .030	200416	*	*
12-1-7	Slinger	200419	1	1
12-1-6	Gasket	200421	1	1
12-1-5	Oil Seal	200420	1	1
12-1-16	Spacer	200412	1	1

REAR AXLE AND SUSPENSION

12

FIGURE NUMBER	GROUP, PART NAME and DESCRIPTION	PART NUMBER	USED PER CAR MODEL	
			513	514
12.060 - REAR AXLE PINION BEARING - REAR				
12-1-21	Bearing Cone	200411	1	1
12-1-20	Bearing Cup	200410	1	1
12-1-18	Shim, .003	200407	*	*
12-1-18	Shim, .005	200408	*	*
12-1-18	Shim, .010	200409	*	*
12.080 - REAR AXLE SHAFT				
12-1-29	Shaft	209904	2	2
12-1-23	Key	209905	2	2
12-1-26	Flatwasher	200424	2	2
12-1-24	Nut	209906	2	2
12-1-25	Cotter Pin, 1/8" Dia.	496	2	2
12-1-14	Oil Seal, Inner.	209907	2	2
12-1-36	Thrustblock	209898	1	1
12-1-28	Bearing Cone	209908	2	2
12-1-27	Bearing Cup	204635	2	2
12-1-13	Shim, .003	209909	*	*
12-1-13	Shim, .005	209910	*	*
12-1-13	Shim, .010	209911	*	*
12-1-13	Shim, .030	209912	*	*
12-1-12	Retainer, Bearing	209913	2	2
12-1-11	Gasket, Bearing Retainer	209914	4	4
12-1-10	Oil Seal, Outer	209915	2	2
	Bolt.	209916	8	8
	Lockwasher, 3/8" Med.	192	8	8
	Nut, 3/8"-24 Hx.	188	8	8
12-1-11	Gasket, Oil Seal Outer	209914	2	2
12.200 - REAR SPRINGS (INCL. BUSHING AND COVERS)				
12-2-7	Spring	209920	2	2
	Spring (Export - Hy. Duty)	212585	2	2
12-2-2	Bolt, 7/16"-20 x 3" Hx. Hd.	673	2	2
12-2-13	Locknut, 7/16"-20 Hx.	658	2	2
	Bushing (Front)	204364	2	2
12-2-1	Hanger (Front)	204933	2	2
12.215 - REAR SPRING MOUNTING PLATE				
	Plate, Right	209917	1	1
12-2-9	Plate, Left	209918	1	1
12-2-8	"U" Bolt	209919	4	4
	Locknut, 7/16"-20	202296	8	8
12-2-10	Pin, Shock Absorber Lower Anchor.	208665	2	2
	Locknut, 1/2"-20 Hx.	223	2	2
12.220 - REAR SPRING SHACKLE				
	Shackle Kit	205746	2	2
	Consists of:			
	1 - 200433 Shackle			
	1 - 202772 Link			
	2 - 200432 Locknut			
	4 - 200430 Bushing			
12-2-3	Locknut	200432	4	4
12-2-5	Bushing	200430	8	8

*As Required

NOTES