

FIGURE 30-1—BODY SHELL—2-DOOR SEDAN—EXPLODED VIEW

FIGURE 30-1—BODY SHELL—2-DOOR SEDAN—EXPLODED VIEW

KEY	PART NAME	GROUP	KEY	PART NAME	GROUP
1	Cover, Front Bumper, Right	20.210	27	Frame, Door Window, Left	30.202
2	Support, Radiator Grille Bar, Right	6.490	28	Bar, Door Division, Left.	30.202
3	Housing, Parking Light, Right (in Grille).	7.560	29	Pan, Rear Floor	30.058
4	Bar, Radiator Grille, Right.	6.490	30	Pan, Front Floor (not serviced separately).	
5	Bar, Radiator Grille, Vertical.	6.490	31	Panel, Rocker, Left.	30.056
6	Support, Radiator Grille Center.	6.490	32	Sill, Floor Side, Left (not serviced separately).	
7	Support, Radiator Shroud, Right.	6.480	33	Panel, Cowl Side, Outer (serviced in Cowl Complete)	30.054
8	Support, Radiator Shroud, Left	6.480	34	Panel, Cowl Side, Inner (serviced in Cowl Complete)	30.054
9	Cradle, Radiator	6.455			
10	Hood Ornament.	18.110	35	Panel, Cowl Upper (serviced in Cowl Complete)	30.054
11	Hood.	18.100	36	Board, Instrument (serviced in Cowl Complete)	30.402
12	Panel, Roof Header (not serviced separately).		37	Panel, Dash (serviced in Cowl Complete).	30.054
13	Rail, Inner Roof, Right.	30.052	38	Cowl Complete	30.054
14	Panel, Roof	30.052	39	Access Cover (Tappet Access).	18.010
15	Rail, Outer Roof, Right.	30.052	40	Shield, Front Fender Splash, Left.	18.010
16	Frame, Rear Window (not serviced separately).		41	Shield Front Fender Splash, Right	18.010
17	Lid, Rear Deck.	30.062	42	Fender, Front, Left.	18.000
18	Reinforcement, Rear Deck Cross (not serviced separately).		43	Plate, Hood Lock Latch Support.	18.147
19	Moulding, Roof Drip, Rear.	30.052	44	Shroud, Radiator.	6.480
20	Moulding, Roof Drip, Front.	30.052	45	Bar, Radiator Grille, Left.	6.490
21	Panel, Rear Quarter, Inner, Left.	30.040	46	Housing, Parking Light, Left (in Grille).	7.560
22	Panel, Rear Quarter, Left.	30.040	47	Support, Radiator Grille Bar, Left	6.490
23	Patch, Rear Quarter Panel, Left	30.040	48	Panel, Stone Deflector, Front	6.492
24	Fender, Rear, Left	30.041	49	Cover, Front Bumper Support, Left	20.210
25	Pillar, Rear Quarter Lock, Left	30.038	50	Bar, Front Bumper	20.200
26	Door, Left	30.102			

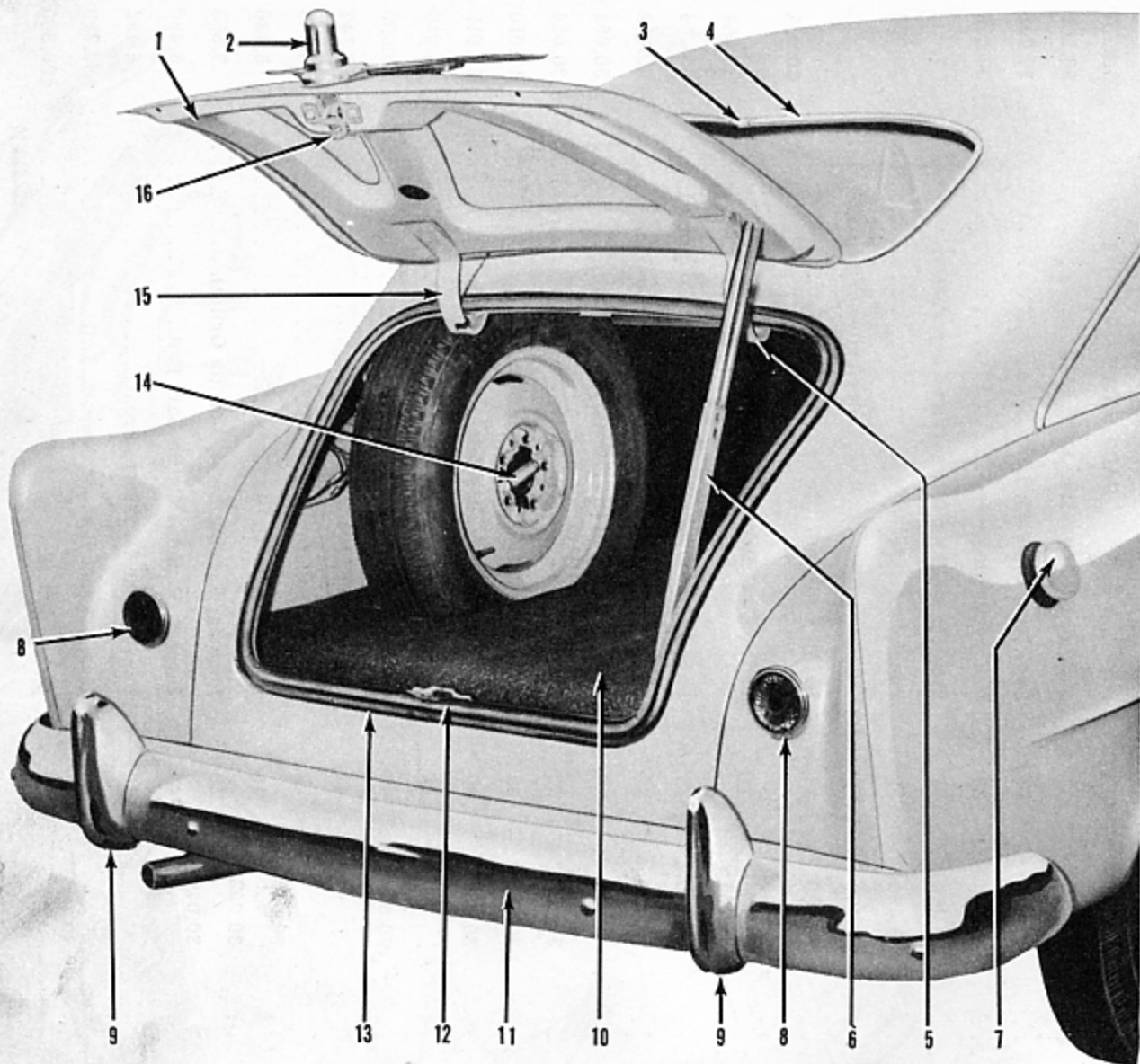


FIGURE 30-2—REAR COMPARTMENT

KEY	PART NAME	GROUP
1	Lid, Rear Deck	30.062
2	License Light Complete	30.0702
3	Clip (Joint) Rear Window Moulding	30.088
4	Moulding, Rear Window	30.088
5	Hinge, Deck Lid, Right	30.064
6	Prop, Deck Lid	30.064
7	Cap, Fuel Tank	3.520
8	Light, Tail	7.570
9	Guard, Bumper	20.260
10	Mat, Rear Compartment Floor	30.611
11	Bar, Rear Bumper	20.250
12	Striker, Deck Lid Lock Latch	30.074
13	Weatherstrip, Deck Lid Opening	30.062
14	Nut, Spare Tire Mounting	16.030
15	Hinge, Deck Lid, Left	30.064
16	Latch, Deck Lid Lock	30.074

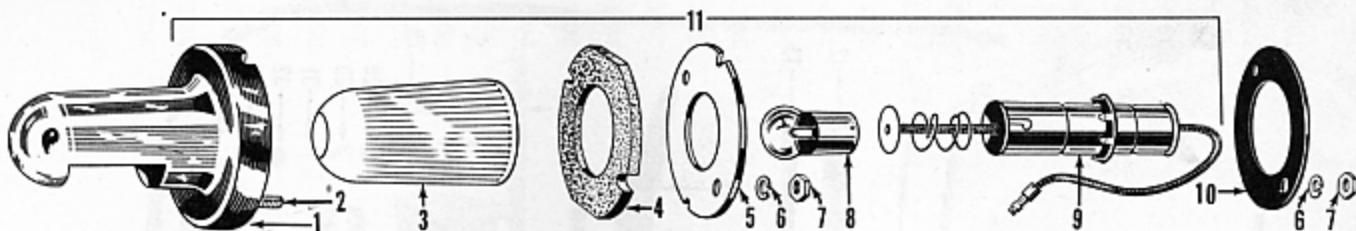


FIGURE 30-3—LICENSE LIGHT

KEY	PART NAME	GROUP
1	Housing (serviced in Light Assembly only).	30.0702
2	Stud, License Light Mounting.	30.0702
3	Lens	30.0702
4	Gasket, Lens	30.0702
5	Plate, Retainer	30.0702
6	Lockwasher, License Light Mounting	30.0702
7	Nut, License Light Mounting	30.0702
8	Bulb	30.0702
9	Cable and Socket	30.0702
10	Pad, License Light Mounting	30.0702
11	Light Assembly.	30.0702

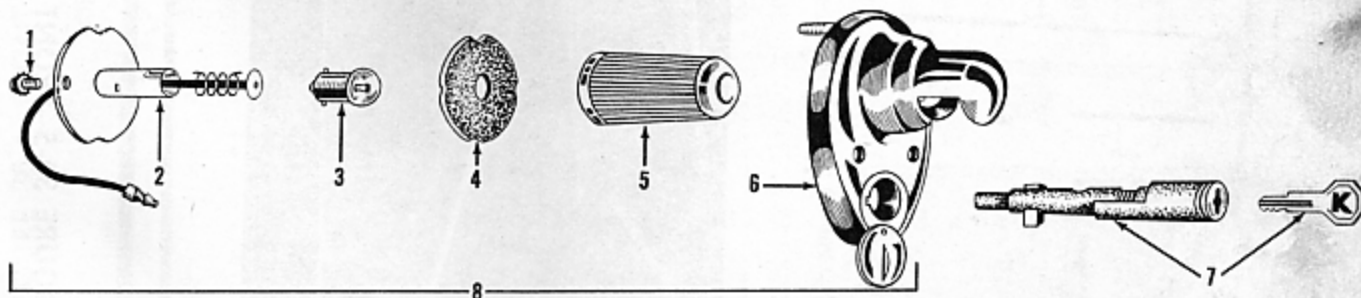


FIGURE 30-4—LICENSE LIGHT AND DECK LID LOCK—EXPLODED VIEW

KEY	PART NAME	GROUP
1	Screw with L/W, Socket to Housing.	30.0702
2	Cable and Socket, License Light.	30.0702
3	Bulb, License Light.	30.0702
4	Gasket, License Light Lens	30.0702
5	Lens, License Light.	30.0702
6	Housing, License Light.	30.0702
7	Lock Cylinder and Key	30.068
8	License Light	30.0702

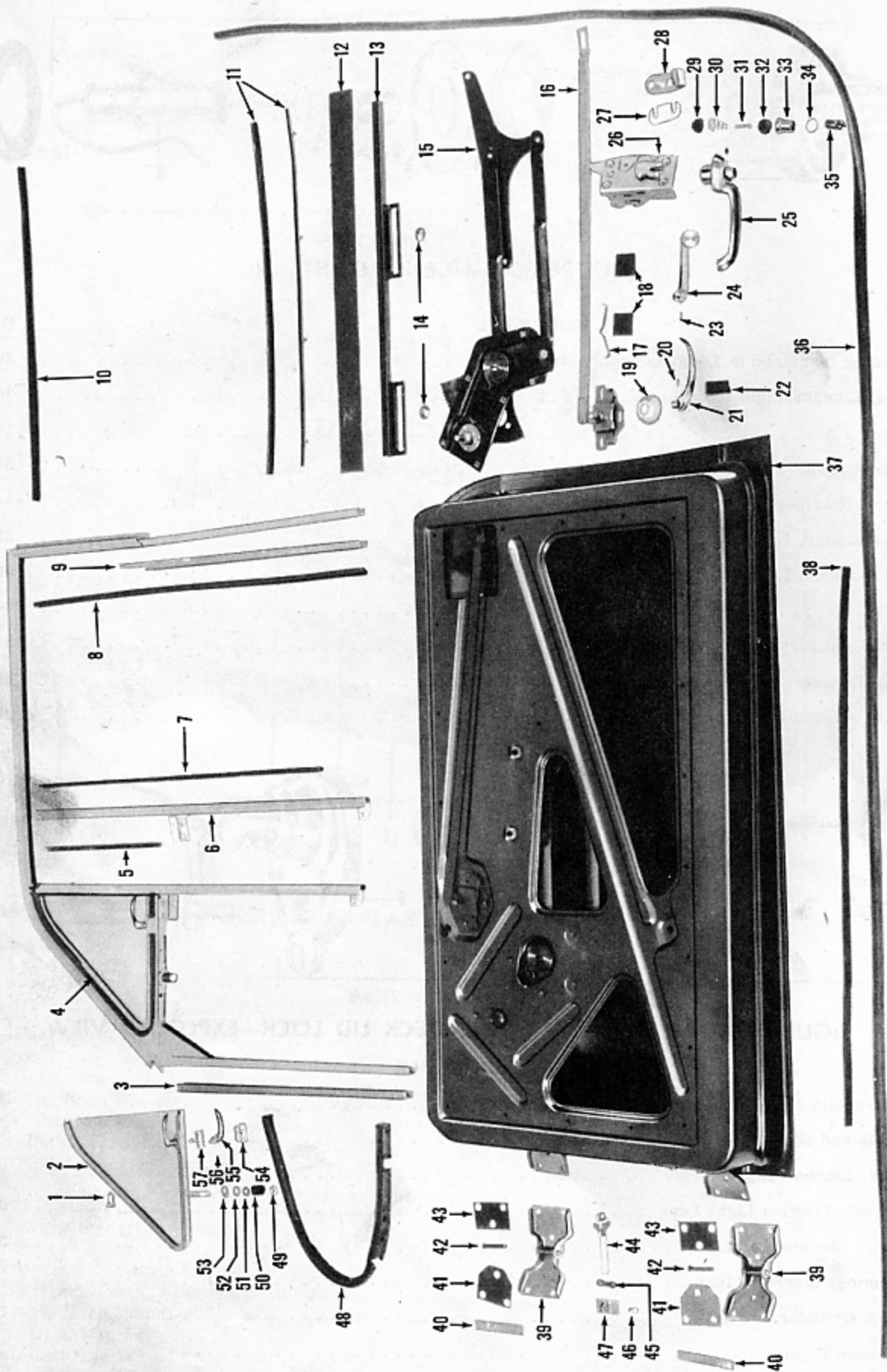


FIGURE 30-5—FRONT DOOR—RIGHT—EXPLODED VIEW

FIGURE 30-5—FRONT DOOR—RIGHT—EXPLODED VIEW

KEY	PART NAME	GROUP	KEY	PART NAME	GROUP
1	Bracket, Upper Pivot	30.206	30	Spring, Door Handle Button	30.114
2	Frame and Glass, Ventilator	30.206	31	Rod, Door Handle Button Push	30.114
3	Channel, Door Glass, Front	30.202	32	Plate, Door Handle Button Lock	30.114
4	Frame and Ventilator Complete	30.206	33	Button, Door Locking Handle	30.114
5	Weatherstrip, Ventilator Division Bar	30.206	34	Seal, Door Handle Button	30.114
6	Bar, Ventilator Division	30.206	35	Lock Cylinder and Key, Door Locking Handle	30.114
7	Run, Ventilator Division Bar	30.206	36	Weatherstrip, Door Opening	30.102
8	Run, Door Window Glass, Rear	30.204	37	Door, Right	30.102
9	Channel, Door Glass, Rear	30.202	38	Weatherstrip, Door Hinge Pillar	30.102
10	Run, Door Window Glass Upper	30.204	39	Hinge Complete, Door	30.108
11	Weatherstrip, Door Glass	30.204	40	Weatherseal, Door Hinge	30.108
12	Weatherstrip, Lower Channel	30.202	41	Anti-Squeak, Door Hinge	30.108
13	Channel, Door Glass Lifter Lower	30.202	42	Pin, Door Hinge	30.108
14	Clip (Flat Type), Channel to Regulator	30.202	43	Anti-Squeak, Door Hinge	30.108
15	Regulator, Door Glass	30.208	44	Arm, Door Check	30.112
16	Control, Door Remote	30.106	45	Guide, Door Check Arm	30.112
17	Spring, Remote Control Handle Escutcheon	30.106	46	Rivet, Door Check Arm Pivot Bracket	30.112
18	Pad, Remote Control to Door Inner Panel	30.106	47	Bracket, Door Check Arm Pivot	30.112
19	Escutcheon, Remote Control Handle	30.106	48	Weatherstrip, Ventilator Frame	30.206
20	Pin, Remote Control Handle	30.106	49	Nut, Lower Pivot	30.206
21	Handle, Remote Control	30.106	50	Spring, Lower Pivot	30.206
22	Bumper, Door Upper	30.112	51	Flatwasher, Lower Pivot	30.206
23	Pin, Regulator Handle	30.208	52	Washer, Lower Pivot	30.206
24	Handle, Regulator	30.208	53	Stop, Lower Pivot	30.206
25	Handle, Door Outside	30.114	54	Bracket, Ventilator Window Locking	30.206
26	Lock, Door	30.104	55	Handle, Ventilator	30.206
27	Shim, Striker Plate	30.104	56	Pin, Ventilator Handle	30.206
28	Plate, Door Lock Striker	30.104	57	Shaft and Bracket, Ventilator Handle	30.206
29	Retainer, Door Handle Button Spring	30.114			

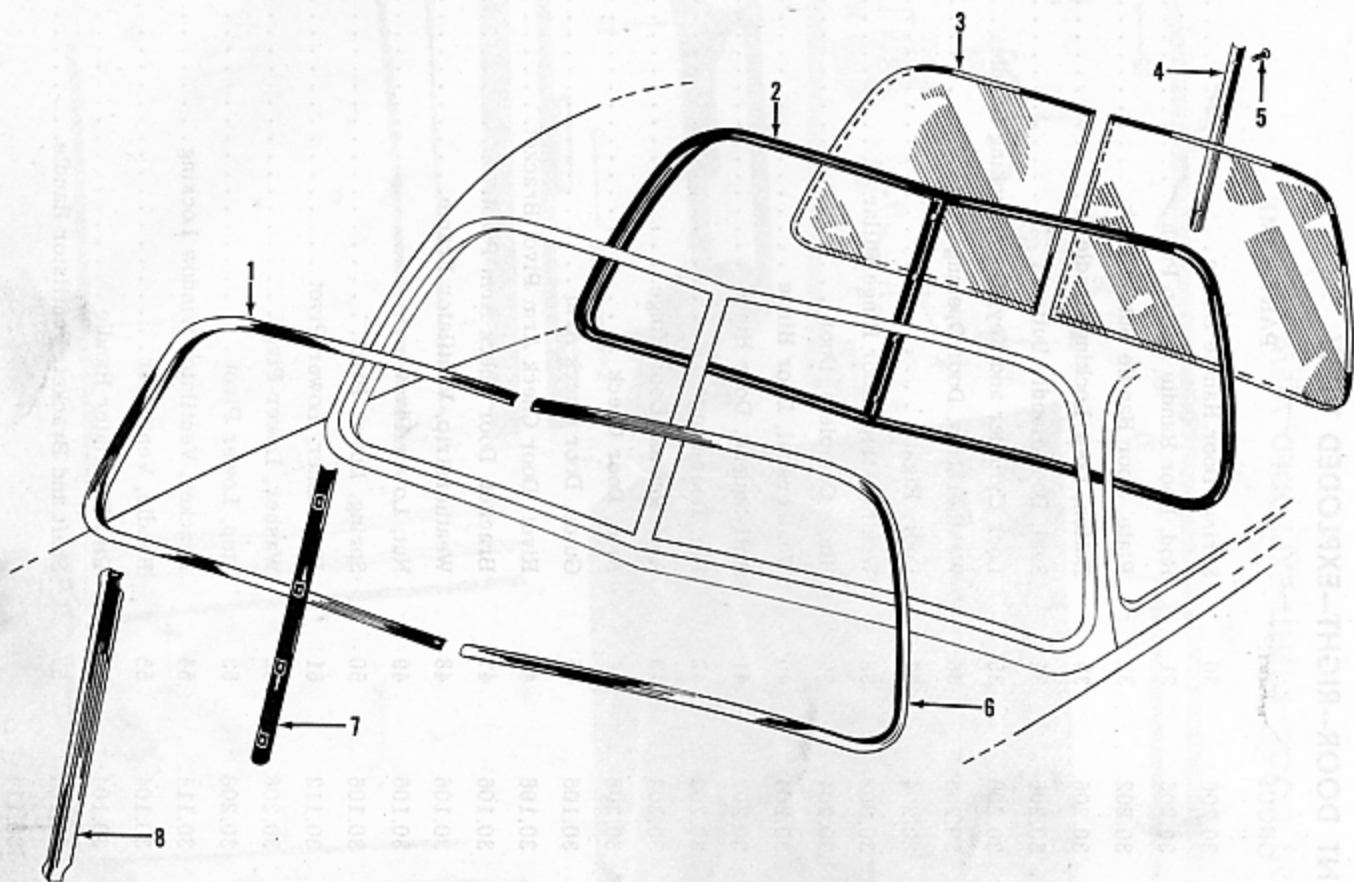


FIGURE 30-6—WINDSHIELD—EXPLODED VIEW

KEY	PART NAME	GROUP
1	Moulding, Windshield Reveal, Right	30.094
2	Weatherstrip, Windshield	30.302
3	Glass (not serviced)	
4	Bar, Windshield Division, Inner	30.306
5	Screw	30.306
6	Moulding, Windshield Reveal, Left	30.094
7	Retainer, Windshield Division Bar	30.306
8	Moulding, Windshield Division Bar	30.094

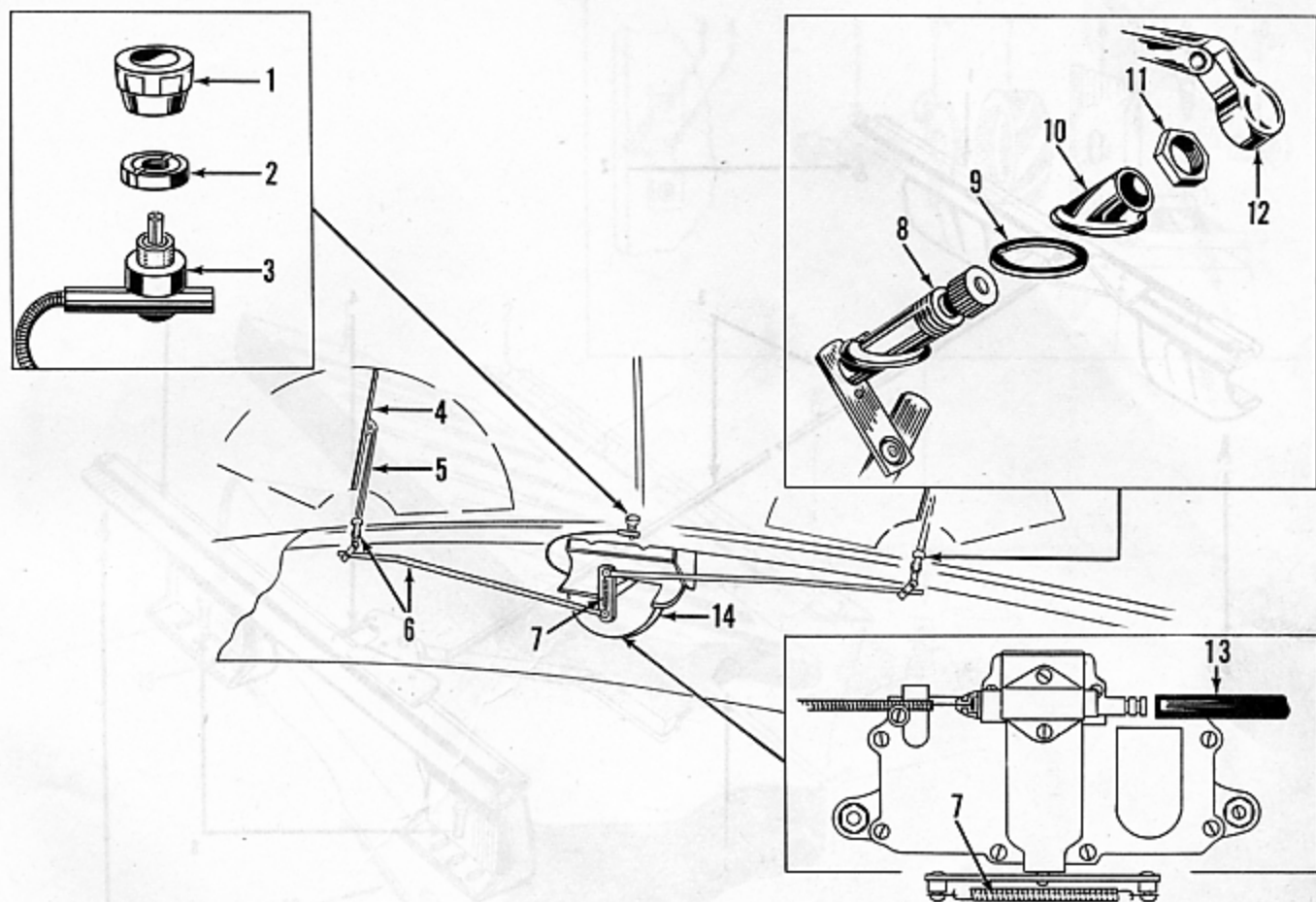


FIGURE 30-7—WINDSHIELD WIPER—EXPLODED VIEW

KEY	PART NAME	GROUP
1	Knob, Wiper Control	30.354
2	Nut, Wiper Control	30.354
3	Control, Wiper	30.354
4	Blade, Wiper	30.360
5	Arm, Wiper, Left	30.360
6	Pivot Assembly, Wiper Arm, Left	30.358
7	Retainer, Wiper Link	30.358
8	Pivot Assembly, Wiper Arm, Right	30.358
9	Gasket, Wiper Arm Pivot	30.358
10	Spacer, Wiper Arm Pivot	30.358
11	Nut, Wiper Arm Pivot Mounting	30.358
12	Arm, Wiper, Right.	30.360
13	Tube, Wiper	30.364
14	Motor, Wiper	30.352

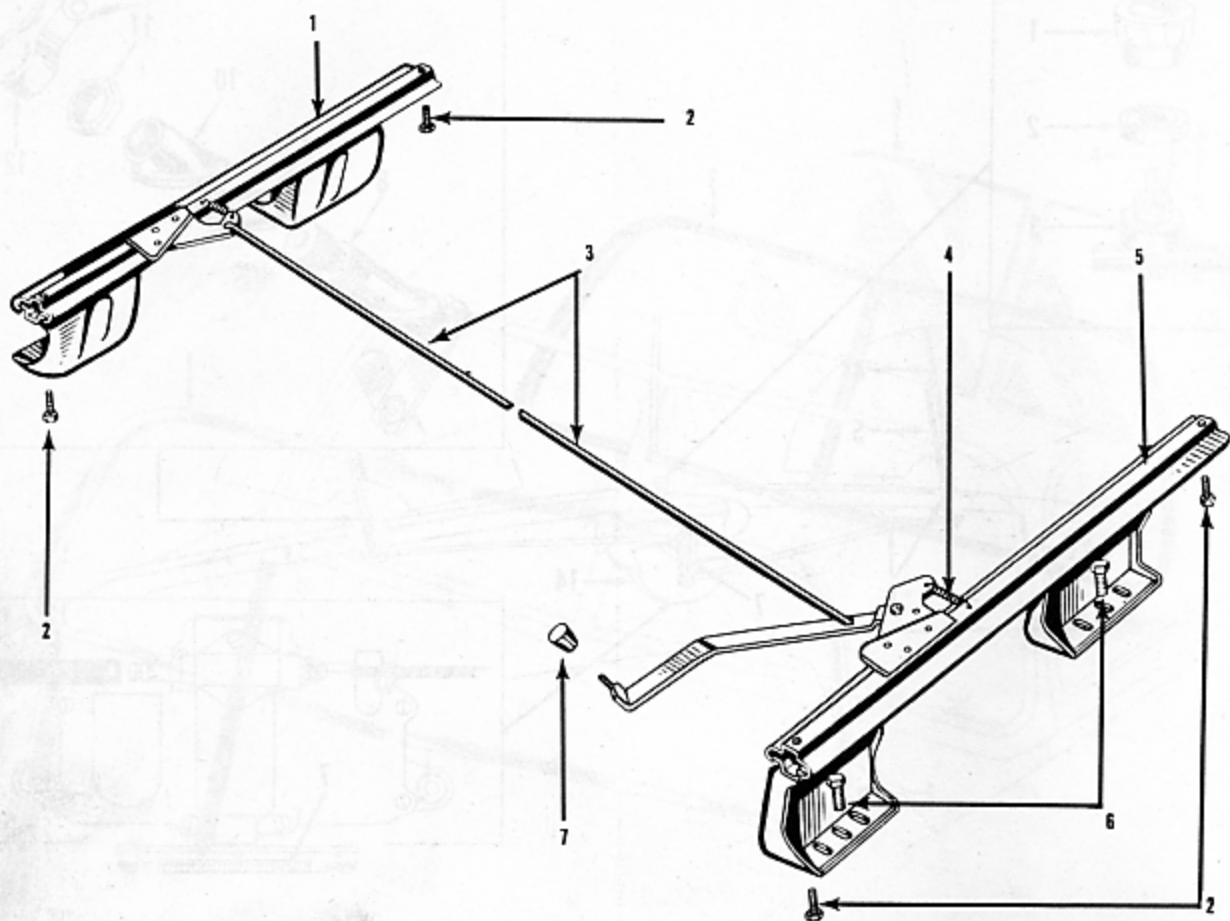


FIGURE 30-8—FRONT SEAT TRACK ADJUSTER

KEY	PART NAME	GROUP
1	Adjuster, Front Seat, Right	30.554
2	Bolt, Adjuster to Seat Cushion	30.554
3	Rod, Connecting	30.554
4	Spring, Adjuster Latch	30.554
5	Adjuster, Front Seat, Left	30.554
6	Bolt, Adjuster to Floor Pan	30.554
7	Knob, Operating Handle	30.554

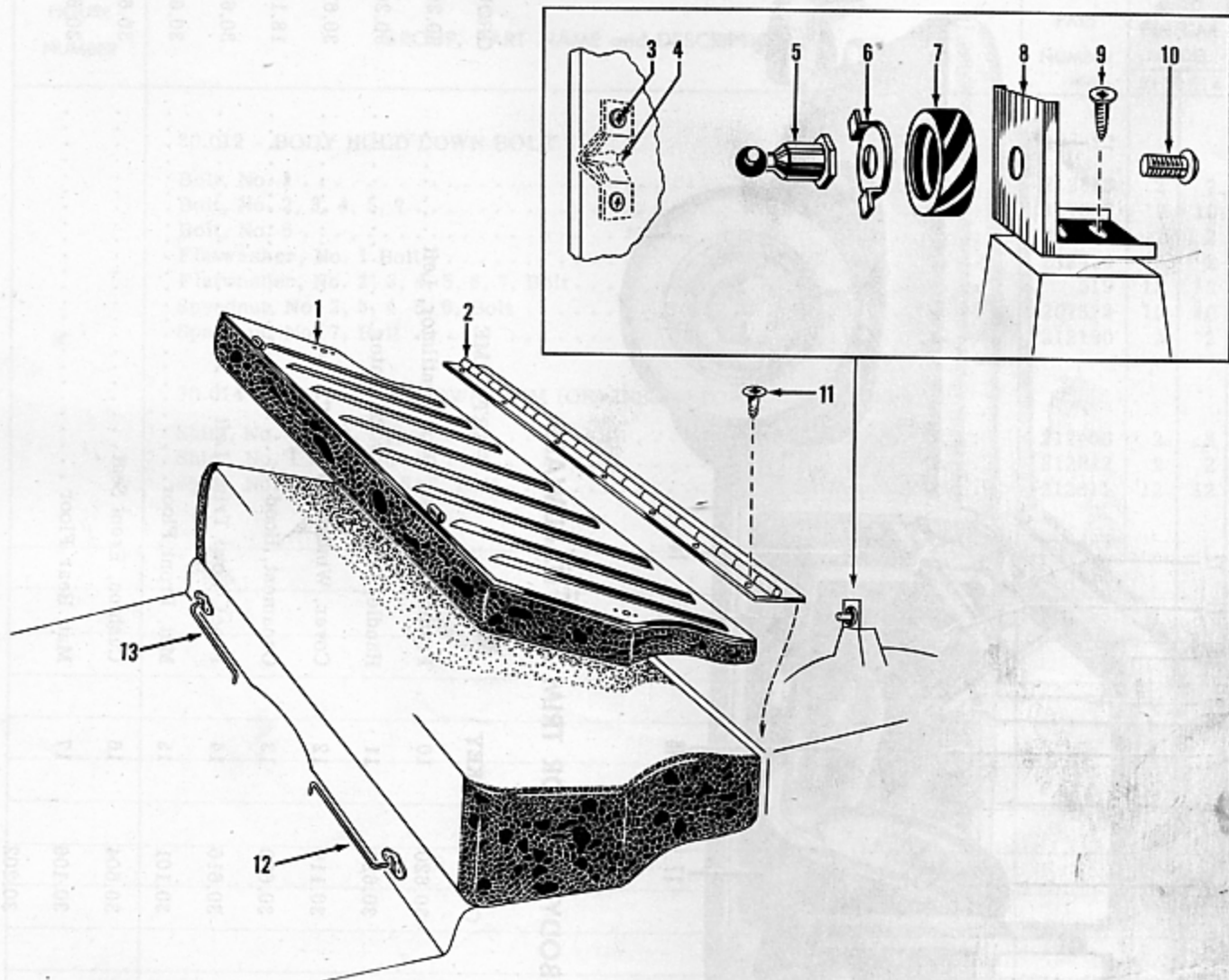


FIGURE 30-9—FOLDING SEAT—EXPLODED VIEW

KEY	PART NAME	GROUP
1	Panel, Rear Seat Back	30.560
2	Hinge, Rear Seat Back	30.560
3	Screw	30.560
4	Catch, Ball Stud	30.560
5	Ball Stud, Seat Back Stop	30.560
6	Retainer, Rear Seat Back Bumper	30.560
7	Bumper, Rear Seat Back	30.560
8	Bracket, Rear Seat Back Stop	30.560
9	Bolt	30.560
10	Screw	30.560
11	Bolt	30.560
12	Prop, Rear Seat Back, Left	30.560
13	Prop, Rear Seat Back, Right	30.560

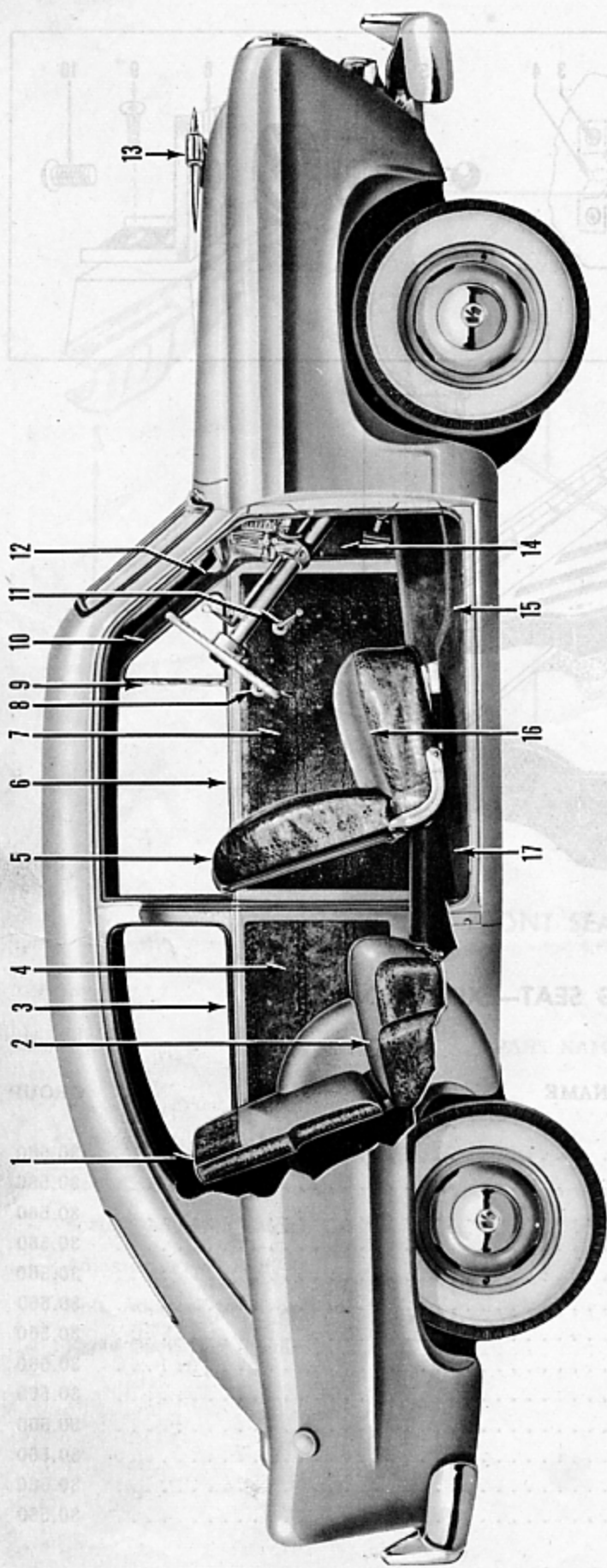


FIGURE 30-10—BODY INTERIOR TRIM AND HARDWARE

KEY	PART NAME	GROUP	KEY	PART NAME	GROUP
1	Cushion, Rear Back	30.620	10	Frame and Glass, Door Ventilator, Left	30.206
2	Cushion, Rear Seat	30.620	11	Handle, Door Window Regulator	30.208
3	Weatherstrip, Quarter Panel Glass.	30.119	12	Cover, Windshield Pillar	30.612
4	Panel, Rear Quarter Trim, Left.	30.610	13	Ornament, Hood	18.110
5	Cushion, Front Seat Back, Left	30.616	14	Panel, Cowl Trim, Left	30.602
6	Weatherstrip, Front Door Glass.	30.101	15	Mat, Front Floor.	30.630
7	Panel, Front Door Trim, Left	30.604	16	Cushion, Front Seat.	30.616
8	Handle, Door Remote Control	30.106	17	Mat, Rear Floor	30.630
9	Bar, Door Division.	30.202			

FIGURE NUMBER	GROUP, PART NAME and DESCRIPTION	PART NUMBER	USED PER CAR MODEL	
			513	514
	30.038 - DOOR HINGE PILLARS AND REINFORCEMENTS (PRIME)			
30-1-25	Plug, Front Pillar Drain Hole	205517	2	2
	Pillar, Rear Quarter Lock, Right	212183	1	1
	Pillar, Rear Quarter Lock, Left	212184	1	1
	30.040 - REAR QUARTER PANELS (PRIME)			
30-1-22	Panel, Right	212187	1	1
	Panel, Left	212188	1	1
30-1-23	Patch, Quarter Panel, Right. <i>Fender</i>	212858	1	1
	Patch, Quarter Panel, Left. <i>Fender</i>	212859	1	1
	Seal, Fuel Filler Neck	207214	1	1
30-1-21	Panel, Rear Quarter Inner, Right	213308	1	1
	Panel, Rear Quarter Inner, Left	213309	1	1
	30.041 - REAR FENDERS (PRIME)			
30-1-24	Fender, Right . . . <i>incl. Patch</i>	212931	1	1
	Fender, Left . . . <i>incl. Patch</i>	212930	1	1
	Bolt, 5/16"-12 x 3/4" Hx. Hd. Tap	445	18	18
	Lockwasher, 5/16" Med	300	18	18
	Nut	212191	18	18
	Bolt, 1/4"-20 x 3/4" Rd. Hd. Cr. Rec	621	10	10
	Lockwasher, 1/4" Med	190	10	10
	Flatwasher	212192	10	10
	Tie Rod, Fender, Front	212193	2	2
	Tie Rod, Fender, Rear	212194	2	2
	Brace, Fender, Front	212932	2	2
	Brace, Fender, Rear	212933	2	2
	Bolt, 1/4"-20 x 5/8" Hx. Hd.	257	2	2
	Lockwasher, 1/4" Int. Ext. Tooth	400	2	2
	Flatwasher, 1/4"-20 Hx. Lt.	243	2	2
	Nut, 1/4"-20 Hx. Lt.	203	2	2
	Bolt, 1/4"-20 x 5/8" Hx. Hd.	257	2	2
	Lockwasher, 1/4" Int. Ext. Tooth	400	2	2
	Flatwasher, 1/4" Sm	243	2	2
	Nut, 1/4"-20 Hx. Lt.	203	2	2
	Presstite Cord (to Quarter Panel) (80' Roll)	100117	*	*
	30.048 - REAR STONE DEFLECTOR (PRIME)			
	Deflector, Rear Stone	212455	1	1
	Screw	205680	14	14
	Speednut	212975	14	14
	Seal, Rear Stone Deflector (58 1/4" Long)	212454	1	1
	30.050 - BODY SHELLS (PRIME)			
	Shell	213086	1	
	Shell	213087		1
	Shell	213088	1	
	Shell	213089		1
	Shell	212197	1	
	Shell	212198		1
	Shell	213090	1	
	Shell	213091		1
	Shell	213092	1	
	Shell	213093		1

BODY PANELS

30.030

FIGURE NUMBER	GROUP, PART NAME and DESCRIPTION	PART NUMBER	USED PER CAR MODEL	
			513	514
	30.050 - BODY SHELLS (PRIME) (Cont'd)			
	Shell { less } { less Opening } { for Folding }	212199	1	
	Shell { Doors } { for Deck Lid } { Rear Seat }	212200		1
	30.052 - ROOF PANEL (PRIME)			
30-1-14	Panel (with Deck Lid Opening)	212201	1	1
	Panel (without Deck Lid Opening)	212202	1	1
30-1-20	Moulding, Roof Drip, Front, Right	212203	1	1
	Moulding, Roof Drip, Front, Left	212204	1	1
30-1-19	Moulding, Roof Drip, Rear, Right	212205	1	1
	Moulding, Roof Drip, Rear, Left	212206	1	1
30-1-15	Rail, Outer Roof, Right	212207	1	1
	Rail, Outer Roof, Left	212208	1	1
30-1-13	Rail, Inner Roof, Right	212209	1	1
	Rail, Inner Roof, Left	212210	1	1
	30.054 - COWL (OR) BODY FRONT END			
30-1-38	Cowl Complete	212211	1	1
	30.056 - ROCKER PANELS (PRIME)			
	Panel, Right	212212	1	1
30-1-31	Panel, Left	212213	1	1
	Screw (Rocker Panel to Floor Pan)	212214	18	18
	Presstite Cord (to Floor Pan) (80' Roll)	100117	*	*
	30.058 - REAR FLOOR PAN AND LOWER DECK PANEL			
30-1-29	Pan, Rear Floor	212215	1	1
	Well, Rear Floor Pan Tire	212216	1	1
	Plug, Tire Well Drain Hole	212217	1	1
	Plug, Floor Pan Drain Hole	212217	4	4

*As Required

FIGURE NUMBER	GROUP, PART NAME and DESCRIPTION	PART NUMBER	USED PER CAR MODEL	
			513	514
	30.062 - DECK LID AND WEATHERSTRIP			
30-2-1	Lid (less Handle and Lock) (Prime)	212218	1	1
30-2-13	Weatherstrip, Deck Lid Opening (108.88" Long)	212861	1	1
	30.064 - DECK LID HINGES AND PROP			
30-2-5	Hinge, Right	212222	1	1
30-2-15	Hinge, Left	212223	1	1
	Bolt, 5/16"-24 x 3/4" Hx. Hd. { Hinge }	224	4	4
	Lockwasher, 5/16" Int. Ext. Tooth { to Lid }	226	4	4
	Anti-Squeak, Hinge	212224	2	2
30-2-6	Prop, Deck Lid	207905	1	1
	Bolt, 1/4"-20 x 1/2" Hx. Hd. { Prop }	179	2	2
	Lockwasher, 1/4" Ext. Tooth { to Lid }	370	2	2
	Bolt { Prop }	208030	1	1
	Springwasher { to }	208031	1	1
	Lockwasher, 1/4" Med { Body }	190	1	1
	Nut, 1/4"-20 Hx. Lt	203	1	1
	30.068 - DECK LID HANDLE			
30-4-7	Lock Cylinder and Key	212705	1	1
	Flatwasher, 17/32" Sm.	222	1	1
	Cotter Pin, 3/32"	791	1	1
	Key, Cut, Code No. C.H. 501 to 750	203887	*	*
	Key, Blank, for Code No. C.H. 501 to 750	203882	*	*
	Cover, Lock Cylinder (Chrome)	212927	1	1
	Spring	212929	1	1
	Rivet (Split)	212928	1	1
	30.0702 - LICENSE LIGHT			
30-4-8	License Light (used with Deck Lid)	212228	1	1
	Screw, No. 10-24 x 7/8" Ov. Hd. Cr. Rec. (Chrome)	942	2	2
	Speednut	212317	2	2
	Stud, Mounting, Lower	212227	1	1
	Lockwasher, No. 10 Ext. Tooth	294	1	1
	Nut, No. 10-32 Hx	202	1	1
30-3-11	License Light (used without Deck Lid)	212225	1	1
30-3-5	Plate, Retainer	212226	1	1
30-3-2	Stud, Mounting	212227	2	2
30-3-6	Lockwasher, No. 10 Med.	254	2	2
30-3-7	Nut, No. 10-32 Hx	202	2	2
	Pad, Mounting (used with Deck Lid)	212230	1	1
30-3-10	Pad, Mounting (used without Deck Lid)	212229	1	1
30-4-6	Housing, License Light (used with Deck Lid)	212234	1	1
30-4-5	Lens, License Light (used with or without Deck Lid)	212232	1	1
30-4-4	Gasket, Lens (used with Deck Lid)	212233	1	1
30-3-4	Gasket, Lens (used without Deck Lid)	212678	1	1
30-4-2	Cable and Socket (used with Deck Lid)	212231	1	1
30-4-1	Screw, No. 8-32 x 1/4" Rd. Hd. Cr. Rec	357	2	2
	Lockwasher, No. 8 Ext. Tooth	447	2	2
30-3-9	Cable and Socket (used without Deck Lid)	212664	1	1
30-4-3	Bulb	201600	1	1

REAR COMPARTMENT (or) DECK LID, HINGES and PROP

30.060

FIGURE NUMBER	GROUP, PART NAME and DESCRIPTION	PART NUMBER	USED PER CAR MODEL	
			513	514
	30.074 - DECK LID LATCH AND STRIKER			
30-2-16	Latch, Deck Lid	213033	1	1
	Bolt, 1/4"-20 x 5/8" Rd. Hd. Cr. Rec	505	3	3
	Lockwasher, 1/4" Ext. Tooth	370	3	3
	Spacer, Deck Lid Latch	212236	1	1
30-2-12	Striker, Deck Lid Latch	212238	1	1
	Bolt, 1/4"-20 x 1/2" Rd. Hd. Cr. Rec	759	2	2
	Lockwasher, 1/4" Int. Ext. Tooth	400	2	2
	Flatwasher, 1/4" Sm	243	2	2
	Nut, 1/4"-20 Hx. Lt	203	2	2
	30.076 - DECK LID NAME PLATES			
	Plate, Name, "Henry J"	212239	1	1
	Nut, Name Plate	207115	3	3

BODY DOORS, LOCKS, HINGES, HANDLES and REMOTE CONTROLS

30.100

FIGURE NUMBER	GROUP, PART NAME and DESCRIPTION	PART NUMBER	USED PER CAR MODEL	
			513	514
	30.101 - FRONT DOOR GARNISH MOULDING AND WEATHERSTRIP			
30-10-6	Weatherstrip, Front Door Glass	212532	2	2
	30.102 - FRONT DOOR (PRIME)			
30-5-37	Door, Right	212248	1	1
30-1-26	Door, Left	212249	1	1
30-5-36	Weatherstrip, Door Opening, Right (136" Long)	212884	1	1
	Weatherstrip, Door Opening, Left (136" Long)	212883	1	1
30-5-38	Weatherstrip, Door Hinge Pillar	205431	2	2
	Weatherseal, Door Inner Panel	212251	2	2
	30.104 - FRONT DOOR LOCKS			
30-5-26	Lock, Right	212252	1	1
	Lock, Left	212253	1	1
	Screw with L/W	205252	4	4
30-5-28	Plate, Striker, Right (incl. Pin)	200578	1	1
	Plate, Striker, Left (incl. Pin)	200579	1	1
	Screw, Striker Plate	206303	4	4
	Lockwasher, Striker Plate	202234	4	4
30-5-27	Shim, Striker Plate	202251	*	*
	30.106 - FRONT DOOR LOCK REMOTE CONTROL AND HANDLES			
30-5-16	Control, Right	212254	1	1
	Control, Left	212255	1	1
	Screw, No. 12-24 x 7/16" Rd. Hd. Cr. Rec	684	6	6
	Lockwasher, No. 12 Ext. Tooth	741	6	6
30-5-18	Pad, Control to Door Inner Panel	212841	4	4
30-5-21	Handle, Remote Control	212256	2	2
30-5-20	Pin, Handle	202313	2	2
30-5-19	Escutcheon, Handle (Starlight Pearl)	212257	2	2
	Escutcheon, Handle (Pearl-Gray)	212837	2	2
30-5-17	Spring, Handle Escutcheon	212258	2	2
	30.108 - FRONT DOOR HINGES			
	Hinge Complete (with Center Hole 1 1/2" from Butt End)	212982	4	4
30-5-39	Hinge Complete, Right { with Center Hole }	213047	2	2
	Hinge Complete, Left { 2 1/8" from Butt End }	212983	2	2
	Bolt, 5/16"-24 x 3/4" Hx. Hd.	224	*	*
	Lockwasher, 5/16" Ext. Tooth	348	*	*
30-5-42	Pin, Door Hinge	212261	4	4
30-5-40	Weatherseal, Door Hinge	212262	4	4
30-5-43	Anti-Squeak, Hinge (1.88" Long)	212529	4	4
30-5-41	Anti-Squeak, Hinge (2.48" Long)	212876	4	4
	30.112 - FRONT DOOR CHECK ARM			
30-5-44	Arm, Door Check	204908	2	2
	Pin, 1/4" x 7/16"	201569	2	2
30-5-45	Guide, Door Check Arm	206021	2	2
	Screw, No. 10-32 x 3/8" Rd. Hd. Cr. Rec	577	4	4
	Lockwasher, No. 10 Int. Tooth	259	4	4
	Nut, No. 10-32 Hx	202	4	4
30-5-47	Bracket, Door Check Arm Pivot	207946	2	2

*As Required

FIGURE NUMBER	GROUP, PART NAME and DESCRIPTION	PART NUMBER	USED PER CAR MODEL	
			513	514
	30.201 - DOOR: VENTILATOR AND QUARTER PANEL GLASS			
	HOW TO ORDER GLASS			
	Only curved glass is carried in stock. When replacement of glass not stocked is necessary, requirements should be procured from the stores or warehouses of Libbey-Owens-Ford Glass Company, the Pittsburg Plate Glass Company or the W. P. Fuller Company. If the above glass companies do not have a local representative, you should order your glass requirements through your Car Distributor.			
	The glass manufacturers have been furnished with all pertinent information, therefore, when placing orders for glass always furnish the correct part number and the type of car for which the glass is required.			
	The above applies to glass only and not assemblies which may include a frame or a channel. Such parts must be ordered from your Car Distributor or the Kaiser-Frazer Sales Corporation, Willow Run, Michigan.			
	30.202 - FRONT DOOR GLASS FRAME AND CHANNELS			
30-1-27	Frame, Door Window, Right (Prime) { for Stationary }	212924	1	1
	Frame, Door Window, Left (Prime) { Vent. Window Section }	212923	1	1
	Bolt, 1/4"-20 x 3/8" Rd. Hd. Cr. Rec { Channel to }	474	2	2
	Lockwasher, 1/4" Int. Ext. Tooth { Door Upper }	400	2	2
	Bolt, 1/4"-20 x 1/2" Hx. Hd. { Channel to }	179	8	8
	Lockwasher, 1/4" Int. Ext. Tooth { Door }	400	8	8
	Retainer, Channel to Door Nut	212302	3	3
30-10-9	Bar, Door Division, Right	212481	1	1
	Bar, Door Division, Left	212482	1	1
	Screw, No. 10-24 x 3/8" Rd. Hd. Cr. Rec.	984	2	2
	Screw, No. 10-32 x 5/16" Hx. Hd. Pl. { Division }	963	4	4
	Lockwasher, No. 10 Ext. Tooth { Bar to }	294	4	4
	Nut, No. 10-32 Hx. { Support }	202	4	4
	Stud, Division Bar Adjusting	207188	2	2
	Flatwasher, 1/4" Med.	243	2	2
	Lockwasher, 1/4" Med.	190	2	2
	Nut, 1/4"-28 Hx.	261	2	2
	Run, Division Bar	212306	2	2
	Rivet	208141	4	4
	Weatherstrip, Division Bar, Front	212483	2	2
30-5-3	Channel, Door Glass, Front	212476	2	2
30-5-9	Channel, Door Glass, Rear	212477	2	2
30-5-13	Channel, Door Glass Lifter, Lower, Right	212303	1	1
	Channel, Door Glass Lifter, Lower, Left	212304	1	1
30-5-14	Clip, Channel to Regulator (Flat Type)	206655	4	4
	Clip, Channel to Regulator (Hair Pin Type)	200711	4	4
	Flatwasher, Channel to Regulator	200710	4	4
30-5-12	Weatherstrip, Lower Channel (25" Long) 212807	212305	2	2
	30.204 - FRONT WINDOW GLASS RUN: RETAINERS AND WEATHERSTRIP			
30-5-10	Run, Door Window Glass, Upper	212478	2	2
30-5-8	Run, Door Window Glass, Rear	212307	2	2
30-5-11	Weatherstrip (incl. Fastener) Door Glass	212308	4	4
	Fastener, Weatherstrip	212309	*	*

*As Required

FIGURE NUMBER	GROUP, PART NAME and DESCRIPTION	PART NUMBER	USED PER CAR MODEL	
			513	514
	30.206 - FRONT DOOR VENTILATOR; FRAME AND GLASS			
30-5-4	Frame and Ventilator Complete, Right. { with Movable Vent. }	212300	1	1
	Frame and Ventilator Complete, Left { Window Section }	212301	1	1
30-5-2	Frame and Glass, Right	212922	1	1
30-10-10	Frame and Glass, Left	212921	1	1
30-5-48	Weatherstrip, Ventilator Frame, Right	212479	1	1
	Weatherstrip, Ventilator Frame, Left	212480	1	1
	Seal, Ventilator Window Glass (Medium)	208622	2	2
30-5-6	Bar, Ventilator Division, Right.	212920	1	1
	Bar, Ventilator Division, Left	212919	1	1
	Screw, No. 10-24 x 3/8" Rd. Hd. Cr. Rec. Tap. (to Frame)	984	2	2
	Screw, No. 10-32 x 5/16" Hx. Hd. { Division }	963	4	4
	Lockwasher, No. 10 Ext. Tooth. { Bar to }	294	4	4
	Nut, No. 10-32 Hx { Support }	202	4	4
30-5-7	Run, Division Bar	212306	2	2
	Rivet	208141	4	4
30-5-5	Weatherstrip, Ventilator Division Bar	212484	2	2
	Rivet	208139	8	8
30-5-1	Bracket, Upper Pivot, Right (Chrome)	208144	1	1
	Bracket, Upper Pivot, Left (Chrome)	208145	1	1
	Pivot, Ventilator Upper, Right	212485	1	1
	Pivot, Ventilator Upper, Left	212486	1	1
	Screw, No. 10-32 x 5/16" Rd. Hd. Sl { to Glass }	266	2	2
	Lockwasher, No. 10 Ext. Tooth. { Frame }	294	2	2
	Pivot, Lower, Right	212488	1	1
	Pivot, Lower, Left	212489	1	1
30-5-52	Washer, Lower Pivot	208152	2	2
30-5-53	Stop, Lower Pivot	200755	4	4
30-5-51	Flatwasher, Lower Pivot.	208154	4	4
30-5-50	Spring, Lower Pivot.	208155	2	2
30-5-49	Nut, Lower Pivot.	208619	2	2
30-5-55	Handle, Right	212490	1	1
	Handle, Left	212491	1	1
30-5-56	Pin, Ventilator Handle	200761	2	2
30-5-57	Shaft and Bracket, Ventilator Handle	212492	2	2
30-5-54	Bracket, Ventilator Window Locking	212493	2	2
	Rivet	203016	4	4
	30.208 - FRONT DOOR WINDOW REGULATOR			
30-5-15	Regulator, Door, Right	212310	1	1
	Regulator, Door, Left	212311	1	1
	Screw, No. 12-24 x 7/16" Rd. Hd. Cr. Rec	684	4	4
	Lockwasher, No. 12 Ext. Tooth.	741	4	4
30-5-24	Handle, Regulator	212312	2	2
	Escutcheon, Handle (Starlight Pearl)	212257	2	2
	Escutcheon, Handle (Pearl Gray) <i>use # 212257</i>	212837	2	2
30-5-23	Pin, Handle.	202313	2	2

FIGURE NUMBER	GROUP, PART NAME and DESCRIPTION	PART NUMBER	USED PER CAR MODEL	
			513	514
	30.352 - WINDSHIELD WIPER MOTOR			
30-7-14	Motor	212145	1	1
	Screw, No. 10-32 x 5/8" Rd. Hd. Cr. Rec.	688	2	2
	Lockwasher, No. 10 Int. Tooth	259	2	2
	30.354 - WINDSHIELD WIPER CONTROLS			
30-7-3	Control (incl. Cable)	212146	1	1
	Lockwasher, 7/16" Int. Tooth	305	1	1
30-7-2	Nut, 7/16"-28	212147	1	1
30-7-1	Knob	212148	1	1
	30.358 - WINDSHIELD WIPER ARM DRIVE BODY (PIVOT)			
30-7-8	Pivot, Right (incl. Connector Arm)	212149	1	1
30-7-6	Pivot, Left (incl. Connector Arm)	212150	1	1
30-7-10	Spacer	212151	2	2
30-7-11	Nut, 5/8"-24	200737	2	2
30-7-9	Gasket, Pivot	212152	2	2
30-7-7	Retainer, Wiper Link	208331	1	1
	30.360 - WINDSHIELD WIPER ARM AND BLADES			
30-7-12	Arm, Right	212153	1	1
30-7-5	Arm, Left	212154	1	1
30-7-4	Blade, Wiper	212155	2	2
	30.364 - VACUUM PUMP TUBES			
3-5-15	Tube, Pump to Windshield Wiper (use with 212611 Pump)	212542		1
3-5-4	Tube, Pump to Windshield Wiper (use with 212737 Pump)	212156	1	
	Tube, Manifold to Windshield Wiper (use with 212377 Pump)	212157		1
	Tube, Manifold to Windshield Wiper (use with 212376 Pump)	212158	1	
30-7-13	Tube, Windshield Wiper (Rubber)	212536	1	1
	Clip, Pump Tube to Manifold Tube Retainer	212709	2	2
	Bolt, 1/4"-20 x 1/2" Rd. Hd. Cr. Rec	759	1	1
	Lockwasher, 1/4" Ext. Tooth	370	1	1
	Flatwasher, 1/4"	243	1	1
	Nut, 1/4"-20 Hx.	203	1	1
	Connector, Pump to Wiper Tube	202125	1	1
3-5-3	Connector, Manifold to Wiper Tube	202123	1	1

REAR WINDOW

FIGURE NUMBER	GROUP, PART NAME and DESCRIPTION	PART NUMBER	USED PER CAR MODEL	
			513	514
	<p>30.501 - REAR WINDOW GLASS</p> <p>HOW TO ORDER GLASS</p> <p>Only curved glass is carried in stock. When replacement of glass not stocked is necessary, requirements should be procured from the stores or warehouses of Libbey-Owens-Ford Glass Company, the Pittsburg Plate Glass Company or the W. P. Fuller Company. If the above glass companies do not have a local representative, you should order your glass requirements through your Car Distributor.</p> <p>The glass manufacturers have been furnished with all pertinent information, therefore, when placing orders for glass always furnish the correct part number and the type of car for which the glass is required.</p> <p>The above applies to glass only and not assemblies which may include a frame or a channel. Such parts must be ordered from your Car Distributor or the Kaiser-Frazer Sales Corporation, Willow Run, Michigan.</p> <p>Glass. 212164 1 1</p> <p>30.502 - REAR WINDOW GLASS WEATHERSTRIP</p> <p>Weatherstrip. 212165 1</p> <p>Weatherstrip. 212166 1</p>			

SEAT FRAME and CONTROLS

30.550

FIGURE NUMBER	GROUP, PART NAME and DESCRIPTION	PART NUMBER	USED PER CAR MODEL	
			513	514
	30.552 - FRONT SEAT FRAME			
	NOTE: SEE Group 30.616 Seat Cushion Complete includes Lower Seat Frame. Seat Back Cushion Complete includes Upper Seat Frame.			
	30.554 - FRONT SEAT ADJUSTER GUIDES			
30-8-1	Adjuster, Front Seat, Right	212167	1	1
30-8-5	Adjuster, Front Seat, Left	212168	1	1
30-8-2	Bolt, 5/16"-18 x 3/4" Tr. Hd. Cr. Rec	693	4	4
	Lockwasher, 5/16" Med	240	4	4
	Nut, 5/16"-18	212744	4	4
30-8-6	Bolt, 5/16"-24 x 7/8" Hx. Hd.	270	4	4
	Lockwasher, 5/16" Ext. Tooth	348	4	4
30-8-7	Knob, Operating Handle	202305	1	1
30-8-3	Rod, Connecting	212170	1	1
30-8-4	Spring, Adjuster Latch	208409	2	2
	30.560 - REAR SEAT FRAME			
	NOTE: The following parts are used on cars with Folding Rear Seat.			
30-9-1	Panel, Rear Back (Prime)	212171	1	1
30-9-11	Bolt, 1/4"-20 x 1/2" Hx. Hd.	759	6	6
	Lockwasher, 1/4" Ext. Tooth	370	6	6
30-9-4	Catch, Ball Stud	212822	2	2
30-9-3	Screw, No. 8-15 x 3/8" Rd. Hd. Cr. Rec. Tap	576	4	4
30-9-8	Bracket, Rear Back Adjusting Stop (Prime)	212172	2	2
30-9-9	Bolt, 1/4"-20 x 1/2" Hx. Hd.	759	4	4
	Lockwasher, 1/4" Ext. Tooth	370	4	4
30-9-7	Bumper, Rear Seat Back	212133	2	2
30-9-6	Retainer, Rear Seat Back Bumper	212132	2	2
30-9-5	Ball Stud, Rear Seat Back	212134	2	2
30-9-10	Screw, Ball Stud to Bracket	212135	2	2
30-9-2	Hinge, Rear Seat Back	212700	1	1
30-9-13	Prop, Rear Seat Back, Right	212173	1	1
30-9-12	Prop, Rear Seat Back, Left	212174	1	1
	Bolt, 5/16"-24 x 5/8" Hx. Hd.	274	4	4
	Lockwasher, 5/16" Med	240	4	4
	Spring, Rear Seat Back Prop, Right	212976	1	1
	Spring, Rear Seat Back Prop, Left	212977	1	1
	Rivet, Rear Seat Back Prop Spring	212177	2	2
	Support, Rear Seat Back Prop (on Floor Pan) (Prime)	212701	2	2
	<i>Bracket, Rear Seat Back Stop, Right</i>	<i>213739</i>	<i>1</i>	<i>1</i>
	<i>Bracket, Rear Seat Back Stop, Left</i>	<i>213740</i>	<i>1</i>	<i>1</i>

FIGURE NUMBER	GROUP, PART NAME and DESCRIPTION	PART NUMBER	USED PER CAR MODEL	
			513	514
	<p>30.600 - INTERIOR TRIM</p> <p style="text-align: center;">ORDERING TRIM MATERIAL</p> <p>When ordering Trim material be sure to furnish the car serial number, trim code and sample or samples of the trim. Trim material is available in yardage or complete Trim Assemblies.</p> <p>In many cases it is or back. When orderin also which dimension th</p> <p>Material will be furnished the entire width of lineal yard in length.</p> <p>Example: One piece material 12" x 17" to be cut with stripe or nap running the 12" way. Should the material weave run the 12" way or length of bolt, you will receive a piece of material 12" long. Its width will be determined by the width of the bolt.</p>			
	<p>30.602 - COWL TRIM PANELS</p> <p>Panel, Right { Embossed Cardboard } 210750 1 1 Panel, Left { Embossed Cardboard } 210751 1 1 Panel, Right { Vinylite } 210980 1 1 Panel, Left { Vinylite } 210981 1 1 Panel, Right { Dragon Vinylite } 211018 1 1 Panel, Left { Dragon Vinylite } 211019 1 1 Screw with L/W 203872 14 14</p>			
30-10-14				
	<p>30.604 - FRONT DOOR TRIM PANELS</p> <p>Panel, Right { incl. Fasteners } { Vinylite - Plain } 210752 1 1 Panel, Left { incl. Fasteners } { Vinylite - Plain } 210753 1 1 Panel, Right { incl. Moulding and Fasteners } { Cloth } 210982 1 1 Panel, Left { incl. Moulding and Fasteners } { Cloth } 210983 1 1 Panel, Right { incl. Moulding and Fasteners } { Dragon Vinylite - Pleated } 211020 1 1 Panel, Left { incl. Moulding and Fasteners } { Dragon Vinylite - Pleated } 211021 1 1 Panel, Right { Vinylite - Pleated } 211107 1 1 Panel, Left { Vinylite - Pleated } 211108 1 1 Fastener 202301 * * Moulding, Door Panel 213028 2 2 Weathercord, Door Opening (Cloth) 210636 2 2 Weathercord, Door Opening (Vinylite) 210713 2 2 Weathercord, Door Opening (Dragon Vinylite) 211017 2 2</p>			
30-10-7				
	<p>30.610 - REAR QUARTER TRIM PANELS</p> <p>Panel, Upper, Right { Vinylite - Plain } 210756 Panel, Upper, Left { Vinylite - Plain } 210757 1 1 Panel, Lower, Right { Vinylite - Plain } 210758 1 1 Panel, Lower, Left { Vinylite - Plain } 210759 1 1</p>			
30-10-4				

INTERIOR TRIM

30.600

FIGURE NUMBER	GROUP, PART NAME and DESCRIPTION	PART NUMBER	USED PER CAR MODEL	
			513	514
	30.610 - REAR QUARTER TRIM PANELS (Cont'd)			
	Panel, Lower, Right { Cloth }	210984	1	1
	Panel, Lower, Left { Cloth }	210985	1	1
	Panel, Lower, Right { Dragon Vinylite - Pleated }	211022	1	1
	Panel, Lower, Left { Dragon Vinylite - Pleated }	211023	1	1
	Panel, Lower, Right { Vinylite - Pleated }	211109	1	1
	Panel, Lower, Left { Vinylite - Pleated }	211110	1	1
	Fastener	202301	10	10
	30.611 - REAR COMPARTMENT TRIM PANELS AND MATS			
	NOTE: The following Panels used with Burtex Trim.			
	Panel, Wheelhouse, Right	211129	1	1
	Panel, Wheelhouse, Left	211130	1	1
	Panel, Side, Rear, Right	211131	1	1
	Panel, Side, Rear, Left	211132	1	1
	NOTE: The following Panels used with Cardboard Trim.			
	Panel, Center (used less Deck Lid)	210986	1	1
	Panel, Deck Lid Trim	210987	1	1
	Panel, Wheelhouse Rear Trim, Side, Right	210988	1	1
	Panel, Wheelhouse Rear Trim, Side, Left	210989	1	1
	Cover, Wheelhouse Front Trim, Right	210990	1	1
	Cover, Wheelhouse Front Trim, Left	210991	1	1
	Panel, Side, Rear, Right { used with Deck Lid and Folding Seat Back }	210992	1	1
	Panel, Side, Rear, Left { used with Deck Lid and Folding Seat Back }	210993	1	1
	Fastener	202452	*	*
30-2-10	Mat, Floor (used with Stationary Seat Back)	210994	1	1
	NOTE: The following Mats used with Folding Seat Back.			
	Mat, Floor (Cardinal)	210995	1	1
	Mat, Floor (Hickory Brown)	210996	1	1
	Mat, Floor (Blue Velvet)	210997	1	1
	Mat, Floor (London Green)	210998	1	1
	Mat, Floor (Natural Gray)	211067	1	1
	Windbreak (used with Stationary Seat Back)	212926	1	1
	Fastener	212863	9	9
	30.612 - HEADLINING, BOWS AND COVERS			
	Headlining { (Cloth) } { used with Folding Seat Back }	210760	1	1
	Headlining { less Bows } { (Vinylite) } { used with Folding Seat Back }	210904	1	1
	Headlining { (Cloth) } { used with Stationary Seat Back }	210903	1	1
	Headlining { (Vinylite) } { used with Stationary Seat Back }	211024	1	1
	Bow, Roof Top, No. 1	212109	1	1
	Bow, Roof Top, No. 2	212110	1	1
	Bow, Roof Top, No. 3	212111	1	1
	Bow, Roof Top, No. 4 and 5 (Six Bow Headlining)	212112	2	2
	Bow, Roof Top, No. 5 (Five Bow Headlining)	212113	1	1
	Bow, Roof Top, No. 6	212113	1	1
	Clip, Bow Retainer	212538	12	12
	Binding, Wire-On Door Opening (Cloth)	210858	2	2
	Binding, Wire-On Door Opening (Vinylite)	211103	2	2

INTERIOR TRIM

FIGURE NUMBER	GROUP, PART NAME and DESCRIPTION	PART NUMBER	USED PER CAR MODEL	
			513	514
	30.612 - HEADLINING, BOWS AND COVERS (Cont'd)			
30-10-12	Binding, Wire-On Door Opening (Dragon Vinylite)	211104	2	2
	Binding, Wire-On Deck Opening (Cloth)	210999	1	1
	Binding, Wire-On Deck Opening (Vinylite)	211105	1	1
	Binding, Wire-On Deck Opening (Dragon Vinylite)	211106	1	1
	Cover, Windshield Pillar (Cloth)	210864	2	2
	Cover, Windshield Pillar (Vinylite)	211025	2	2
	30.614 - DOOR ARM REST			
30-10-12	Arm Rest (Cloth)	210017	2	2
	Arm Rest (Vinylite)	210719	2	2
	Arm Rest (Dragon Vinylite)	210956	2	2
	Screw { Arm Rest to Inner Panel }	212693	4	4
	Nut { Arm Rest to Inner Panel }	212694	4	4
	30.616 - FRONT SEAT CUSHIONS AND SEAT BACK			
30-10-16	Cushion Complete, Seat (Fibre Matting)	210762	1	
	Cushion Complete, Seat (Plastic and Vinylite)	210763	1	1
	Cushion Complete, Seat (Volta and Vinylite)	210764		1
	Cushion Complete, Seat (Vinylite) (Plain)	210905	1	1
	Cushion Complete, Seat (Stockholm, Beaumont and Richmond)	211000	1	1
	Cushion Complete, Seat (Tweed, Corundle Cord or Bedford)	211026	1	1
	Cushion Complete, Seat (Dragon Vinylite) (Pleated)	211027	1	1
	Cushion Complete, Seat (Vinylite) (Pleated)	211111	1	1
	Cover, Seat Cushion (Fibre Matting)	210765	1	
	Cover, Seat Cushion (Plastic and Vinylite)	210766	1	1
	Cover, Seat Cushion (Volta and Vinylite)	210767		1
	Cover, Seat Cushion (Vinylite) (Plain)	210906	1	1
30-10-5	Cover, Seat Cushion (Stockholm, Beaumont and Richmond)	211001	1	1
	Cover, Seat Cushion (Tweed, Corundle Cord or Bedford)	211028	1	1
	Cover, Seat Cushion (Dragon Vinylite) (Pleated)	211029	1	1
	Cover, Seat Cushion (Vinylite) (Pleated)	211112	1	1
	Cushion Complete, Seat Back, Right { Fibre Matting }	210768	1	
	Cushion Complete, Seat Back, Left { Fibre Matting }	210769	1	
	Cushion Complete, Seat Back, Right { Plastic and Vinylite }	210770	1	1
	Cushion Complete, Seat Back, Left { Plastic and Vinylite }	210771	1	1
	Cushion Complete, Seat Back, Right { Volta and Vinylite }	210772		1
	Cushion Complete, Seat Back, Left { Volta and Vinylite }	210773		1
	Cushion Complete, Seat Back, Right { Vinylite - Plain }	210907	1	1
	Cushion Complete, Seat Back, Left { Vinylite - Plain }	210908	1	1
	Cushion Complete, Seat Back, Right { Stockholm, Beaumont and Richmond }	211002	1	1
	Cushion Complete, Seat Back, Left { Stockholm, Beaumont and Richmond }	211003	1	1
	Cushion Complete, Seat Back, Right { Tweed, Corundle Cord or Bedford }	211030	1	1
	Cushion Complete, Seat Back, Left { Tweed, Corundle Cord or Bedford }	211031	1	1
	Cushion Complete, Seat Back, Right { Dragon Vinylite - Pleated }	211032	1	1
	Cushion Complete, Seat Back, Left { Dragon Vinylite - Pleated }	211033	1	1
	Cushion Complete, Seat Back, Right { Vinylite - Pleated }	211113	1	1
	Cushion Complete, Seat Back, Left { Vinylite - Pleated }	211114	1	1
Cover, Seat Back Cushion, Right { Fibre Matting }	210774	1		
Cover, Seat Back Cushion, Left { Fibre Matting }	210775	1	1	
Cover, Seat Back Cushion, Right { Plastic and Vinylite }	210776	1	1	
Cover, Seat Back Cushion, Left { Plastic and Vinylite }	210777	1	1	
Cover, Seat Back Cushion, Right { Volta and Vinylite }	210778		1	
Cover, Seat Back Cushion, Left { Volta and Vinylite }	210779		1	

INTERIOR TRIM

30.600

FIGURE NUMBER	GROUP, PART NAME and DESCRIPTION	PART NUMBER	USED PER CAR MODEL	
			513	514
			30.616 - FRONT SEAT CUSHIONS AND SEAT BACK (Cont'd)	
	Cover, Seat Back Cushion, Right { Vinylite - Plain }	210909	1	1
	Cover, Seat Back Cushion, Left { Vinylite - Plain }	210910	1	1
	Cover, Seat Back Cushion, Right { Stockholm, Tweed, Beaumont, }	211004	1	1
	Cover, Seat Back Cushion, Left { Corundle Cord and Richmond }	211005	1	1
	Cover, Seat Back Cushion, Right { Dragon Vinylite - Pleated }	211034	1	1
	Cover, Seat Back Cushion, Left { Dragon Vinylite - Pleated }	211035	1	1
	Cover, Seat Back Cushion, Right { Vinylite - Pleated }	211115	1	1
	Cover, Seat Back Cushion, Left { Vinylite - Pleated }	211116	1	1
	Cover, Seat Back Side Panel, Right { Cloth }	211006	1	1
	Cover, Seat Back Side Panel, Left { Cloth }	211007	1	1
	Cover, Seat Back Side Panel, Right { Vinylite }	211117	1	1
	Cover, Seat Back Side Panel, Left { Vinylite }	211118	1	1
	Cover, Seat Back Side Panel, Right { Dragon Vinylite }	211036	1	1
	Cover, Seat Back Side Panel, Left { Dragon Vinylite }	211037	1	1
	Plate, Seat Back Stop	213101	2	2
	Screw, No. 8-15 x 1/2" Fl. Hd. Cr. Rec. Tap	775	2	2
	Bolt, Seat Back Stop Adjusting	212114	2	2
	Washer, Seat Back to Cushion Side Hinge (Fibre)	212115	2	2
	Washer, Seat Back to Cushion Side Hinge	247	4	4
	Washer, Seat Back to Cushion Center Hinge	212116	2	2
	Cotter Pin, 3/32" Dia.	791	4	4
30.620 - REAR SEAT CUSHION AND SEAT BACK				
NOTE: The following parts used with Folding Seat Back.				
	Cushion Complete, Seat (Fibre Matting)	210780	1	
	Cushion Complete, Seat (Plastic and Vinylite)	210781	1	1
30-10-2	Cushion Complete, Seat (Volta and Vinylite)	210782		1
	Cushion Complete, Seat (Vinylite) (Plain)	210911	1	1
	Cushion Complete, Seat (Stockholm, Beaumont and Richmond)	211008	1	1
	Cushion Complete, Seat (Tweed, Corundle Cord or Bedford)	211038	1	1
	Cushion Complete, Seat (Dragon Vinylite) (Pleated)	211039	1	1
	Cushion Complete, Seat (Vinylite) (Pleated)	211123	1	1
	Cover, Seat Cushion (Fibre Matting)	210783	1	
	Cover, Seat Cushion (Plastic and Vinylite)	210784	1	1
	Cover, Seat Cushion (Vinylite) (Plain)	210912	1	1
	Cover, Seat Cushion (Stockholm, Beaumont and Richmond)	211009	1	1
	Cover, Seat Cushion (Tweed, Corundle Cord or Bedford)	211040	1	1
	Cover, Seat Cushion (Dragon Vinylite) (Pleated)	211041	1	1
	Cover, Seat Cushion (Vinylite) (Pleated)	211124	1	1
	Cover, Seat Cushion (Volta and Vinylite)	210785		1
NOTE: The following parts used with Stationary Seat Back.				
	Cushion Complete, Seat (Plastic and Vinylite)	211137		1
	Cushion Complete, Seat (Stockholm, Beaumont and Richmond)	211010	1	1
	Cushion Complete, Seat (Dragon Vinylite) (Pleated)	211048	1	1
	Cushion Complete, Seat (Vinylite) (Pleated)	211119	1	1
	Cover, Seat Cushion (Stockholm, Beaumont and Richmond)	211011	1	1
	Cover, Seat Cushion (Dragon Vinylite) (Pleated)	211043	1	1
	Cover, Seat Cushion (Vinylite) (Pleated)	211120	1	1
	Cover, Seat Cushion (Plastic and Vinylite)	211138	1	1
NOTE: The following parts used with Folding Seat Back.				
	Cushion Complete, Seat Back (Fibre Matting)	210786	1	
30-10-1	Cushion Complete, Seat Back (Plastic and Vinylite)	210787	1	1
	Cushion Complete, Seat Back (Volta and Vinylite)	210788		1

INTERIOR TRIM

FIGURE NUMBER	GROUP, PART NAME and DESCRIPTION	PART NUMBER	USED PER CAR MODEL	
			513	514
	30.620 - REAR SEAT CUSHION AND SEAT BACK (Cont'd)			
	Cushion Complete, Seat Back (Vinylite) (Plain)	210913	1	1
	Cushion Complete, Seat Back (Stockholm, Beaumont and Richmond)	211012	1	1
	Cushion Complete, Seat Back (Tweed, Corundle Cord or Bedford)	211044	1	1
	Cushion Complete, Seat Back (Dragon Vinylite) (Pleated)	211045	1	1
	Cushion Complete, Seat Back (Vinylite) (Pleated)	211125	1	1
	Cover, Seat Back Cushion (Fibre Matting)	210789	1	
	Cover, Seat Back Cushion (Plastic and Vinylite)	210790	1	1
	Cover, Seat Back Cushion (Volta and Vinylite)	210791		1
	Cover, Seat Back Cushion (Vinylite) (Plain)	210914	1	1
	Cover, Seat Back Cushion (Stockholm, Beaumont and Richmond)	211013	1	1
	Cover, Seat Back Cushion (Tweed, Corundle Cord or Bedford)	211046	1	1
	Cover, Seat Back Cushion (Dragon Vinylite) (Pleated)	211047	1	1
	Cover, Seat Back Cushion (Vinylite) (Pleated)	211126	1	1
	NOTE: The following parts used with Stationary Seat Back.			
	Cushion Complete, Seat Back (Plastic and Vinylite)	211139		1
	Cushion Complete, Seat Back (Stockholm, Beaumont and Richmond)	211014	1	1
	Cushion Complete, Seat Back (Dragon Vinylite) (Pleated)	211042	1	1
	Cushion Complete, Seat Back (Vinylite) (Pleated)	211121	1	1
	Cover, Seat Back Cushion (Stockholm, Beaumont and Richmond)	211015	1	1
	Cover, Seat Back Cushion (Dragon Vinylite) (Pleated)	211049	1	1
	Cover, Seat Back Cushion (Vinylite) (Pleated)	211122	1	1
	Cover, Seat Back Cushion (Plastic and Vinylite)	211140		1
	30.624 - LUGGAGE SHELF TRIM PANEL			
	Panel	210863	1	1
	Fastener	202452	13	13
	Retainer	212925	1	1
	Screw, No. 10-12 x 1/2" Rd. Hd. Cr. Rec. Tap	648	3	3
	30.626 - SUN VISOR PANELS			
	Panel (Embossed Cardboard)	210792	1	1
	Panel (Cloth)	211016	2	2
	Panel (Vinylite)	211050	2	2
	Arm and Bracket (Prime)	212117	2	2
	Screw, No. 10-12 x 5/8" Ov. Hd. Cr. Rec. Tap	702	*	*
	30.630 - FLOOR MATS AND DASH INSULATING PAD			
30-10-15	Mat, Front Floor (Natural Gray)	212537	1	1
	Mat, Front Floor (Black)	212119	1	1
30-10-17	Mat, Rear Floor (Natural Gray)	212866	1	1
	Mat, Rear Floor (Black)	212994	1	
	Pad, Dash Insulating	210794	1	1
	Fastener	205063	10	10
	30.636 - TACKING STRIPS			
	Tacking Strip, Rear Deck "X" Reinforcement, Center	212871	1	1
	Tacking Strip, Rear Deck "X" Reinforcement, End	212872	2	2
	Tacking Strip, Instrument Panel	206192	2	2
	Tacking Strip, Roof Rail, Rear	212873	2	2
	Tacking Strip, Rear Quarter Lock Pillar	212874	2	2
	Tacking Strip, Roof Rail, Front	212875	2	2

BODY LIGHTING

30.700

FIGURE NUMBER	GROUP, PART NAME and DESCRIPTION	PART NUMBER	USED PER CAR MODEL	
			513	514
	30.702 - BODY WIRING HARNESS			
7-1-7	Harness (used less Deck Lid)	212609	1	1
	Harness (used with Deck Lid)	212917	1	1
	Terminal, Slip On	201458	*	*
	Terminal, Plug Type, 14-16 Gauge Wire	201214	*	*
	Terminal, Eyelet Type, No. 10 Hole, 14-16 Gauge Wire	798	*	*
	Terminal, Eyelet Type, No. 8 Hole, 14-16 Gauge Wire	860	*	*
	Sleeve, 9/64" I.D. x 1 1/2"	201459	*	*
	Sleeve, 9/64" I.D. x 1"	200998	*	*
	Grommet, Harness (Rear Deck Lid) <i>204305</i>	212539	/	1
	Clip, Harness (Rear Floor Pan)	212610	3	3
	Screw, No. 10-12 x 3/8" Rd. Hd. Cr. Rec. Tap	609	3	3
	Clip, Harness (on Rear Fenders)	201353	2	2
	Clip, Harness (on Deck Lid Hinge)	212079	1	1
	Clip, Harness (on Deck Lid Reinforcement)	205359	1	1

*As Required

BODY INTERIOR FITTINGS

FIGURE NUMBER	GROUP, PART NAME and DESCRIPTION	PART NUMBER	USED PER CAR MODEL	
			513	514
	30.802 - REAR VIEW MIRROR			
	Mirror and Bracket (Painted)	212629	1	1
	30.807 - REAR QUARTER ASH RECEIVER			
	Ash Receiver Complete (Prime)	212630	2	2
	Screw, No. 10-12 x 3/4" Pan Hd. Cr. Rec. Tap	602	4	4

NOTES

Lined area for notes.